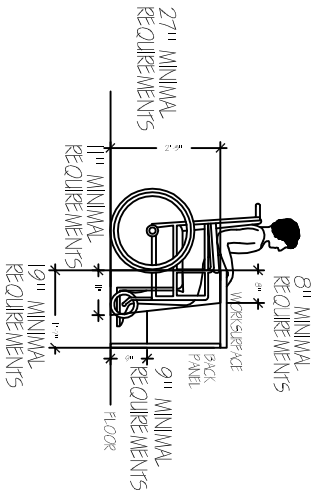
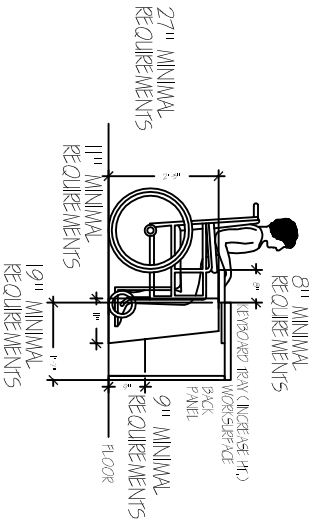


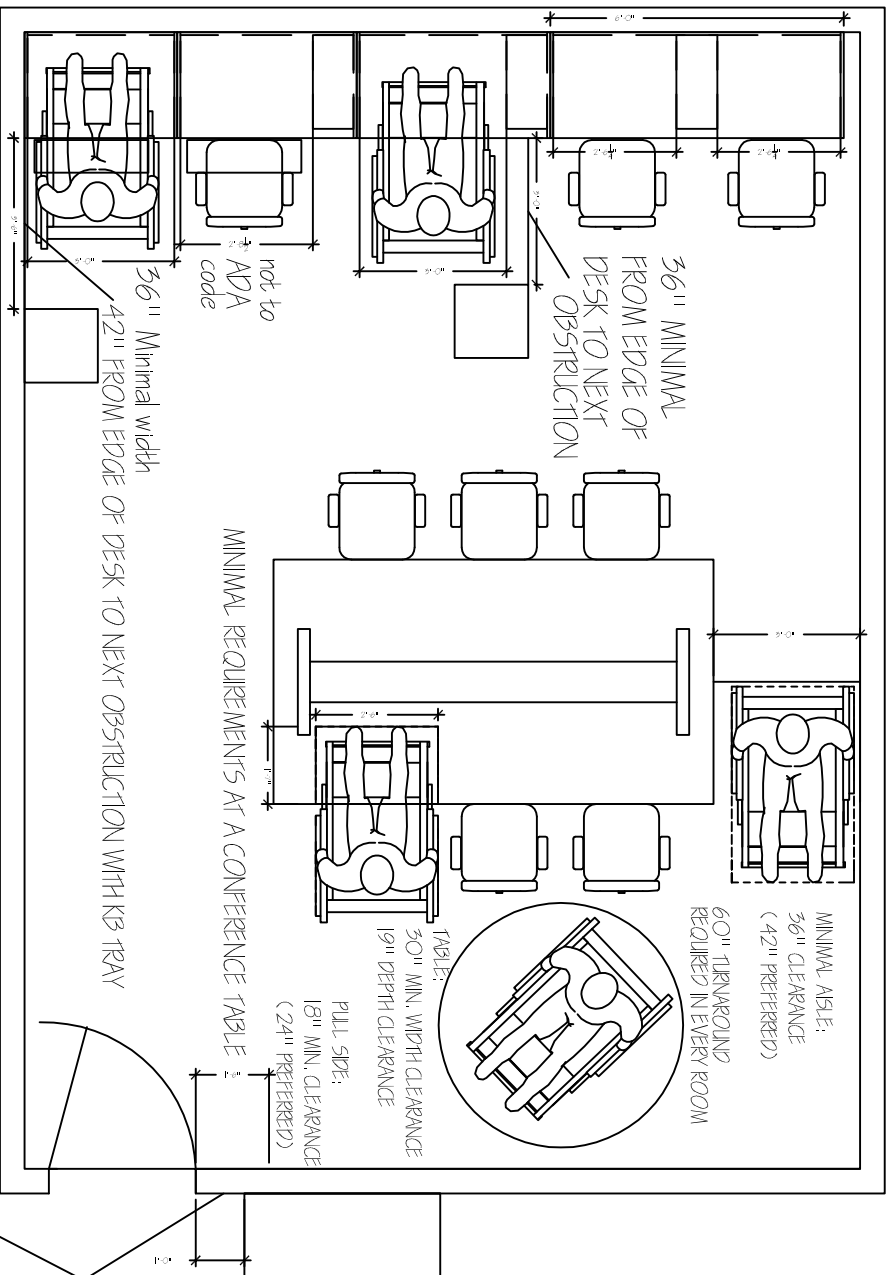
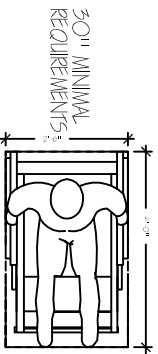
UNDER WORKSURFACE CLEARANCE:



UNDER WORKSURFACE WITH A KEYBOARD:



48" MINIMAL REQUIREMENTS



MINIMAL REQUIREMENTS AT A DESK OR COMPUTER TABLE: 36" WIDE CLEAR SPACE.

PUSH SIDE:
12" MIN. CLEARANCE

SMART desks®
DESIGN CENTER

SMARTdesks
514F Progress Drive
Lithium, MD 21090
800.770.7042
www.smartdesks.com

Property of CBT Supply, Inc. Not to be duplicated.
All ideas, plans or arrangements indicated in this drawing are copyrighted and owned by CBT Supply, Inc. and shall not be reproduced, used or disclosed to any person or firm or corporation without written permission of CBT Supply, Inc.

Revision number:	DATE	DESCRIPTION
1	11/5/2012	CLIENT ADA CODE REQUIREMENTS
2	1/10/2012	REVISION DATE
3	2/10/2012	REVISION DATE
4	3/10/2012	REVISION DATE
5	4/10/2012	REVISION DATE
6	5/10/2012	REVISION DATE
7	6/10/2012	REVISION DATE
8	7/10/2012	REVISION DATE
9	8/10/2012	REVISION DATE
10	9/10/2012	REVISION DATE
11	10/10/2012	REVISION DATE
12	11/5/2012	REVISION DATE