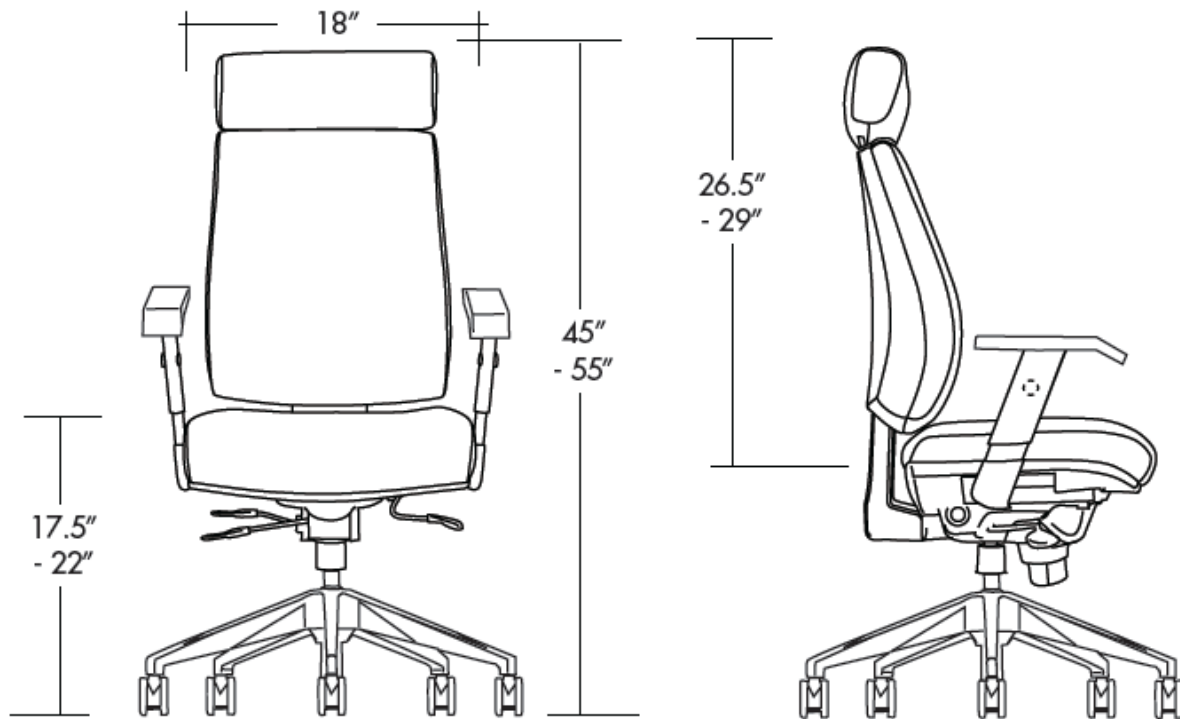


Palmer - High Back



Palmer High Back Conference Chair Specifications

SV-1549C38A7

CONSTRUCTION

Upholstery Platform:	Kiln-dried, laminated hardwood that incorporates compound curve design and "T-nut" connection hardware.
Foam:	High density, cold cured, molded, CFC-free, polyurethane foam manufactured specially for VIA using a proprietary formula to give our chairs that special initial feel and long lasting comfort.
Connection Hardware:	Inserted into the upholstery platforms are durable metal-to-metal "T-nut" connectors.
Base:	The standard base is five-star, glass filled nylon. Optional metal bases are available
Casters:	The standard casters installed on our chairs are hooded 55mm, heavy duty, twin-wheeled, carpet casters. Optional casters for hard surfaces and stationary applications are available
Testing:	All chairs have been tested to comply with, and in many cases exceed, ANSI/BIFMA standards.

comfort

Our chairs are first and foremost comfortable, but don't take our word for it. Take the tush test and feel for yourself. There's a science behind our proprietary cushion molds that encourages optimal sitting positions. So while others may look similar, they simply don't offer the initial or long-term comfort, you feel from Via.

quality

Our product development process is driven by sourcing and developing high-quality components. Details like drawstring assembly and hand-steaming of seat fabrics to deliver consistent quality help differentiate us. (Sure it's quicker and cheaper to staple—but that's not how we think.) Our production crew takes enormous pride in their work. Plus, our Forever Warranty™ covers ALL components of your chair—and that includes the “happily ever after”. Enough said.

people

Can chairs change lives? Absolutely! We are a chair family that is genuinely considerate and respectful of the people we partner with and their customer experience. That means everyone who touches our chairs or supports the person who touches our chairs is important to us (and treated like kin.) People who care with can-do attitudes are passionate about the customer experience and it shows. How sweet it is.

ergonomics

We believe chairs are the single most important factor that impact health and wellness at work. We also believe ergo chairs don't have to be ugly. We take our responsibility for ergonomics very seriously, it's an art and science we are passionate about. Our chairs are designed with optimum support, intuitive movement and ease of adjustment, and built with quality components. We are driven to deliver the best fit chair for every body type—that's spot on.

american pride

Patriotism runs deep at Via. Our chairs are manufactured in Sparks, Nevada, for our North American customers. U.S. military veterans are integral to our workforce. Service, discipline, vigilance and character are reflected in their commitment to the Via family and your seating. The hands of a veteran touch every chair—we think that's good for everyone.