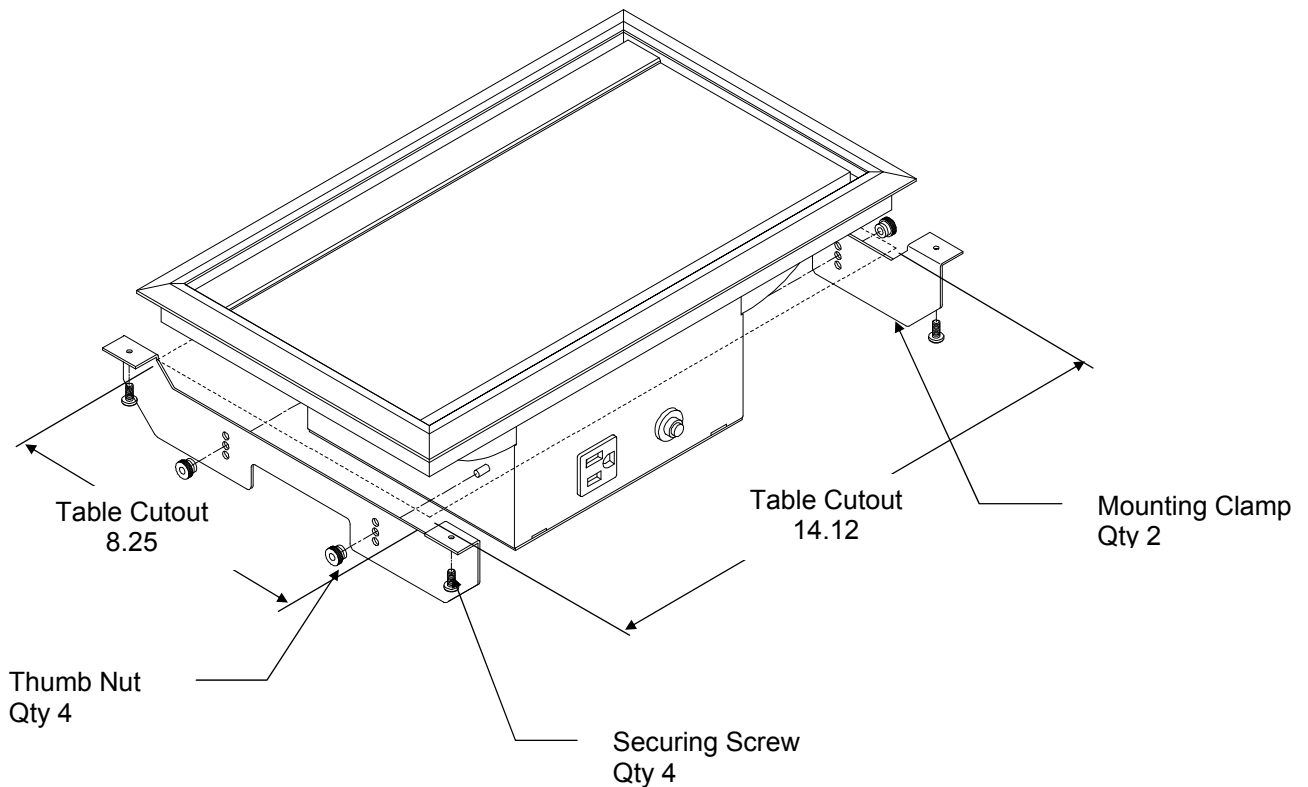


ELECTRI-WAVE MINI

Table Trough Installation Sheet



1. Cutout table as required.
2. Insert Electri-Wave Mini into cutout from above and clamp into position using Mounting Clamps, & thumb Nuts provided (Mounting Clamps have several mounting positions for use depending on table thickness)
3. Tighten Down securing screws to ensure Electri-Wave is secure in table.

SMART*desks*[®]

www.smartdesks.com

800 770 7042