

# RefreshMAT™



iPhone® Charging Case  
enables wireless charging!



## What is eCoupled Technology?

eCoupled technology is an intelligent wireless power technology that converts traditional surfaces into charging pads without the need for extraneous power cords. The technology was developed by Fulton Innovation LLC, based in Ada, Michigan. As a member of the Wireless Power Consortium, a global organization formed to develop a standard in wireless technology, they have

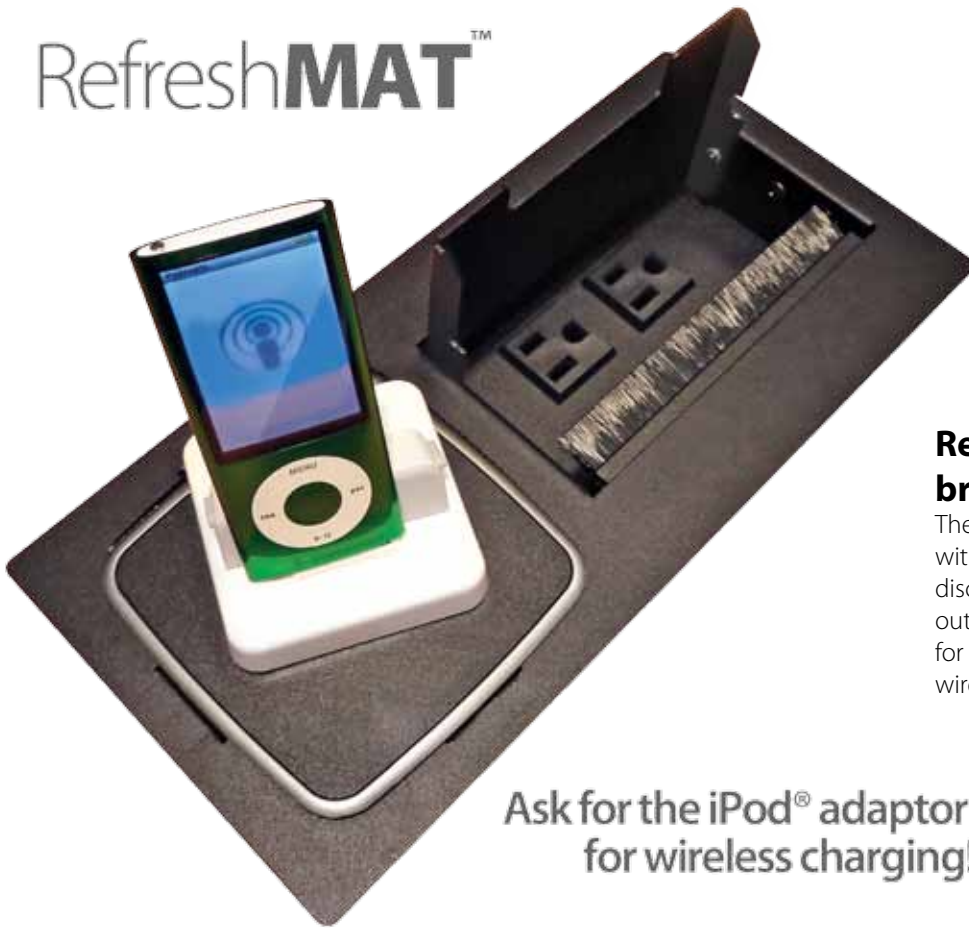
helped lead the charge toward consumer availability of the technology. In June 2010, the Consortium introduced the Qi wireless power standard for handheld devices, requiring 5 watts of power or less, such as cell phones, digital cameras or MP3 players. eCoupled technology conforms to this Qi standard and is poised to be adopted by many in the consumer electronics industry.

shaping conferencing & education<sup>sm</sup>

**SMARTdesks®**

[www.smartdesks.com](http://www.smartdesks.com)







# RefreshMAT™



Ask for the iPod® adaptor  
for wireless charging!

## RefreshMAT™ and Villa™ bring you two ways to charge

The marriage of the Villa 120VAC power base with RefreshMAT™ conceals the transformer discreetly and provides additional convenience outlets both above and below the worksurface for powering ancillary devices that are not yet wireless enabled.

Qi Wireless Charging Products Available			
<b>Energizer</b>		<b>HTC</b>	
iPhone 3G/3GS Case		*Incredible 2™	
iPhone 4 Sleeve		*ThunderBolt™	
Blackberry 8900 Curve Door		* HTC Rhyme™	
<b>Samsung</b>		<b>Pantech</b>	
*Samsung DROID CHARGE		*Breakout	
<b>Motorola</b>		<b>LG</b>	
*DROID Bionic		*Revolution™	
*DROID 3		* = Verizon cell phones only	

Wireless Villa Ordering Information		
<b>Wireless Villa Kits</b>		
VIL2-E-C-PB-L-K	Kit Includes: Villa grommet with eCoupled Wireless Power, Villa II power base, 2 power above, 2 power below with convenience receptacle, No data	Black
VIL2-E-C-PS-L-K		Silver
VIL2-E-C-DB-L-K	Kit Includes: Villa grommet with eCoupled Wireless Power, Villa II power base, 2 power above, 2 power below with convenience receptacle, 2 RJ45 cat 6 data	Black
VIL2-E-C-DS-L-K		Silver
* Change L to appropriate cable length—36", 72", 108"		

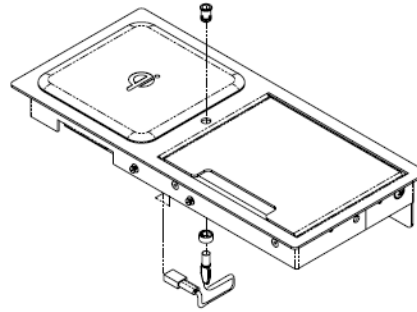
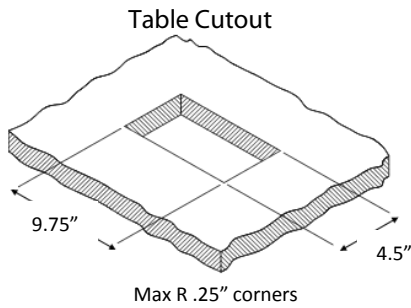
shaping conferencing & education<sup>sm</sup>



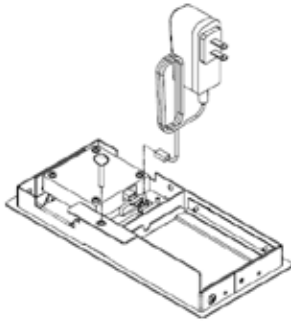
www.smartdesks.com

# Refresh<sup>TM</sup>MAT<sup>TM</sup> Villa

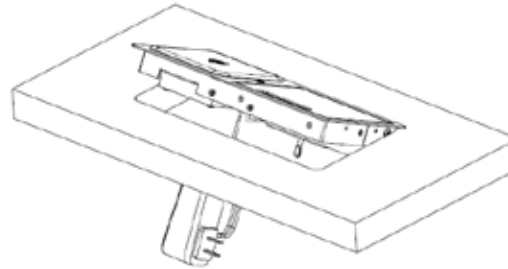
## INSTALLATION INSTRUCTIONS



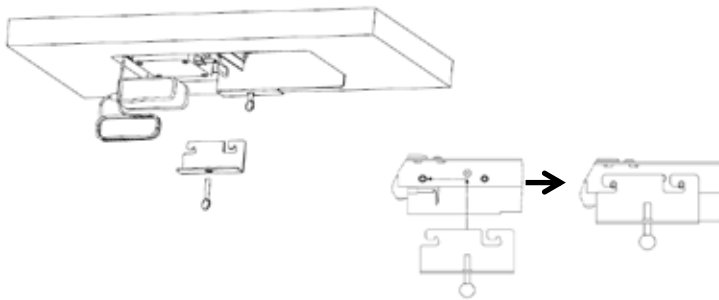
1. Slide ring from LED panel mount onto LED bulb
2. Press LED panel mount into hole in Villa Grommet
3. Push LED bulb into panel mount from below Villa Grommet
4. Slide ring up until flush with metal



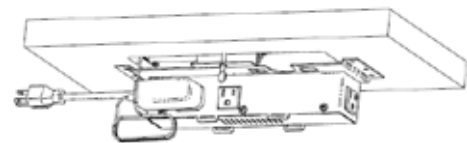
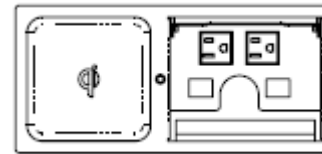
5. Plug in LED bulb and power supply into eCoupled module
6. Install thumb screw into hole provided 1-2 turns



7. Slide back of Villa grommet into the opening in the work surface at an angle
8. Drop front of Villa grommet into the opening until flat with table surface



9. From underneath the work surface, slide Mounting clamp onto pins on side of Villa Grommet
10. Install thumbscrew into hole provided in clamp
11. Tighten both thumbscrews against underside of work surface until snug



12. Locate Villa 2 Power unit so that the power receptacles are centered to the back of the grommet opening
13. Secure Villa 2 power unit to under side of work surface using appropriate hardware (supplied by others)

shaping conferencing & education<sup>sm</sup>

**SMARTdesks<sup>®</sup>**

www.smartdesks.com