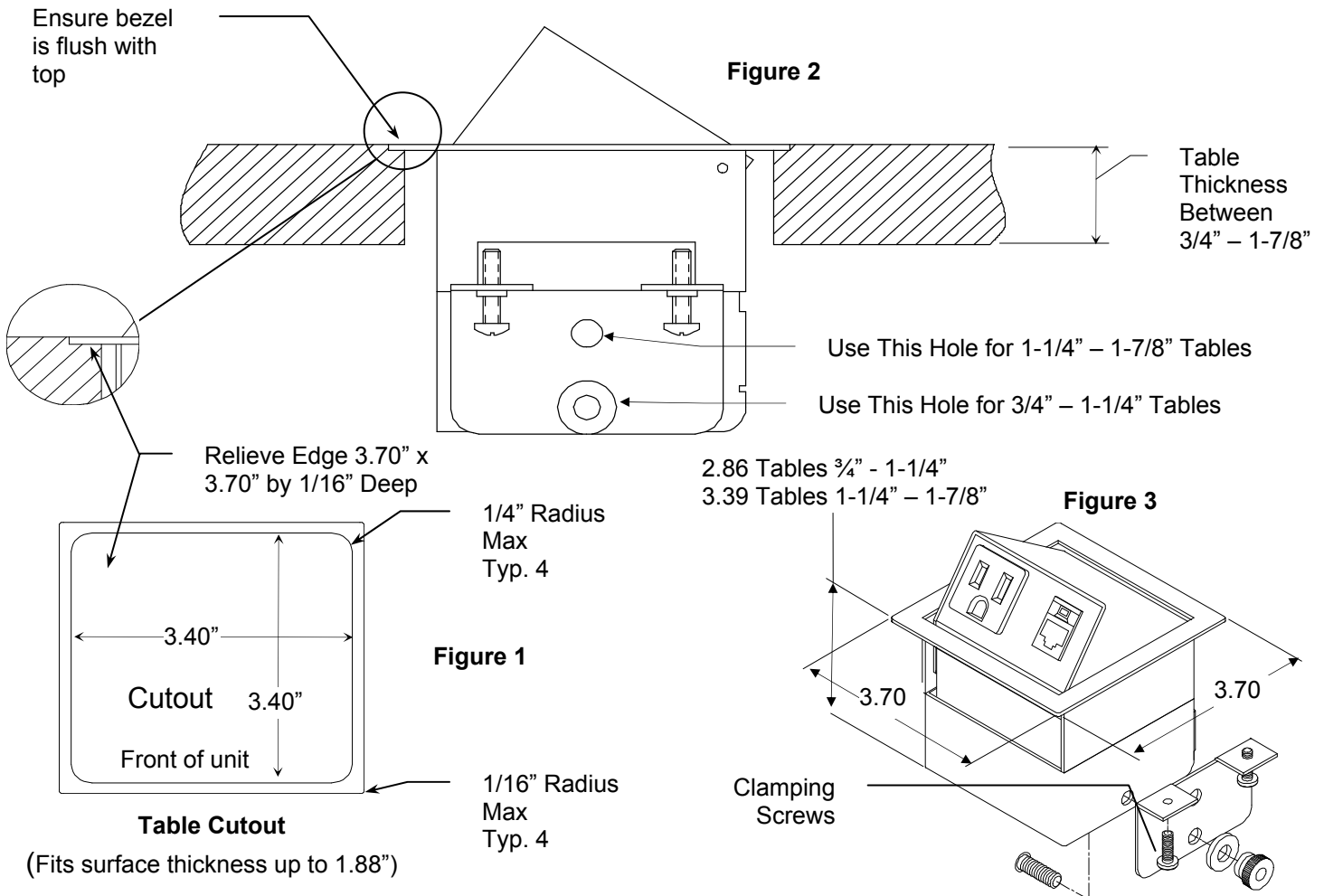


Top Notch 2 Installation Sheet



Installation Instructions

1. Follow the illustration in Figure 1 for cutout size in table as well as the area that gets relieved down to a depth of 1/16".
2. Insert Top Notch 2 into cutout and using threaded studs, washers and plastic nuts secure clamp to Top Notch 2 using appropriate hole in clamps, see Figures 2 & 3.
3. After clamp is in place insert and tighten down on clamping screws to firmly secure Top Notch 2 in table cutout.
4. The Top Notch 2 comes pre-wired for both the power and the data; therefore no internal connections are required. Simply connect cords as needed.
5. Check for proper operation and movement of the Top Notch 2.