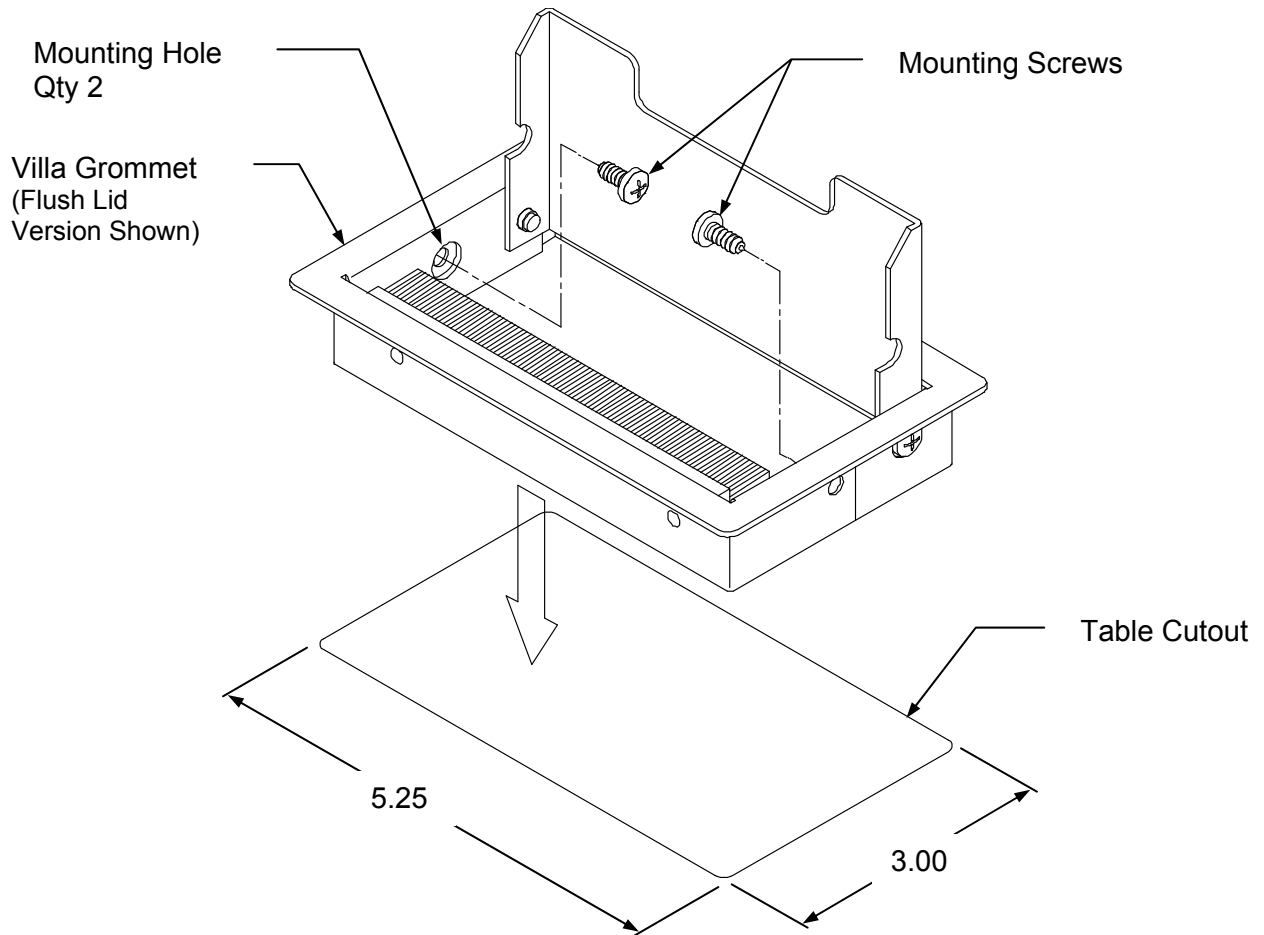


Villa Grommet Installation Sheet



Installation Instructions

1. Provide 5.25" x 3.00" cutout in work surface at location Villa Grommet will be mounted (note max corner radius 1/8").
2. Install Villa Grommet into cutout; be sure Villa Grommet is fully seated.
3. Insert mounting screws through Villa Grommet mounting holes and into work surface as shown.
4. Ensure lid pivots freely through the entire motion (for versions with lids only).

www.smartdesks.com
800 770 7042

SMARTdesks®

Recycled Content Information

	Villa Grommets	Villa Grommets Aluminum
Post-Consumer Content	27.60%	27.30%
Pre-Consumer Content	7.20%	13.60%
Total % qualifying toward LEED®	31.10%	34.10%