

BI-LEVEL TABLE ASSEMBLY INSTRUCTIONS



Assembled front view.

Note that computer components are not included and are shown for demonstration purposes only.

Assembled approach view.



SMARTdesks[®]

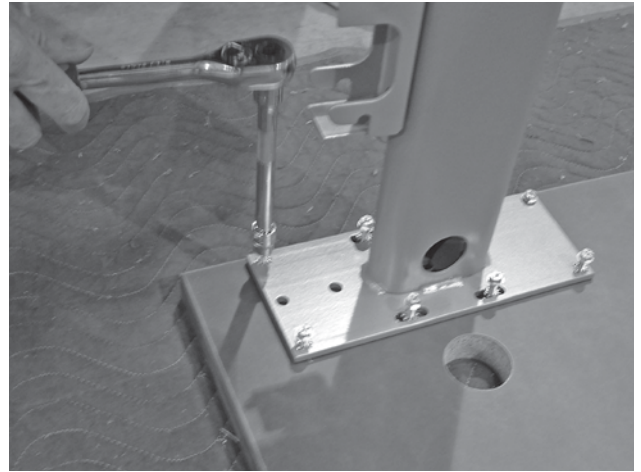
www.smartdesks.com

BI - LEVEL TABLE ASSEMBLY INSTRUCTIONS

Place the table top on a carpeted floor, or a packing blanket, inserts face up. Avoid scratching the top.

Using 1/4-20 hex head, Phillips drive bolts, install the legs.

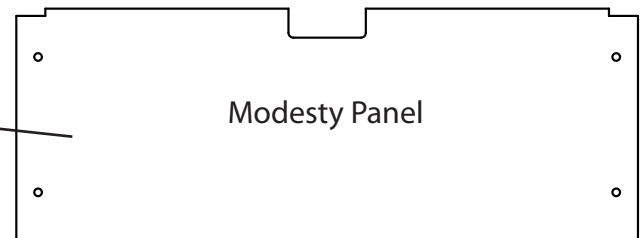
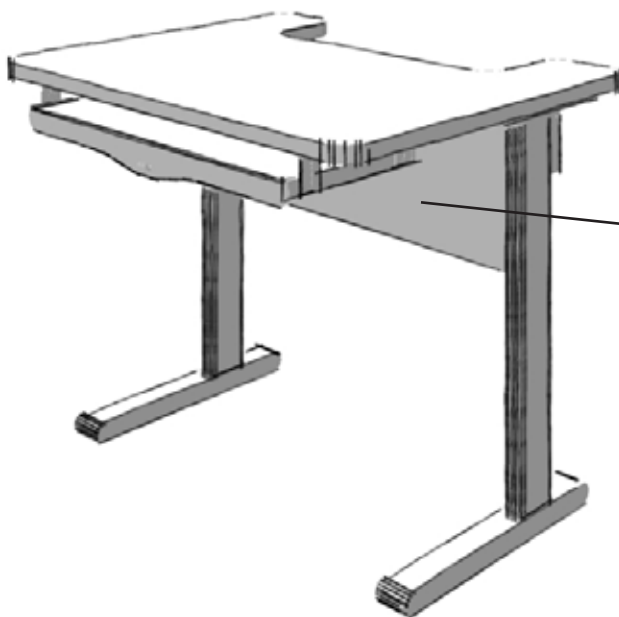
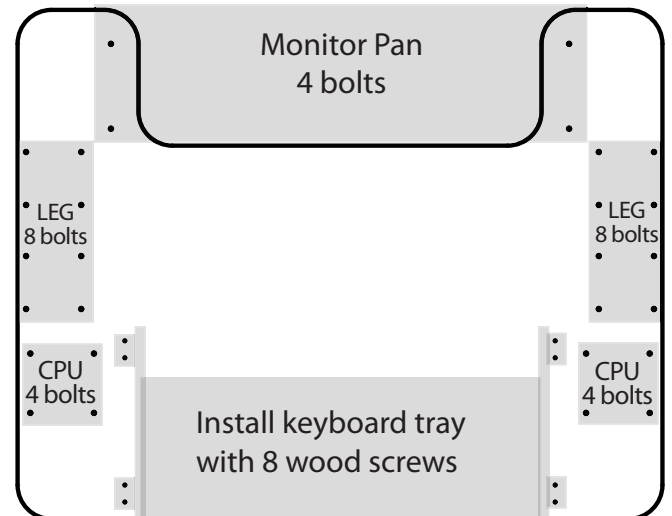
Using Hafle barrel bolts, install the modesty panel to the legs.



Install the monitor pan to the top inserts on either side of the monitor notch using 1/4-20 bolts.

Install the keyboard tray, using #8 wood screws, provided.

Install the CPU holder on the right or left using 1/4-20 bolts into the set of inserts in front of the leg bracket.



Install modesty panel to legs using Hafle barrel bolts BEFORE installing the Monitor Pan.

