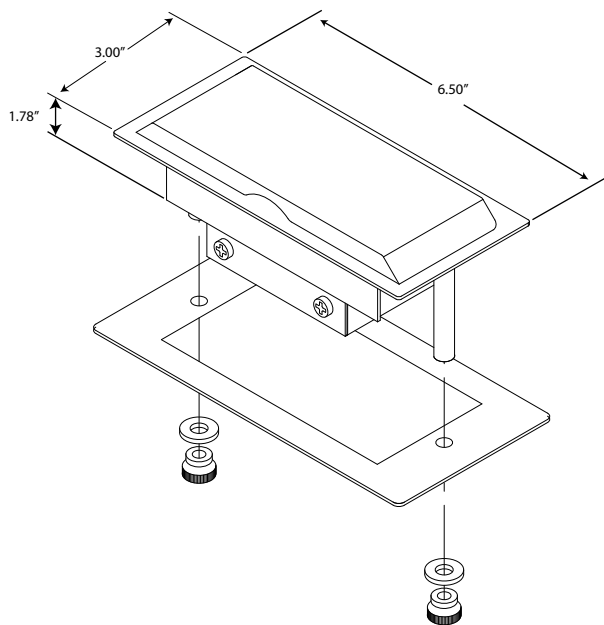


comPort™ INLET™



The Inlet is a 2 power, 2 data table top unit ideal for training table and educational applications. Made of powder coated steel, the Inlet is designed to be more durable than traditional plastic products. It fits into a 2.5" x 6" rectangular cutout making retrofitting existing products convenient and easy. Custom data configurations and finishes are available upon request.

Installation Instructions



- Cutout table 6.00" x 2.50" to fit Inlet
- Remove the mounting clamp from the Inlet by unscrewing the thumb nuts and washers
- Make any required data connections
- Feed all wiring through cutout and place Inlet on table over cutout
- Reattach mounting clamp and secure in place using thumb screws and washers
- Plug in Inlet and make data connections as needed

TABLE SPECIFICATIONS

Cutout = 2.50" x 6.00"
Minimum Thickness = .75"
Maximum Thickness = 1.75"

Product Specifications

- All steel construction.
- Standard finishes are black or silver pearl powder coat.
- 2 power receptacles and two data (RJ-11/45) cutouts standard, data jacks sold separately.
- 9' power cord with molded plug standard. Other lengths available.
- UL Listed.

Product Ordering Information

INLET	Table top unit with 2 power receptacles and cutouts for 2 RJ45 cat 6 connectors (Connectors not included). 108" cord with molded plug. Constructed of powder coated steel with Black textured finish.
INLET SP	Table top unit with 2 power receptacles and cutouts for 2 RJ45 cat 6 connectors (Connectors not included). 108" cord with molded plug. Constructed of powder coated steel with Silver Pearl finish.
INLET BB	Table top unit with 2 power receptacles and 2 RJ-45 cat 6 connectors. 108" cord with molded plug. Constructed of powder coated steel with Black textured finish.
INLET BB SP	Table top unit with 2 power receptacles and 2 RJ-45 cat 6 connectors. 108" cord with molded plug. Constructed of powder coated steel with Silver Pearl finish.

www.smartdesks.com
800-770-7042