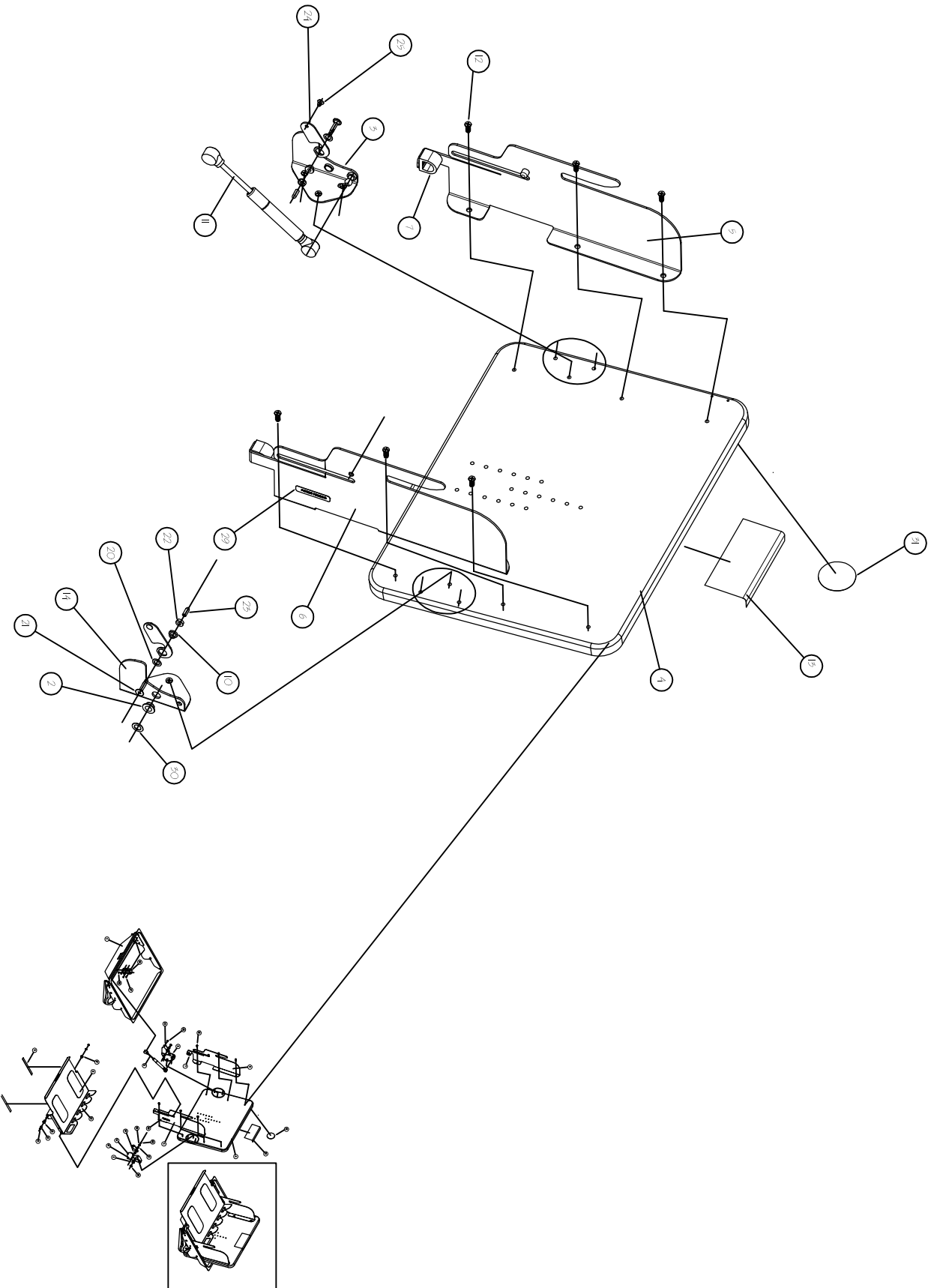


| ITEM NO. | QTY. | PART NUMBER | TITLE | ITEM NO. | QTY. | PART NUMBER | TITLE |
|----------|------|-------------|-----------------------------|----------|------|-------------|----------------------------|
| 1 | 1 | 29525 | GROMMET / SUBASSEMBLY | 17 | 12 | 28165 | EURO SCREW - HAFELLE |
| 2 | 2 | 27332 | BUSHING | 18 | 1 | 29502 | GAS SPRING, 80 lbs. |
| 3 | 1 | 29506 | LH ARM CATCH ASSY. | 19 | 2 | 29508 | SPACER PLATE |
| 4 | 1 | 29505-RH | ARM FOR LAPTOP FLIP-IT | 20 | 2 | 29507 | PANEL RIVET |
| 5 | 1 | 28195-XX | TOP LIP | 21 | 4 | 29509 | M5 X 10mm TAPPING SCREW |
| 6 | 1 | 28443-RH | SLOTTED SIDE ASSEMBLY | 22 | 2 | 29497 | SCREW |
| 7 | 1 | 28443-LH | SLOTTED SIDE ASSEMBLY | 23 | 2 | 29501 | WAFER HEAD #3 SCREW |
| 8 | 1 | 29518 | LAPTOP TRAY / STOP PIN ASSY | 24 | 2 | 29500 | WASHER |
| 9 | 1 | 29513 | TRACK SPACER BUSHING | 25 | 2 | 19156 | BUSHING |
| 10 | 2 | 29503 | WASHER | 26 | 2 | 29499 | VINYL CAP |
| 11 | 2 | 29512 | TINNERMAN 1 / 4" SHAFT | 27 | 1 | 29498 | LAPTOP FLIP-IT LABEL |
| 12 | 2 | 28450 | 6" ANTI SCRATCH TAPE | 28 | 1 | 29504 | NON-MAGNETIC TOUCH LATCH |
| 13 | 1 | 29511 | SLIDER BUSHING SPACER | 29 | 1 | C2047 | WASHER |
| 14 | 2 | 18399 | #10-24 KEPS NUT | 30 | 1 | 26764 | PATENT PENDING LABEL |
| 15 | 2 | 27896 | ANTI-SLIP PAD | 31 | 1 | 29510 | LAPTOP FLIP-IT PRESS LABEL |
| 16 | 2 | 28449 | BLACK FOAM BUMPER | | | | |

WK# 29496 - FILL LAPTOP 18" (1 out of 4)

March 2009

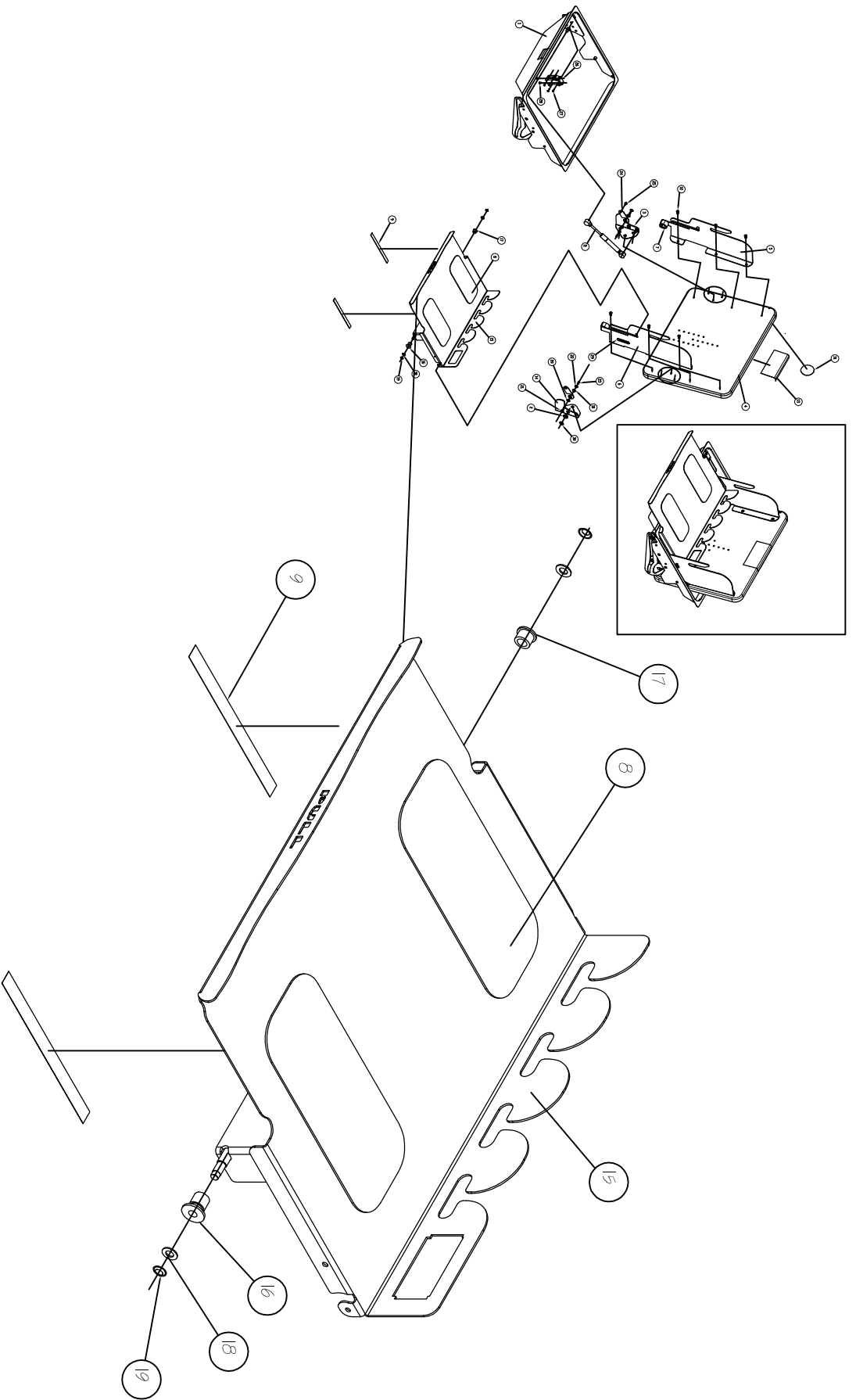


WK# 29496 - FL LAPTOP 18" (2 out of 4)

March 2009

© 2009 CBT Supply, Inc. dba SMARTdesks. All Rights Reserved.

SMARTdesks™

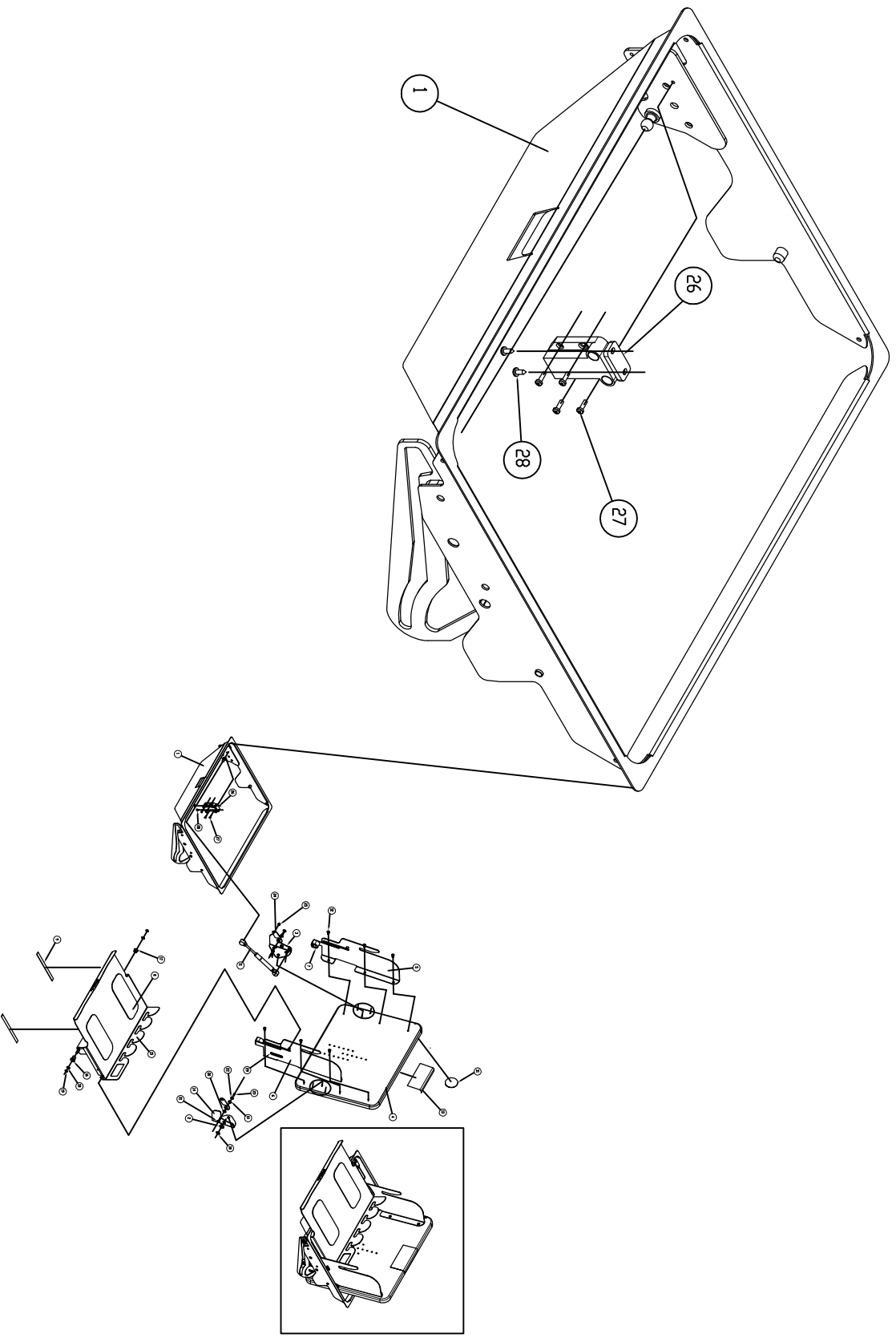


WK# 29496 - FL LAPTOP 18" (3 out of 4)

March 2009

© 2009 CBT Supply, Inc. dba SMARTdesks. All Rights Reserved.

SMARTdesks™



WK# 29496 - FL LAPTOP 18" (4 out of 4)

March 2009

© 2009 CBT Supply, Inc. dba SMARTdesks. All Rights Reserved.

