

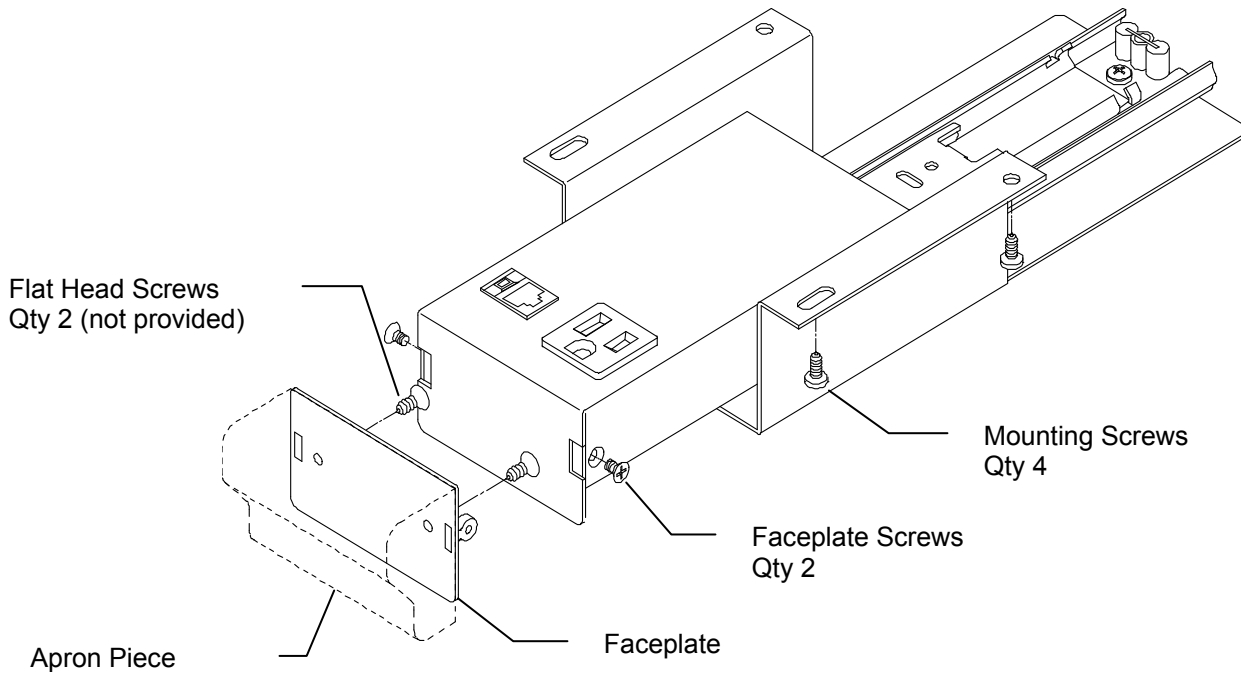


GlideAway



www.smartdesks.com
800 770 7042

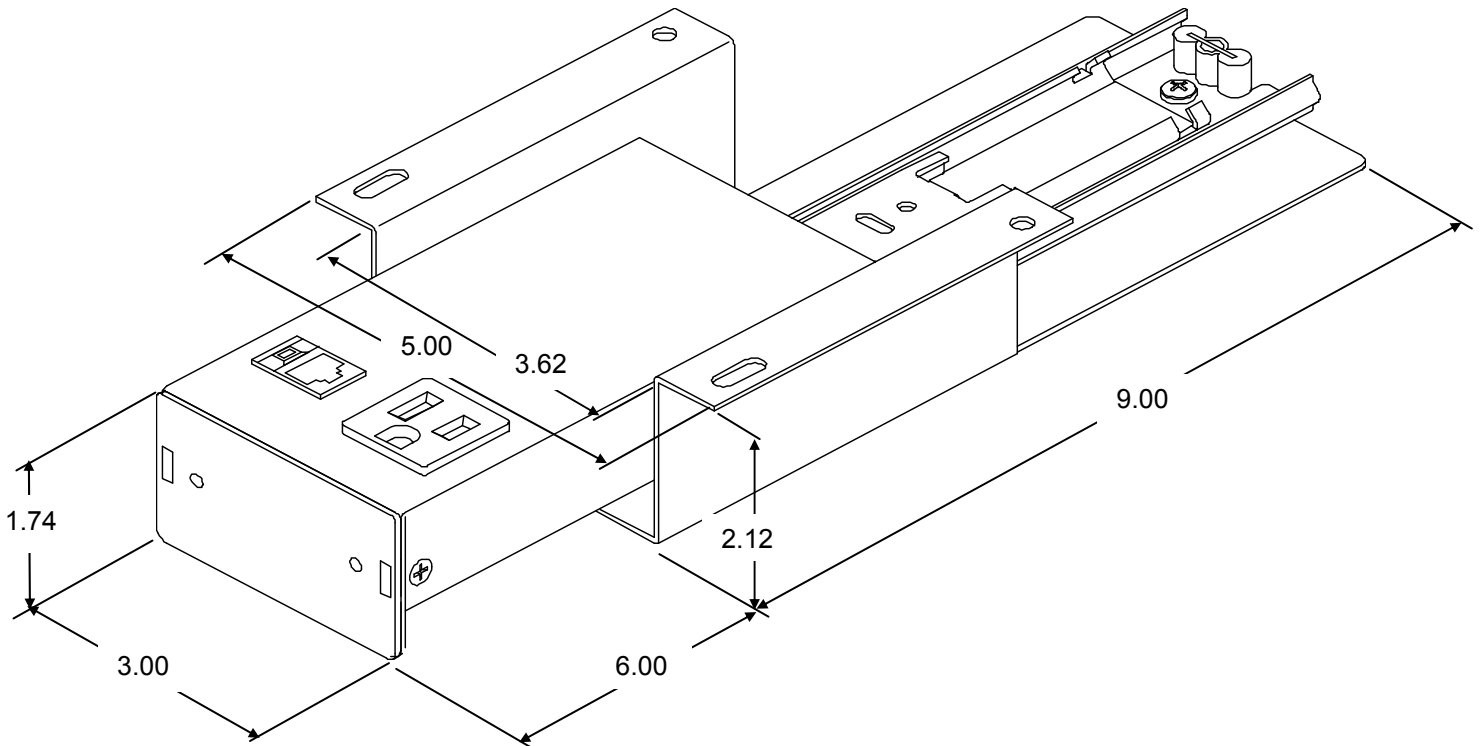
Glide-Away Installation Sheet



Installation Instructions

1. Determine position for Glide-Away and cutout notch in apron accordingly (minimum width = 3 $\frac{1}{4}$ ").
2. Center Glide-Away on opening with Faceplate flush with rear of apron and secure to underside of table with screws (not provided).
Note: Use only 2 front screws at this point to allow for adjustment after Apron Piece is attached.
3. Remove Faceplate by removing Faceplate Screws (retain screws for latter use).
4. Mount Apron Piece to Faceplate using 2 flat head screws (not provided).
5. Remount Faceplate, with Apron Piece attached, using screws from step 3 (use caution not to strip screws).
6. Adjust front of Apron Piece to be flush with remainder of apron and install 2 rear mounting screws (ensure slide is fully retracted before adjusting).
7. Coil or dress wires under table to be sure that no wear will occur during operation.
8. Test Glide-Away for smooth operation.

Glide-Away Specification Sheet



Product Specifications

- Standard finish is black powder coat.
- Available with 1 or 2 power receptacles.
- Supplied with 72" power cord, other lengths available upon request.
- Available with RJ45 or RJ11 data jacks with 72" patch cords
- Mounts to underside of table.
- Faceplate is easily removable for mounting into a table apron.
- Heavy duty ball bearing slide action – extends 6"

Glide-Away Ordering Information

Glide-Away Standard Product Configurations	
Ordering Number	Product Configuration
GLIDE-AWAY A	Undertable unit, 1 power, 1 RJ-11 cat 3 connector, 72" patchcord, 72" power cord, black textured finish.
GLIDE-AWAY B	Undertable unit, 1 power, 1 RJ-45 cat 6 connector, 72" patchcord, 72" power cord, black textured finish.
GLIDE-AWAY BB	Undertable unit, 2 power, 2 RJ-45 cat 6 connectors, 72" patchcord, 72" power cord, black textured finish.