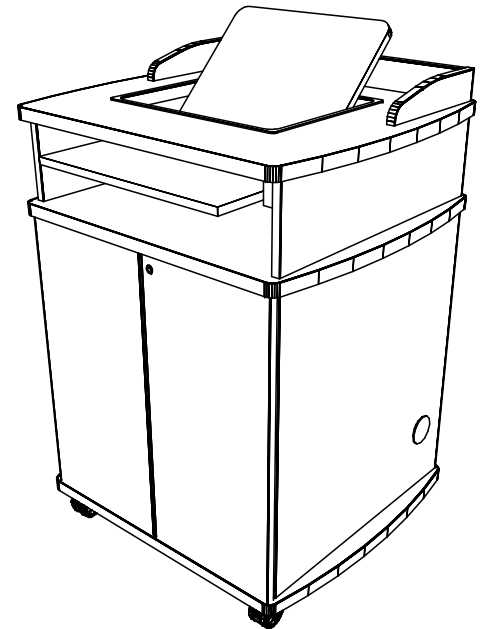
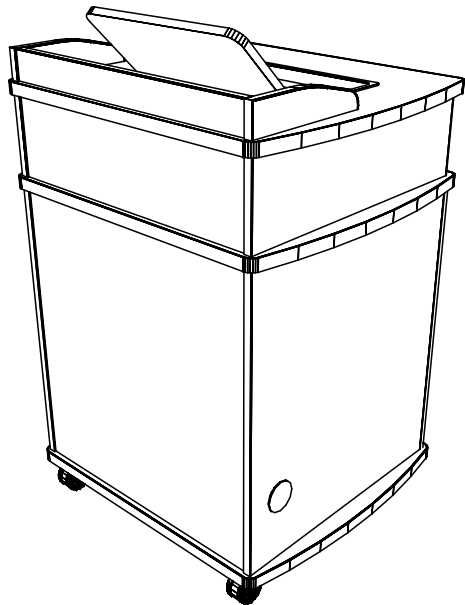
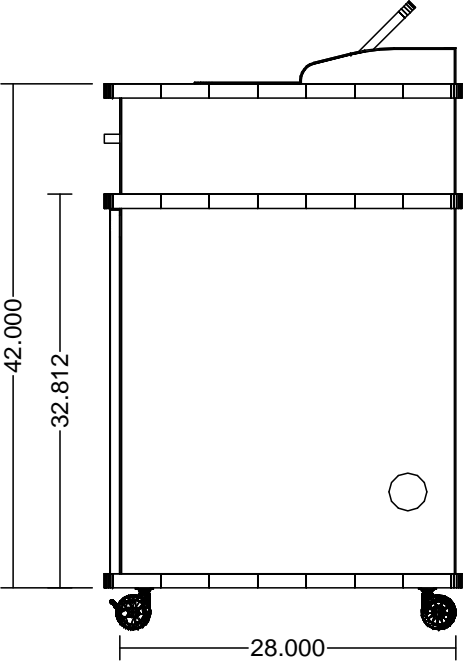
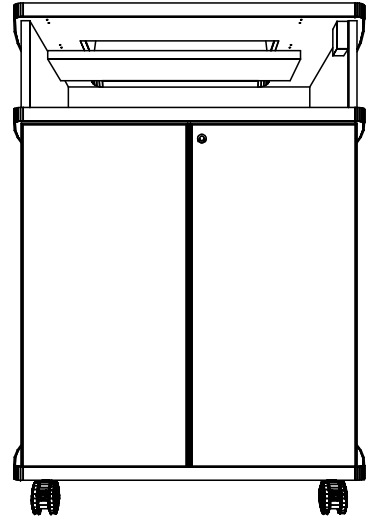
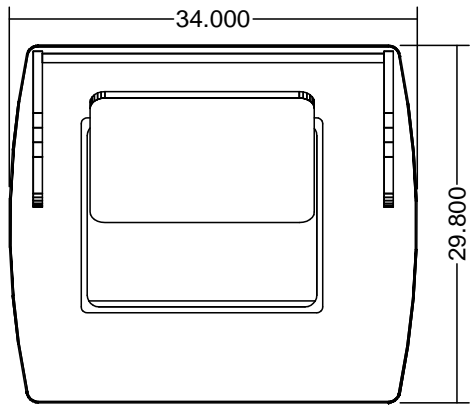
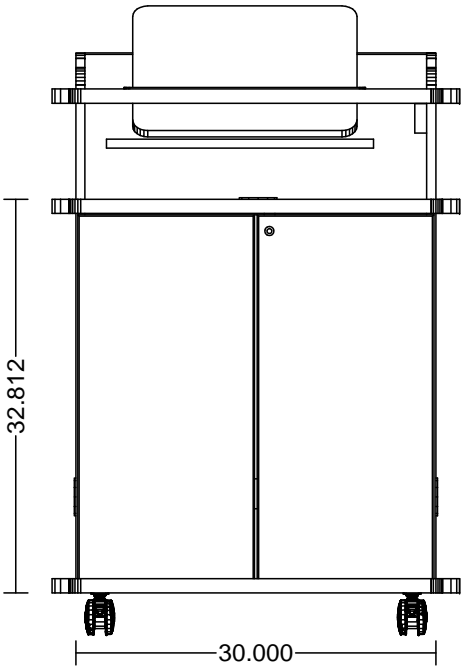


MATERIAL:
 FINISH:
 EDGE:



REVISIONS				TOLERANCES	PART NAME	
SYM	DATE	BY	DESCRIPTION	UNLESS SPECIFIED OTHERWISE	MFI-302842-K18	
				DECIMALS	DATE:	DRWN BY:
				.X : _____	SCALE:	CAD NO.:
				.XX : _____	CHK'D BY:	CNC NO.:
				.XXX : _____	NOTICE: This drawing is the property of CBI Supply, Inc. dba SMARTdesks and contains proprietary information that is not to be used except in the consideration of bids or proposals tendered herewith. Reproductions or copying of the drawing, in whole or in part, is prohibited.	
				ANGLE : _____	PRODUCT GROUP	
					DRAWING NO. PO# S499	
					REV.	

SMARTdesks™
 514F Progress Drive
 Linthicum, MD 21090
 800.770.7042
 www.Smartdesks.com