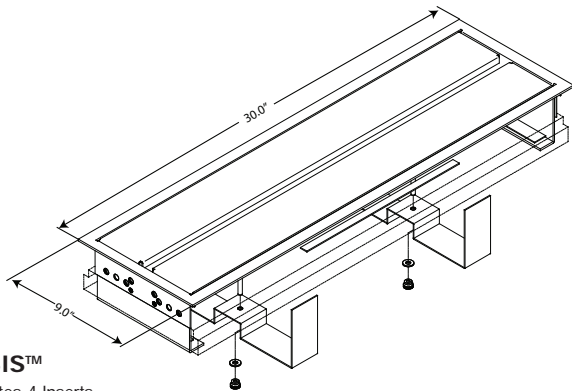


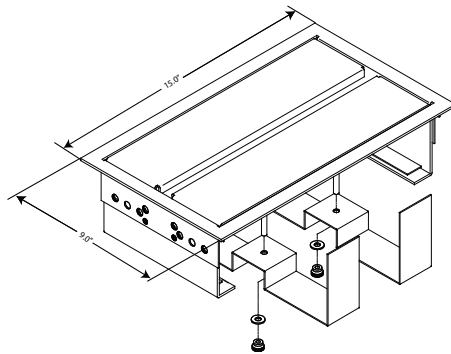


The Oasis family of decorative table troughs are packed with style, power and data capabilities. Their modern design provides an elegant solution for designers or manufacturers looking for a fresh alternative to traditional designs. Oasis troughs lie flush within the table surface and incorporate an integral two door aluminum lid which retracts into the table when opened to maximize table work surfaces and compliment any table design. Fully flexible, Oasis troughs can be customized with up to 16 power receptacles or 12 fully configurable telecom plates depending on your individual requirements.

Product Specifications



OASIS™
Accommodates 4 Inserts



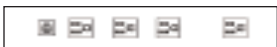
OASIS™ MINI
Accommodates 2 Inserts



OASIS DAT INSRT – Insert to accept 3 customizable data plates.



OASIS P/D INSRT – Insert with 3 power receptacles and cutout for 1 customizable data plate. UL Listing pending



OASIS PWR INSRT – Insert with 4 power receptacles. UL Listing pending

TABLE CUTOUT SIZES

	Oasis	Oasis Mini
Cutout Width*	8.25"	8.25"
Cutout Length	29.12"	14.12"

* See Cutout Detail on Installation Sheet for undercuts for door clearance.

Shipping Info:
Oasis: 21 Lbs.
Oasis-Mini: 15 Lbs.
Carton size for either:
31x15x10

Product Ordering Information

- OASIS A** Oasis 30" trough with 8 power receptacles and 6 telecom plate cutouts. Telecom plates purchased separately. Aluminum/Silver Pearl Finish.
- OASIS B** Oasis 30" trough with 12 power and 4 telecom plate cutouts. Telecom plates purchased separately. Aluminum/Silver Pearl Finish.
- OASIS UT** 30" undertable unit, trough only, Silver Pearl finish, Lids to be provided by furniture manufacturer. Multiple units can be stacked together for any length trough.
- OASIS-MINI A** Oasis Mini 15" trough with 6 power receptacles and 2 Telecom plate cutouts. Telecom plates purchased separately. Aluminum/Silver Pearl finish.
- OASIS-MINI B** Oasis Mini 15" trough with 4 power receptacles and 3 Telecom plate cutouts. Telecom plates purchased separately. Aluminum/Silver Pearl finish.
- OASIS-MINI UT** 15" undertable unit, trough only. Silver Pearl finish.

BUILD YOUR OWN OASIS – OASIS INSERT OPTIONS
Select 4 Inserts for the Oasis and 2 inserts for the Oasis-Mini to create your own custom table trough.
Customized telecom plates are purchased separately

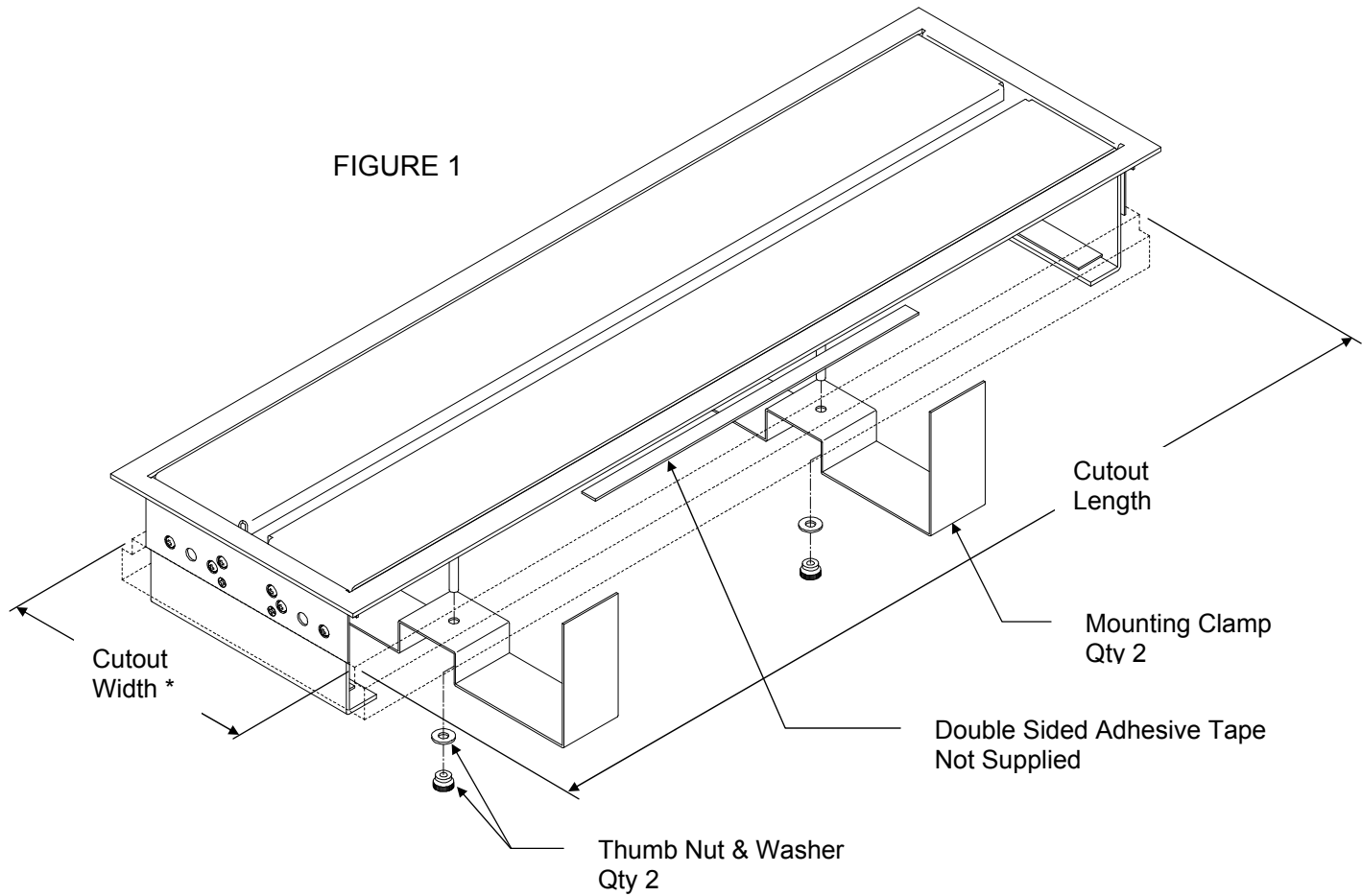
- OASIS** 30" Trough with Aluminum Lids – Inserts sold separately – select four from below.
- OASIS MINI** 15" Trough with Aluminum Lids – Inserts sold separately – select four from below.

OASIS INSERTS

- OASIS PWR INSRT** Four power receptacles
- OASIS DAT INSRT** Insert with cutout for three customized telecom plates
- OASIS P/D INSRT** Insert with three power receptacles and cutout for one customized telecom plate
- OASIS PAN** Outer Pan covering for concealing the bottom of the Oasis trough when installed in a table. Black powder coated finish.
- OASIS-MINI PAN** Outer Pan covering for concealing the bottom of the Oasis-Mini trough when installed in a table. Black powder coat finish.

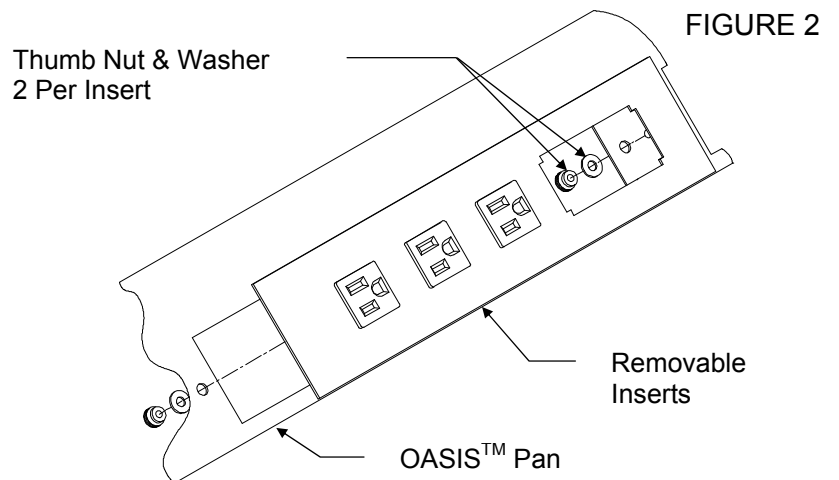
Innovative Power + Data Solutions

OASIS™ & OASIS™ MINI Table Trough Installation Sheet

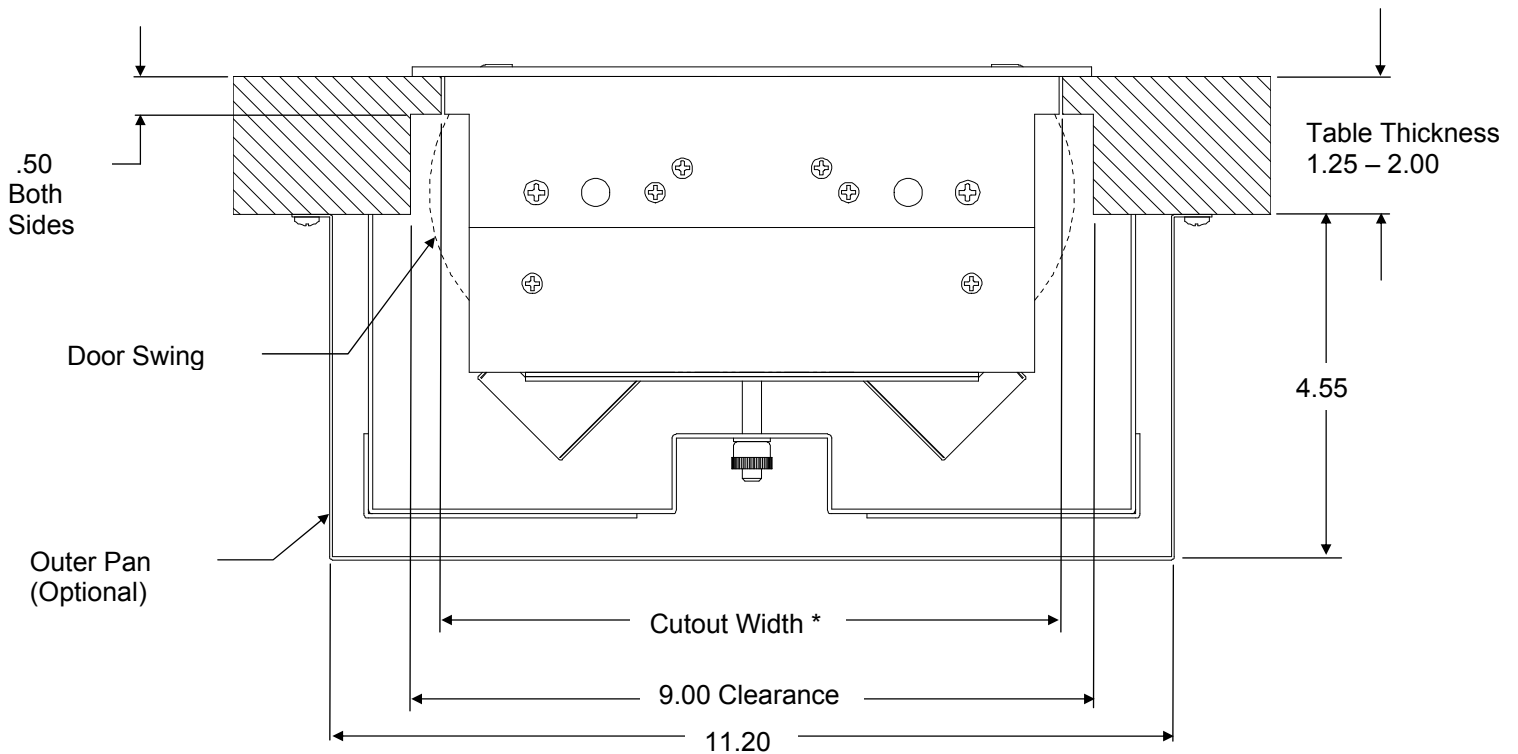


CUTOUT SIZES		
	Oasis	Oasis Mini
Cutout Width*	8.25	8.25
Cutout Length	29.12	14.12

* See Cutout Detail for undercuts for door clearance.



CUTOUT DETAIL



Installation Instructions

1. Cutout table as required (see Figure 1, Cutout Sizes & Cutout Detail)
2. Insert OASIS™ into cutout from above and clamp into position using Mounting Clamps, Washers & thumb Nuts provided (double sided tape may be required to prevent side of Bezel from bowing when in table).
3. Check for smooth operation of doors and adjust in cutout if required.
4. OASIS™ Inserts have been installed at the factory but may be repositioned in the field if desired. To reposition OASIS™ Inserts remove thumb nuts & washers from rear and reposition as needed (see Figure 2).
5. Connect all power & data cabling as needed and check for proper operation.
6. Attach Outer Pan (optional) to underside of table as shown in Cutout Detail.