



SMARTdesks™ LT Series Product Specs

SLT-302436-xxL Single Laptop Workstation With Power/Data Ports (Adult Stand-up)

Materials and Construction Specifications

Top Surface - 0.048" thick, high-pressure laminate (exceeds performance requirements of NEMA 3-1995 Grade HGS) bonded to 30mm thick 50 lb. medium density particleboard with phenolic resin impregnated backer sheet. All edges are banded in 3mm thick, color-thru PVC mechanically applied under pressure and heat.

Power/Data Port – A 3.25" x 6.375" flush-mounted case with retractable lid houses duplex outlet and two Cat.5 data ports.

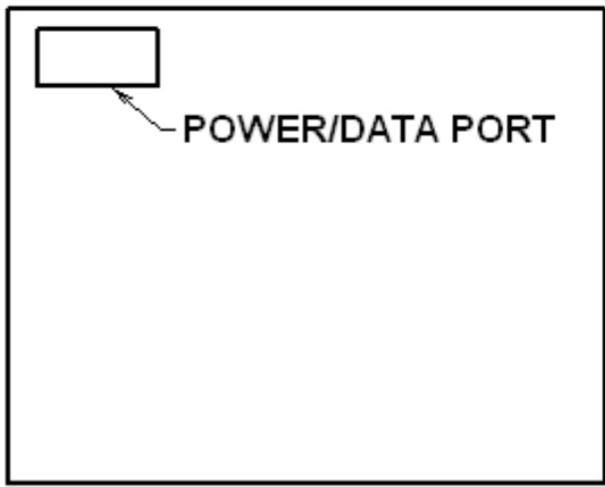
Base Panels - 0.020" thick melamine coated finish thermally fused to both sides of 19mm thick 47 lb. medium density particleboard. All exposed edges (including bottom edges in contact with the floor - to prevent water damage) are banded in 3mm thick, color-thru PVC mechanically applied under pressure and heat.

Construction – European 32mm woodworking technology employing steel-to-steel pin and cam connections (thru-drilled for full panel integrity) where needed to provide durability, ease of assembly and modularity.

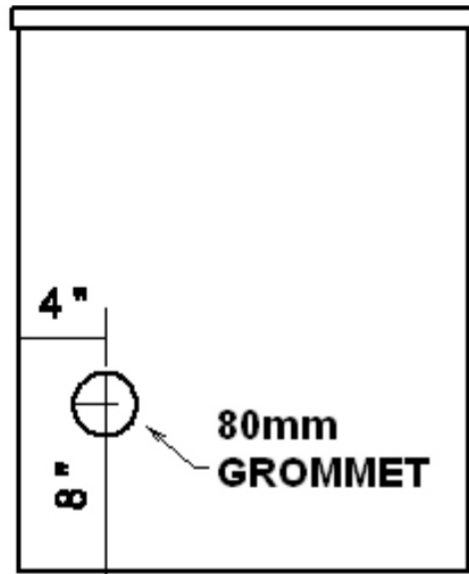
Ventilation – Panels are assembled to permit adequate airflow around components.

Floor Glides - All units are provided with standard adjustable 1¼" steel leveling glides with vinyl shield attached to metal inserts in the vertical support panels. 3/4" height adjustment range.

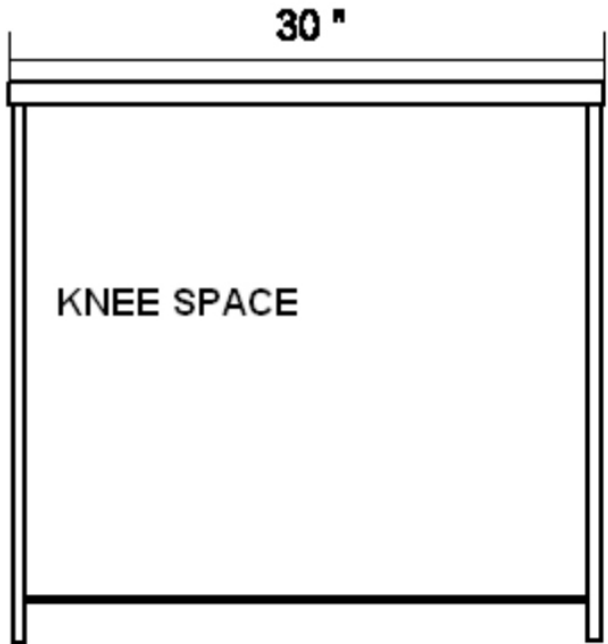
Integral Wire Management™ - Vertical and horizontal wire channeling, 80mm side access grommets are positioned to align with other components and wall power/data access points.



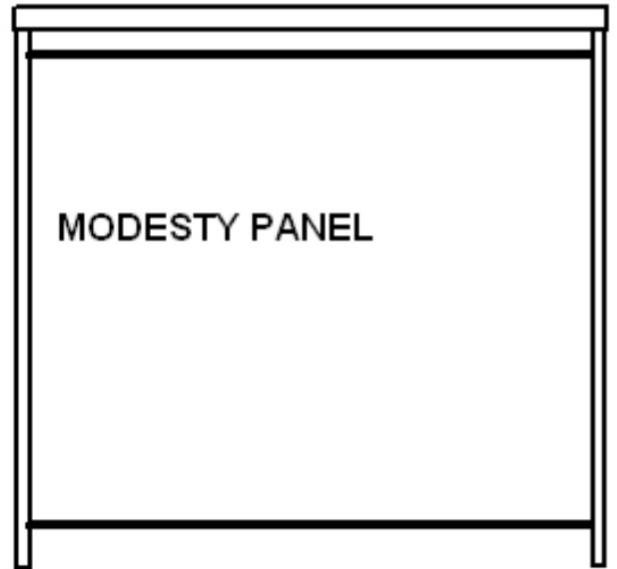
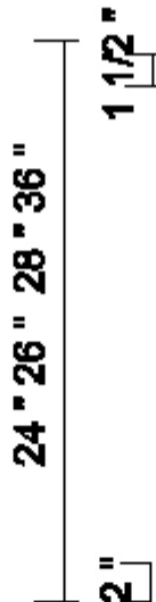
TOP



SIDE



FRONT



REAR