



## SMARTdesks™ MPLEX™ Product Specs

---

### MLT-542642-xxL Double Bay Multimedia Lectern for Laptop Computer

#### Materials and Construction Specifications

**Top Surface** - 0.048" thick, high-pressure laminate (exceeds performance requirements of NEMA 3-1995 Grade HGS) bonded to 30mm thick 50 lb. medium density particleboard with phenolic resin impregnated backer sheet. All edges are banded in 3mm thick, color-thru PVC mechanically applied under pressure and heat. Power/Data Port with duplex outlet and two cat.5 ports mounted in worksurface.

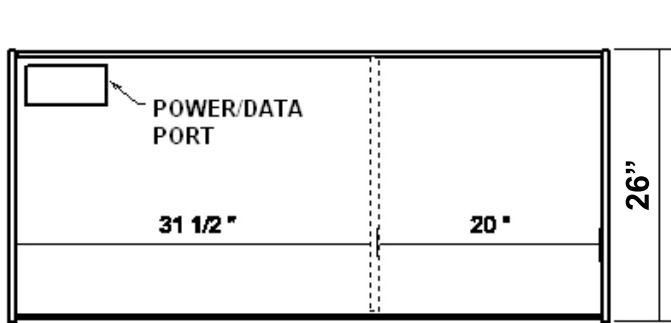
**Open Bay (left)** – Inside dimensions are 32.125" wide x 23" deep. Includes two half-depth fixed storage shelves.

**Auxiliary Bay (right)** – 20" interior width x 34.75" interior height x 22" interior depth cabinet with one locking door and two adjustable shelves. Can accommodate optional rack-mount standards. Integral wire management allows passage of cables between bays and vertically behind shelves.

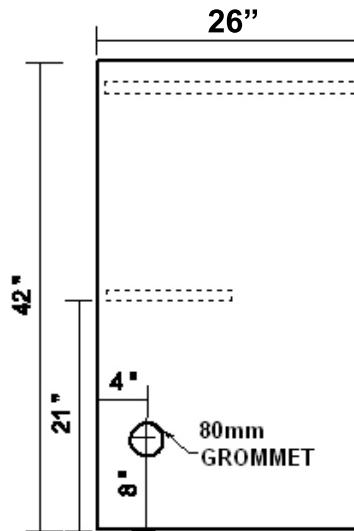
**Base Panels** - 0.020" thick melamine coated finish thermally fused to both sides of 19mm thick 47 lb. medium density particleboard. All exposed edges (including bottom edges in contact with the floor - to prevent water damage) are banded in 3mm thick, color-thru PVC mechanically applied under pressure and heat.

**Construction** – European 32mm woodworking technology employing steel-to-steel pin and cam connections (thru-drilled for full panel integrity) where needed to provide durability, ease of assembly and modularity.

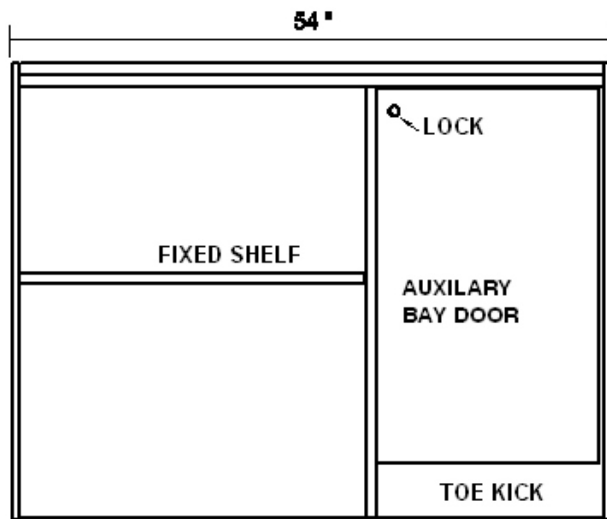
**Integral Wire Management™** - Vertical and horizontal wire channeling, 80mm side access grommets are positioned to align with other components and wall power/data access points.



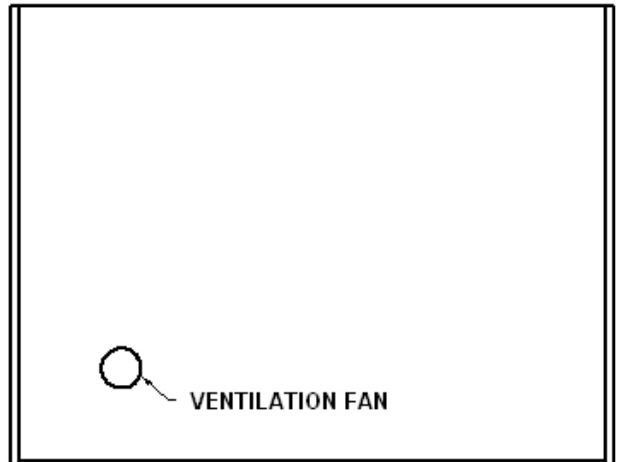
TOP



SIDE



FRONT



REAR