



## SMARTdesks™ SnapFlex™ Product Specs

---

### **SSF-603628-C19, SSF-663628-C19, SSF-723628-C19, SSF-783628-C19**

Double Desk for 2 CRT Monitors - 16"d Keyboard Surface (60", 66", 72", and 78" wide x 36"d x 28"h - Grade 9-Adult)

### **SSF-603626-C19, SSF-663626-C19, SSF-723626-C19, SSF-783626-C19**

Double Desk for 2 CRT Monitors - 16"d Keyboard Surface (60", 66", 72", and 78" wide x 36"d x 26"h - Grade 5-8)

### **SSF-603624-C19, SSF-663624-C19, SSF-723624-C19, SSF-783624-C19**

Double Desk for 2 CRT Monitors - 16"d Keyboard Surface (60", 66", 72", and 78" wide x 36"d x 24"h - Grade K-5)

### **Materials and Construction Specifications**

**Top Surfaces and Base Panels** - 0.020" thick melamine coated finish thermally fused to both sides of 19mm thick 47 lb. medium density particleboard. All exposed edges (including bottom edges in contact with the floor - to prevent water damage) are banded in 3mm thick, color-thru PVC mechanically applied under pressure and heat.

**Keyboard/Mouse/Writing Surface** - Full width (60", 66", 72", 78") available in two depths x 16" deep. May be modified at minimal charge to accommodate LCD monitors.

**Rear Deck** - 20" wide x 20" deep (nominal) removable panel. Permits access to CPU cases without removal from CPU bay and is available with a multitude of accessory options.

**Wire Access Grommets** - 80mm diameter wire access grommets with cover are positioned on both side panels to channel cables to other desks and/or to wall outlets.

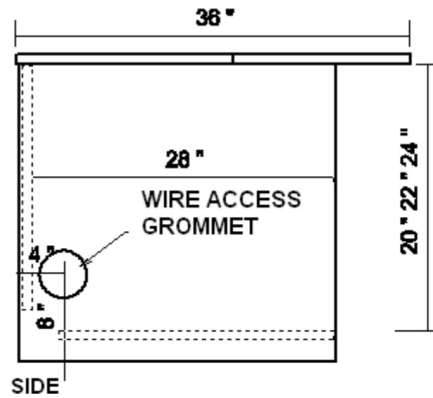
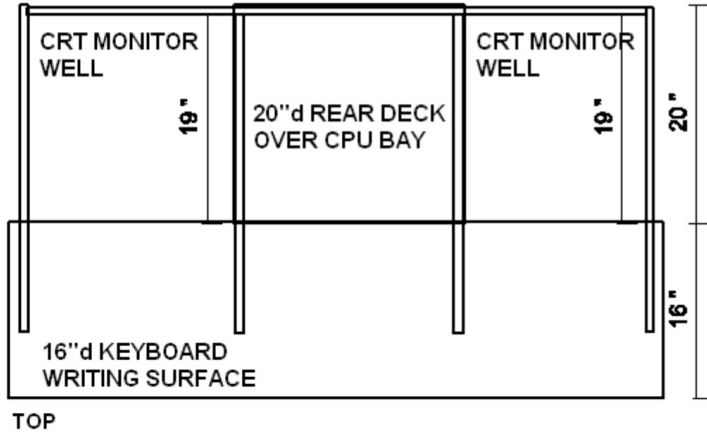
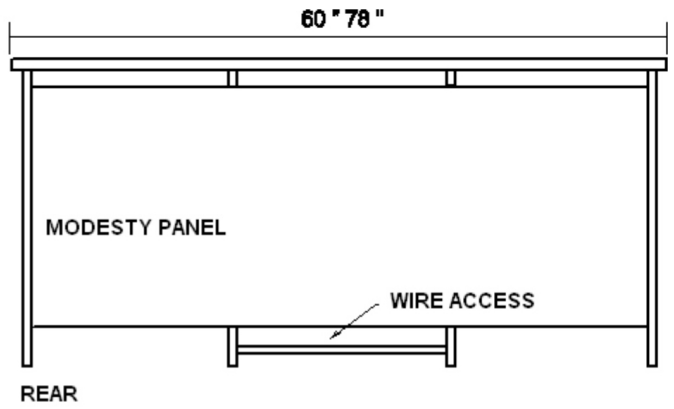
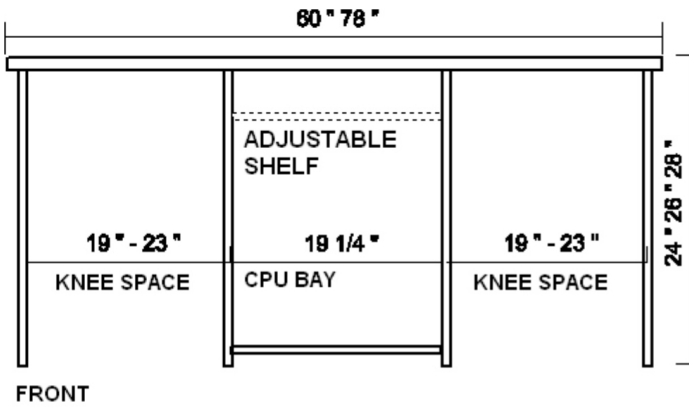
**Convertible CPU Cabinet™** - 19.25"w bay accommodates desktop or mid-tower CPU cases. Includes adjustable shelf, vertical and horizontal wire channeling. Accepts optional rack mount rails.

**Construction** - European 32mm woodworking technology employing steel-to-steel pin and cam connections (thru-drilled for full panel integrity) where needed to provide durability, ease of assembly and modularity.

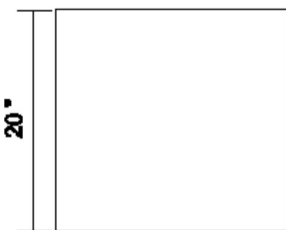
**Ventilation** - Panels are assembled to permit adequate airflow around components.

**Floor Glides** - All units are provided with standard adjustable 1¼" steel leveling glides with vinyl shield attached to metal inserts in the vertical support panels. 3/4" height adjustment range.

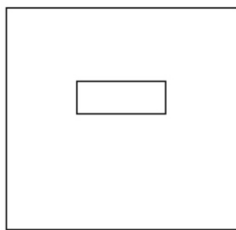
**Integral Wire Management™** - Vertical and horizontal cable chases permit access to floor outlets and ganging between desks.



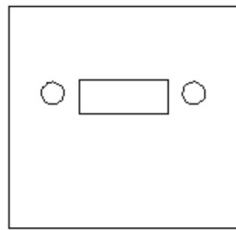
DOUBLE DESK REAR DECK OPTIONS



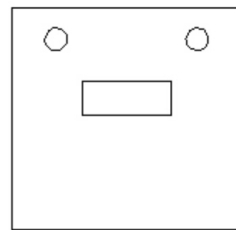
DRD1  
Blank



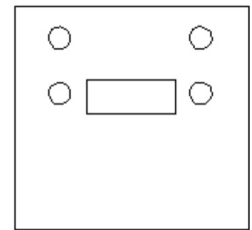
DRD1A  
PDP



DRD1B  
PDP, 2-HSG



DRD1C  
PDP, 2-TLG



DRD1D  
PDP, 2-HSG, 2-TLG