



SMARTdesks™ SnapFlex™ Product Specs

SSF-603428-C2F, SSF-663428-C2F, SSF-723428-C2F, SSF-783428-C2F

Double Desk for 2 LCD Monitors - 20"d Keyboard Surface (60", 66", 72", and 78" wide x 34"d x 28"h - Grade 9-Adult)

SSF-603426-C2F, SSF-663426-C2F, SSF-723426-C2F, SSF-783426-C2F

Double Desk for 2 LCD Monitors - 20"d Keyboard Surface (60", 66", 72", and 78" wide x 34"d x 26"h - Grade 5-8)

SSF-603424-C2F, SSF-663424-C2F, SSF-723424-C2F, SSF-783424-C2F

Double Desk for 2 LCD Monitors - 20"d Keyboard Surface (60", 66", 72", and 78" wide x 34"d x 24"h - Grade K-5)

Materials and Construction Specifications

Top Surfaces and Base Panels - 0.020" thick melamine coated finish thermally fused to both sides of 19mm thick 47 lb. medium density particleboard. All exposed edges (including bottom edges in contact with the floor - to prevent water damage) are banded in 3mm thick, color-thru PVC mechanically applied under pressure and heat.

Keyboard/Mouse/Writing Surface - Full width (60", 66", 72", 78") x 20" deep. May be inexpensively modified to accommodate CRT monitors up to 19".

Rear Deck - 20" wide x 14" deep (nominal) removable panel. Permits access to CPU cases without removal from CPU bay and is available with a multitude of accessory options.

Wire Access Grommets – 80mm diameter wire access grommets with cover are positioned on both side panels to channel cables to other desks and/or to wall outlets.

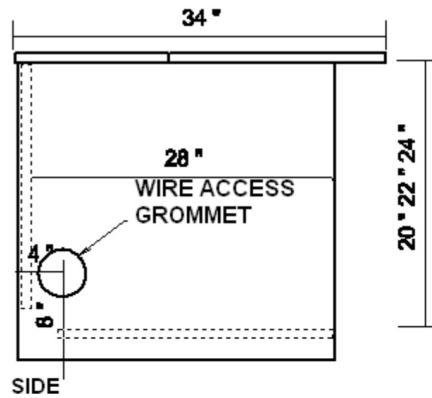
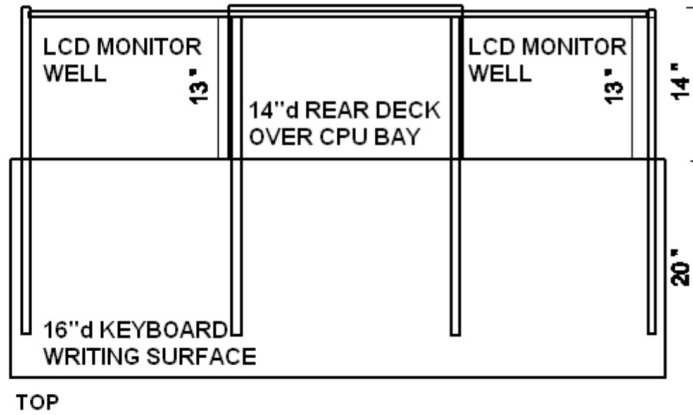
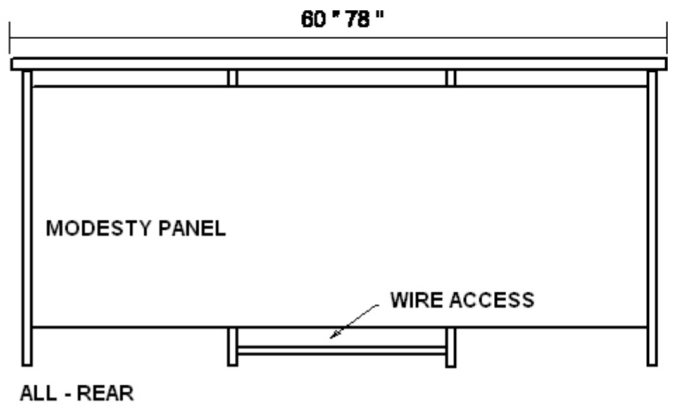
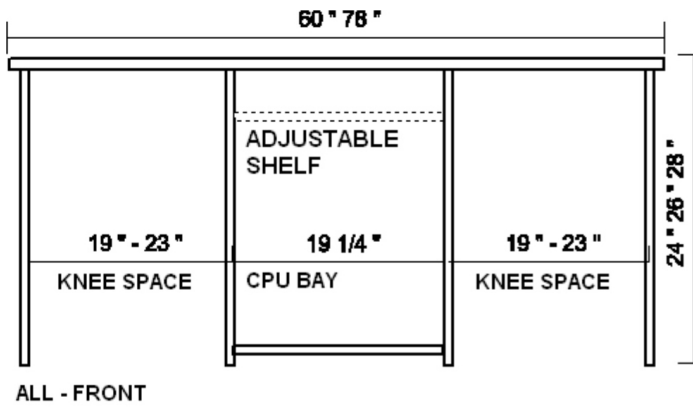
Convertible CPU Cabinet™ – 19.25"w bay accommodates desktop or mid-tower CPU cases. Includes adjustable shelf, vertical and horizontal wire channeling. Accepts optional rack mount rails.

Construction – European 32mm woodworking technology employing steel-to-steel pin and cam connections (thru-drilled for full panel integrity) where needed to provide durability, ease of assembly and modularity.

Ventilation – Panels are assembled to permit adequate airflow around components.

Floor Glides - All units are provided with standard adjustable 1¼" steel leveling glides with vinyl shield attached to metal inserts in the vertical support panels. 3/4" height adjustment range.

Integral Wire Management™ - Vertical and horizontal cable chases permit access to floor outlets and ganging between desks.



DOUBLE DESK REAR DECK OPTIONS

