



## SMARTdesks™ SnapFlex™ Product Specs

---

**SSF-423028-C1F, SSF-483028-C1F** Single Computer Desk for LCD Monitor - 16"d Keyboard Surface (Grade 9-Adult)  
**SSF-423026-C1F, SSF-483026-C1F** Single Computer Desk for LCD Monitor - 16"d Keyboard Surface (Grade 5-8)  
**SSF-423024-C1F, SSF-483024-C1F** Single Computer Desk for LCD Monitor - 16"d Keyboard Surface (Grade K-4)  
**WSF-483032-C1F** Single Wheelchair Access Computer Desk for LCD Monitor - 16"d Keyboard Surface  
**WSF-483432-C2F** Single Wheelchair Access Computer Desk for LCD Monitor - 20"d Keyboard Surface  
**MSF-423036-C1F MSF-483036-C1F** Stand-up Lectern/Desk for LCD Monitor - 16"d Keyboard Surface

### Materials and Construction Specifications

**Top Surfaces and Base Panels** - 0.020" thick melamine coated finish thermally fused to both sides of 19mm thick 47 lb. medium density particleboard. All exposed edges (including bottom edges in contact with the floor - to prevent water damage) are banded in 3mm thick, color-thru PVC mechanically applied under pressure and heat.

**Keyboard/Mouse/Writing Surface** - Full width (42", 48") x 16" deep. may be inexpensively modified to accommodate CRT monitors up to 19".

**Rear Deck** - 20" wide x 14" deep (nominal) removable panel. Permits access to CPU cases without removal from CPU bay and is available with a multitude of accessory options.

**Wire Access Grommets** – 80mm diameter wire access grommets with cover are positioned on both side panels to channel cables to other desks and/or to wall outlets.

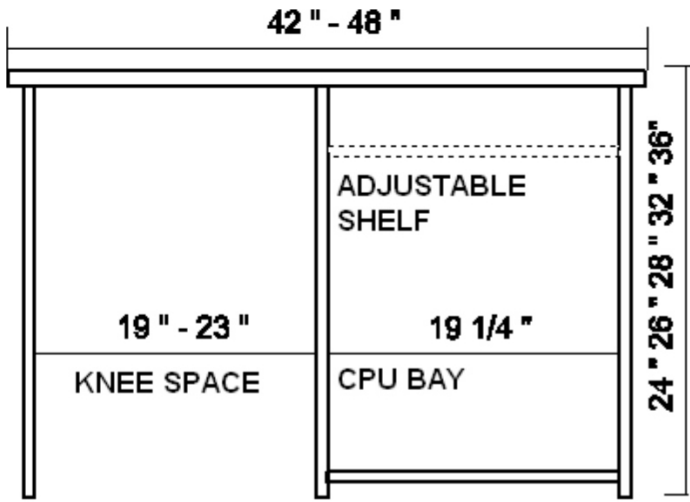
**Convertible CPU Cabinet™** – 19.25"w bay accommodates desktop or mid-tower CPU cases (20" high - max). Includes adjustable shelf, vertical and horizontal wire channeling. Accepts optional rack mount rails.

**Construction** – European 32mm woodworking technology employing steel-to-steel pin and cam connections (thru-drilled for full panel integrity) where needed to provide durability, ease of assembly and modularity.

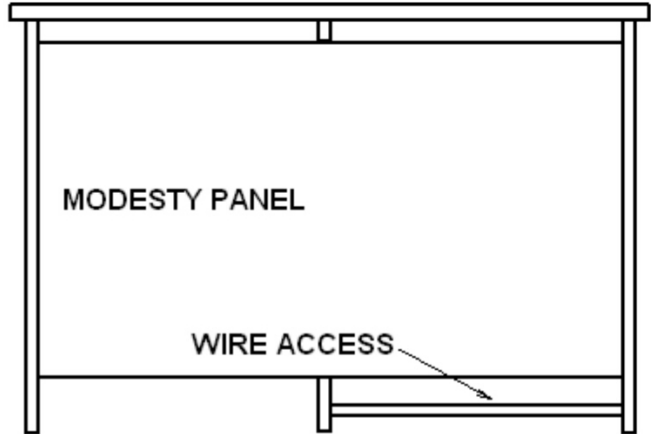
**Ventilation** – Panels are assembled to permit adequate airflow around components.

**Floor Glides** - All units are provided with standard adjustable 1¼" steel leveling glides with vinyl shield attached to metal inserts in the vertical support panels. 3/4" height edjstment range.

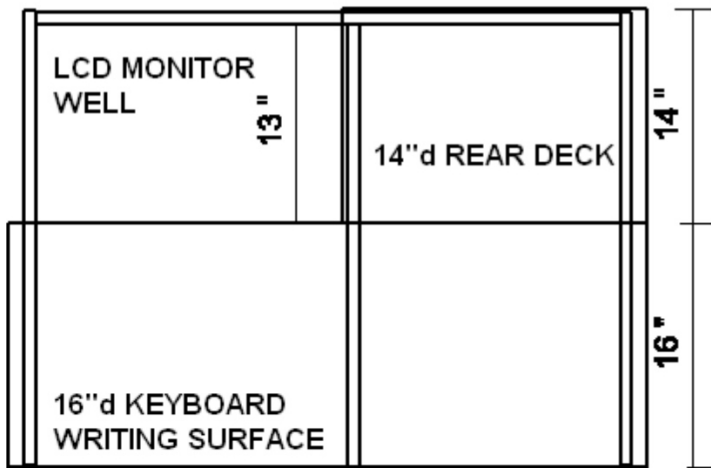
**Integral Wire Management™** - Vertical and horizontal cable chases permit access to floor outlets and ganging between desks.



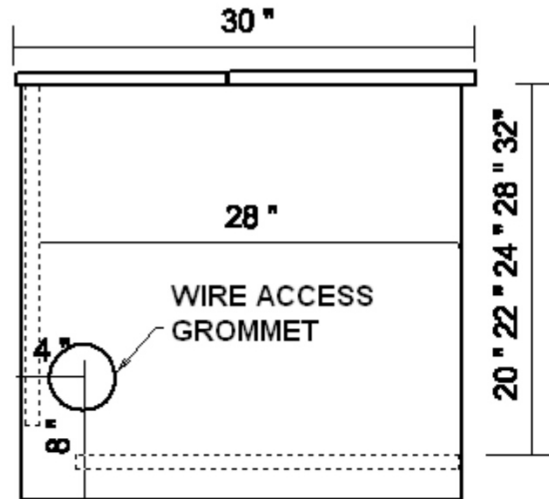
FRONT



REAR



TOP



SIDE

SINGLE DESK REAR DECK OPTIONS

