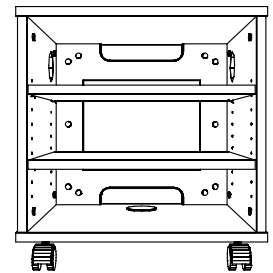
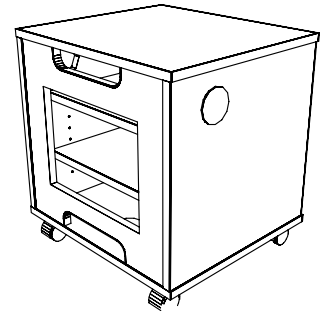


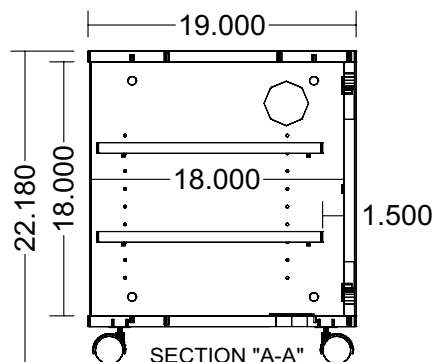
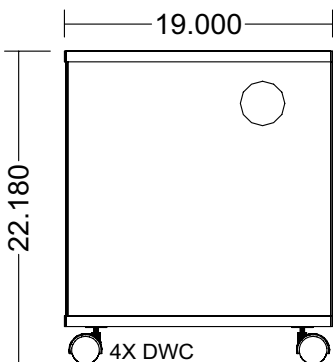
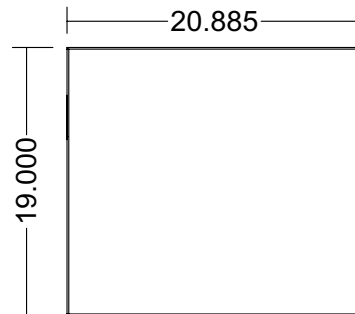
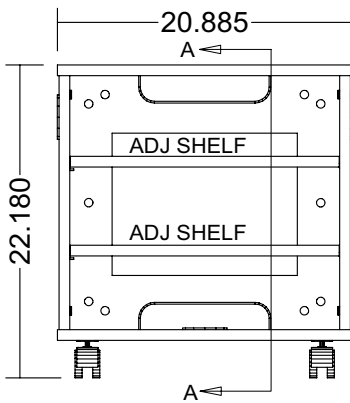
SPEX™ EQS Mobile Stacker Cabinet



SPECIFICATIONS

SPX-211922-EQS/M

- SPEX™ EQS Mobile Equipment Stacker is constructed of 30mm MDF, finished in High Pressure Laminate and 3mm PVC edge banding, customer selects color.
- Dimensions: 21" w x 19" d x 22" h.
- 4 dual wheel carpet casters provide mobility.
- 2 adjustable shelves provided with internal wire passage space in back.
- Rack mount rails may be specified instead of shelves.
- Side to side wire management grommets.
- Fits under Piano table top.



www.smartdesks.com
800-770-7042

© 2008 CBT Supply, Inc. All rights reserved.