

Retrofit Kit

See our website for installation instructions
www.novadesk.com/support/tech/installation.htm

The Trolley H-Class / Components and Dimensions

- Minimum work surface depth: 24"
- Minimum kneespace width: 25"
- Work surface footprint: 22" W x 8½" D
- Maximum dimensions for flat panel display:
 2¾" D x 16¼" W x 14" H
 (70mm D x 413mm W x 356mm H)
- Fits most monitors up to 19" diagonal

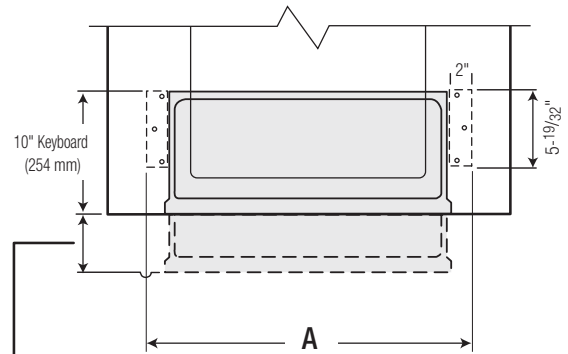
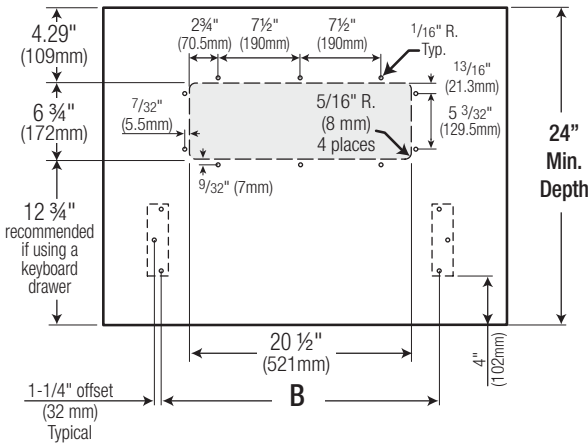
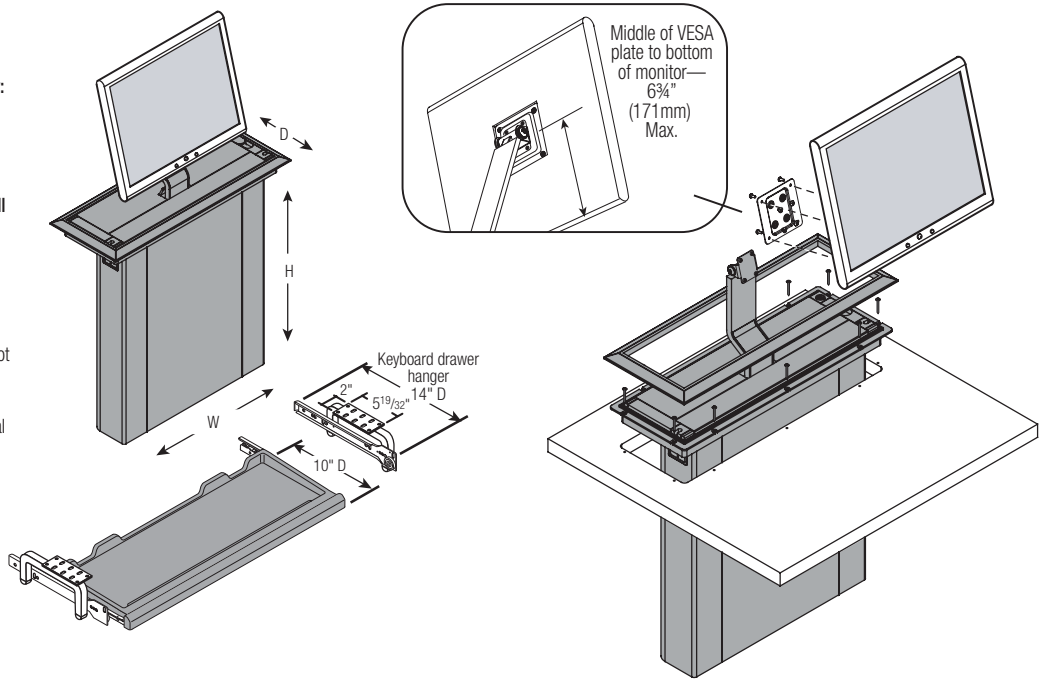
NOTE: Maximum distance from center of wall mount VESA plate to bottom of monitor is 6¾" (171mm)

TROLLEY H-CLASS

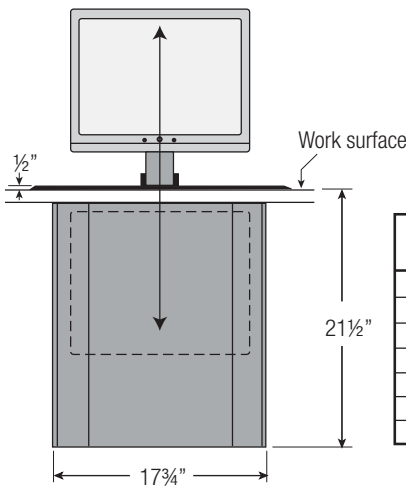
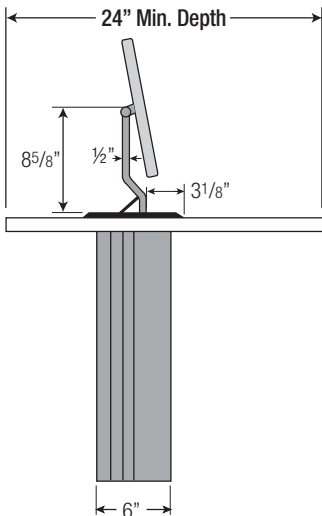
Low voltage electrical motor to lift and lower monitor. Display submerges into desktop when not in use. Intelligent Motion Technology™ provides operational intuition. Tamper guard security hardware. Locking access doors. Provides vertical tilt adjustment in "up" position.

KEYBOARD DRAWER

Textured black thermoformed ABS keyboard drawer features soft radius edges. Five positive inward and outward stop locations. Outward locking tabs prevent accidental removal of keyboard drawer.



Keyboard drawer pulls out 10" (254mm) from edge of work surface.
 1st stop at 7 9/16" (192mm)



Keyboard size	Dimension A Min. Kneespace Width	Dimension B Keyboard drill pattern
22"	22" (559 mm)	18 ¹³ / ₁₆ " (478 mm)
24"	25 ⁷ / ₈ " (657 mm)	22 ¹⁹ / ₃₂ " (574 mm)
27"	28 ⁵ / ₈ " (727 mm)	25 ⁵ / ₁₆ " (643 mm)
28"	29 ¹ / ₂ " (749 mm)	26 ¹ / ₈ " (663 mm)
30"	31 ⁵ / ₈ " (803 mm)	28 ¹ / ₁₆ " (712 mm)
33"	34 ⁵ / ₈ " (879 mm)	31 ¹ / ₄ " (793 mm)
34"	35 ¹ / ₂ " (902 mm)	32 ¹ / ₈ " (815 mm)

Dimensions are for underneath side of worksurface. Product specifications are subject to change without notice. Dimensions are nominal.