



SnapFlex Double Workstation Assembly Instructions

NOTE 1: Separate and stack panels by like types before beginning the assembly process

NOTE 2: We recommend that two people assemble this product.

List of Panel Components:

- Keyboard/Mouse/Writing Deck
- Rear Deck
- Back Panel
- Left Side Panel
- Right Side Panel
- Left VDT Shelf
- Right VDT Shelf
- Left CPU Bay Side Panel
- Right CPU Bay Side Panel
- Left CPU Bay Base Panel
- CPU Bay Shelf

List of Hardware in Hardware Bag:

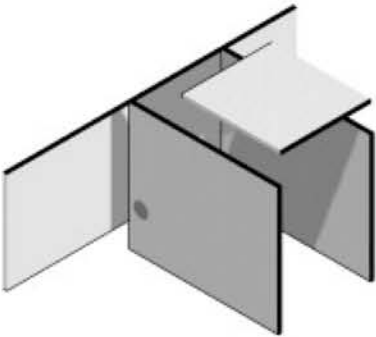
- 10 ea. - Cam Pins (Push through holes in side panels into holes leading to cam fittings in CPU base and back panels)
- 8 ea. - Resant Pins (for Adjustable VDT Shelves - Screw into front and rear holes)
- 2 ea. - Earthquake Pins (for Adjustable CPU Shelf - Push into front holes)
- 2 ea. - Spoon Pins (for Adjustable CPU Shelf - Push into rear holes)

List of Pre-Attached Hardware:

- Cam Fittings (in bottom of CPU base panels and inside of back panel)
- 8 ea. - Resant Cam Fittings (in bottom of Adjustable VDT Shelves)
- Female RV Fittings (on bottom of Keyboard/Mouse/Writing Deck and Rear Deck panels)
- Male RV Fittings with Set Screws (on Side Panels and CPU Side Panels)
- Steel Leveling Glides (on bottom edge of Side Panels and CPU Side Panels)

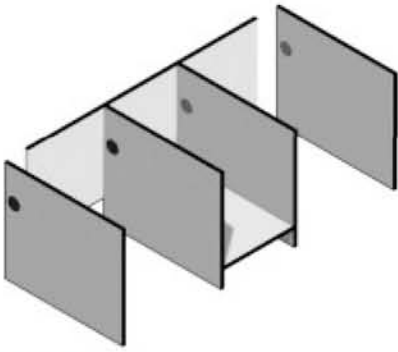
Step A:

1. Stand **Back Panel** on long edge. Attach **Back Panel** to **Left CPU Side Panel** (Side with **Male RV Fittings** facing outward and down, **Cam Fittings** facing inward and **Steel Leveling Glides** up) by inserting **Cam Pins** through outside of **Back Panel** into holes leading to **Cam Fittings**. With panels flush, turn Cam Fittings with a #2 Philips Screwdriver 1/4 turn to tighten.
2. Repeat for **Right CPU Side Panel**.
3. With Back and CPU Side Panel assembly still upside down, Attach **CPU Base Panel** with **Cam Fittings** facing up between **Right and Left CPU Side Panels** by inserting **Cam Pins** through outside of **CPU Side Panels** into holes leading to **Cam Fittings** in **CPU Base Panel**. With panels flush, turn Cam Fittings with a #2 Philips Screwdriver 1/4 turn to tighten.



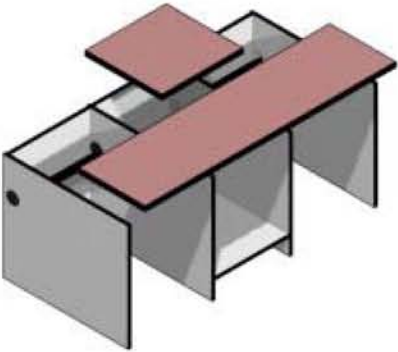
Step B:

1. Rotate assembled unit upright to stand on **Steel Leveling Glides**.
2. Attach **Left Side Panel** (Side with VDT Shelf Support holes facing inward and up and **Steel Leveling Glides** down) by inserting **Cam Pins** through outside of **Side Panel** into holes leading to **Cam Fittings** in the edge of the **Back Panel**. With panels flush, turn Cam Fittings with a #2 Philips Screwdriver 1/4 turn to tighten.
3. Repeat for **Right Side Panel**.



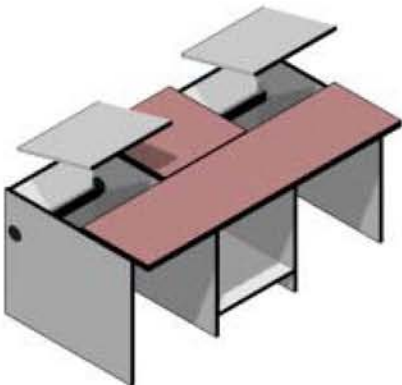
Step C:

1. Fit and Snap **Rear Deck** into position over back half of the center CPU bay. Be sure all fittings are aligned before exerting downward pressure on the deck.
2. Fit and Snap **Keyboard/Mouse/Writing Deck** into position over front of the center CPU bay and Side Panels. Be sure all fittings are aligned before exerting downward pressure on the deck.



Step D:

1. Using 4 shelf **Spoon Pins**, to determine ideal height and angle for your VDT by inserting 2 pins into the inside of the **Left Side Panel** and 2 pins into the outside of the **Left CPU Side Panel** rows of holes. Rest the **VDT Shelf** (with the **Resant Cams** facing down) carefully on the pins (the shelf should rest with the Spoon Pins turned vertically to fit in the Resant Cams) and test using a sample monitor.
2. When you determine the correct location for the pins, remove the shelf Spoon Pins and screw in the **Resant Pins**.
3. Snap the **VDT Shelf** (with the **Resant Cams** facing down) carefully on the **Resant Pins**. With the shelf in place, turn each of the 4 **Resant Cams** with a #2 Philips Screwdriver 1/4 turn to tighten.
4. Repeat for the right-hand VDT shelf.



NOTE 3: Lift - DO NOT SLIDE - the desk into place.

Step E:

1. Do not screw in the the set screws on the **RV Fittings** holding the **Rear Deck** to the **CPU Side Panels** to permit access to the rear of CPU cases until wiring of the classroom is complete. You may want to tighten these for security later but this is not required.
2. Be sure to screw in the set screws on the all of the **RV Fittings** holding the **Keyboard/Mouse/Writing Deck** to the **Side Panels** and **CPU Side Panels**. This is necessary to insure the integrity and safety of the desk.
3. Install the **CPU Bay Shelf** by inserting **Earthquake Pins** in the front shelf holes and **Spoon Pins** in the rear shelf holes. Slide in the **CPU Bay Shelf** with the two small holes for the Earthquake Pins facing forward and down.