



The Uptract is a one power, one data pull up grommet. Made of powder coated steel, the Uptract is designed to be more durable than traditional plastic products. The Uptract fits into a standard 3" diameter grommet cutout making retrofitting older products easy and convenient.

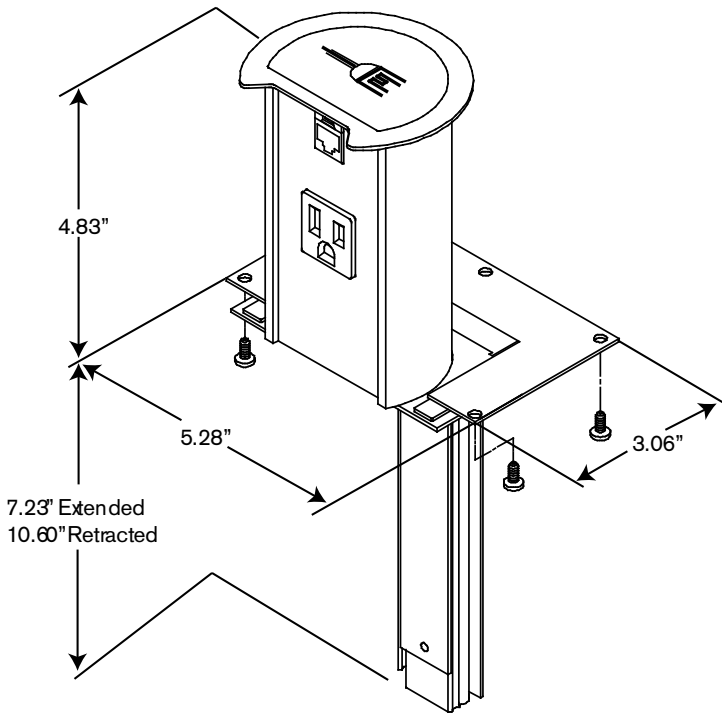


TABLE SPECIFICATIONS

Cutout = 3.00" Diameter Hole
 Minimum Thickness = .75"
 Maximum Thickness = 1.50"

Product Specifications

- All steel construction
- Standard finish is black powder coat. Other finishes available upon request
- 6 foot power cord standard, other lengths available
- Patch cords for data jacks available.
- 1 RJ45 category 6 standard
- UL Listing Pending

Product Ordering Information

UPTRACT B

Lift up unit with 1 power receptacle and 1 RJ45 cat 6 connector. 72" cord with molded plug. Constructed of powder coated steel with black textured finish. Supplied with 3" black grommet.