

# DataPortal



The Data Portal family of products are compact in design but large in capability. They can house one or two data power ports, such as RJ-11 or RJ-45 cat 5e inline connectors, mini stereo & 15 pin VGA inline connectors, configurable based on your individual requirements.

A flip up top allows the unit to be covered and discretely become part of the furniture when not in use. Constructed of fine anodized aluminum, these products are an elegant way to satisfy your data power requirements.

Available in brushed black or brushed clear anodized aluminum finish.



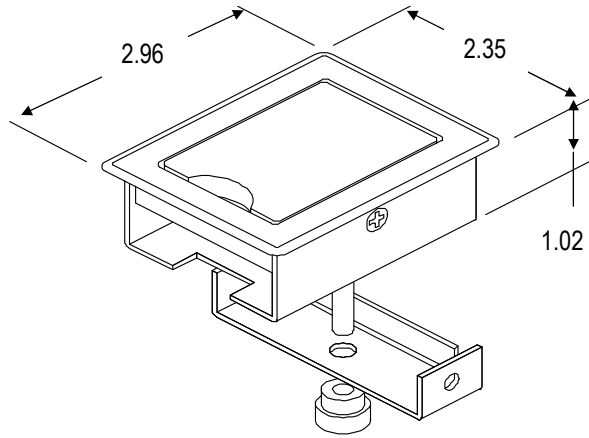
[www.smartdesks.com](http://www.smartdesks.com)  
800 770 7042

## Model Number

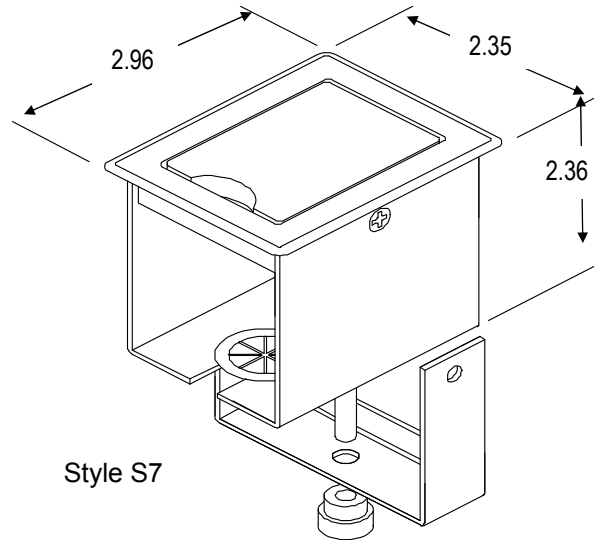
## Product Description

DP- BL-S0-11	Data Portal brushed and Black Anodized aluminum, one RJ-11 inline cat 3
DP- AL-S0-11	Data Portal brushed and Clear Anodized aluminum, one RJ-11 inline cat 3
DP- BL-S0-73	Data Portal brushed and Black Anodized aluminum, one RJ-45 in line cat 5e
DP- AL-S0-73	Data Portal brushed and Clear Anodized aluminum, one RJ-45 in line cat 5e
DP- BL-S1-11-73	Data Portal brushed and Black Anodized aluminum, one RJ-11 inline cat 3, one RJ-45 in line cat 5e
DP- AL-S1-11-73	Data Portal brushed and Clear Anodized aluminum, one RJ-11 inline cat 3, one RJ-45 in line cat 5e
DP- BL-S1-73-73	Data Portal brushed and Black Anodized aluminum, two RJ-45 in line cat 5e
DP- AL-S1-73-73	Data Portal brushed and Clear Anodized aluminum , two RJ-45 in line cat 5e
DP-BL-S2-L-37	Data Portal brushed and Black Anodized aluminum, one mini stereo, one 15-pin HD VGA inline
DP-AL-S2-L-37	Data Portal brushed and Clear Anodized aluminum, one mini stereo, one 15-pin HD VGA inline
DP-BL-S3-L-10	Data Portal brushed and Black Anodized aluminum, one mini stereo, one S-Video
DP-AL-S3-L-10	Data Portal brushed and Clear Anodized aluminum, one mini stereo, one S-Video
DP-BL-S4-25	Data Portal Brushed Black Anodized aluminum with one 4-pin XLR
DP-AL-S4-25	Data Portal Brushed Clear Anodized aluminum with one 4-pin XLR
DP-BL-S4-23	Data Portal Brushed Black Anodized aluminum with one 6-pin XLR
DP-AL-S4-23	Data Portal Brushed Black Anodized aluminum with one 6-pin XLR
DP-BL-S4-13	Data Portal Brushed Black Anodized aluminum with one 3-pin XLR
DP-AL-S4-13	Data Portal Brushed Clear Anodized aluminum with one 3-pin XLR
DP-BL-S4-C9	Data Portal Brushed Black Anodized aluminum with one USB type A/B
DP-AL-S4-C9	Data Portal Brushed Clear Anodized aluminum with one USB type A/B
DP-BL-S5-10	Data Portal Brushed Black Anodized aluminum with one S-video
DP-AL-S5-10	Data Portal Brushed Clear Anodized aluminum with one S-video
DP-BL-S6-CRDMND	Data Portal Brushed Black Anodized aluminum with cord minder bushing in shallow pan
DP-AL-S6-CRDMND	Data Portal Brushed Clear Anodized aluminum with cord minder bushing in shallow pan
DP-BL-S7-CRDMND	Data Portal Brushed Black Anodized aluminum with cord minder bushing in deep pan
DP-AL-S7-CRDMND	Data Portal Brushed Clear Anodized aluminum with cord minder bushing in deep pan
DP-BL-S8-77-78-79	Data Portal Brushed Black Anodized aluminum with three RCA RWY inline
DP-AL-S8-77-78-79	Data Portal Brushed Clear Anodized aluminum with three RCA RWY inline

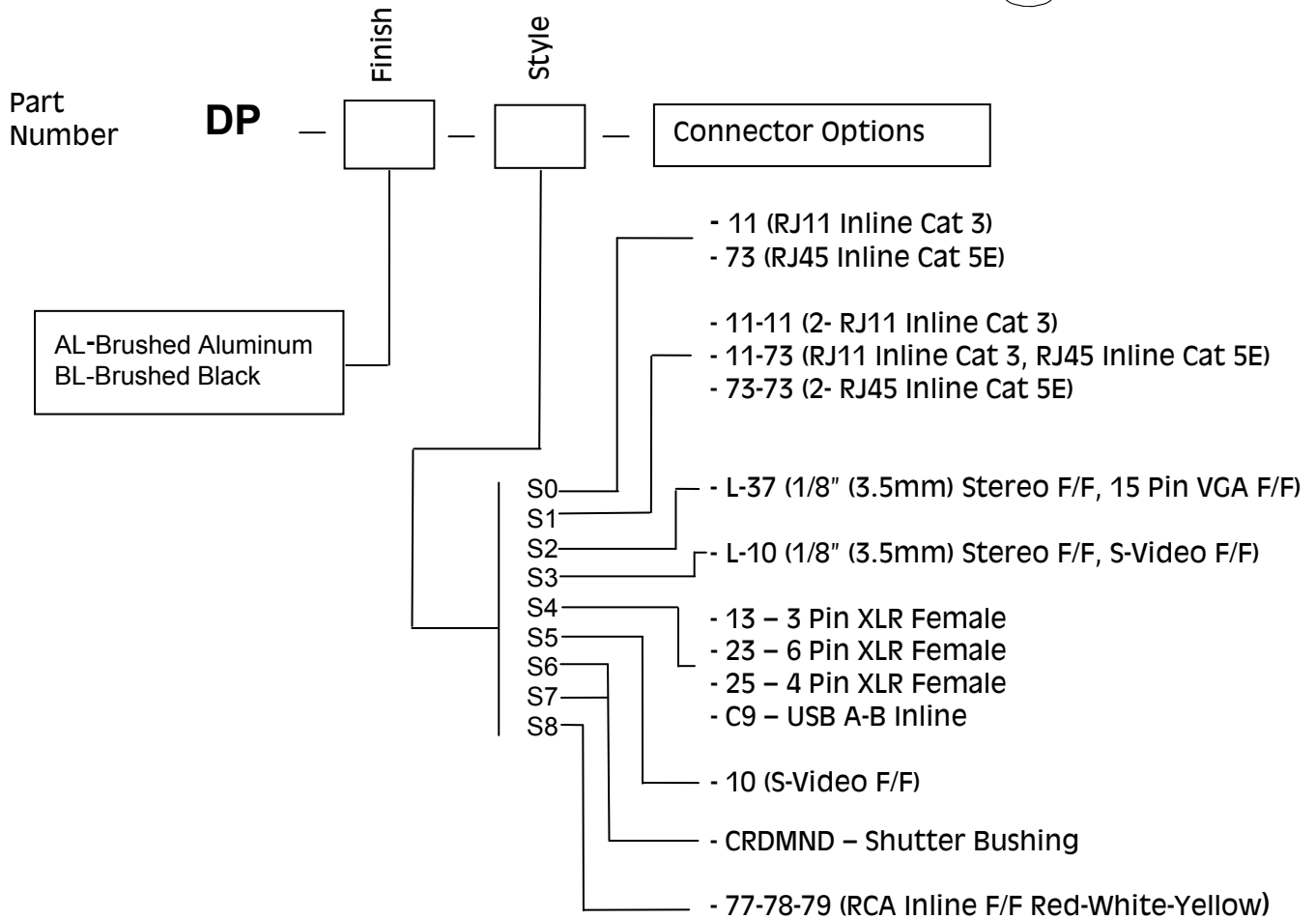
# DataPortal SPECIFICATIONS



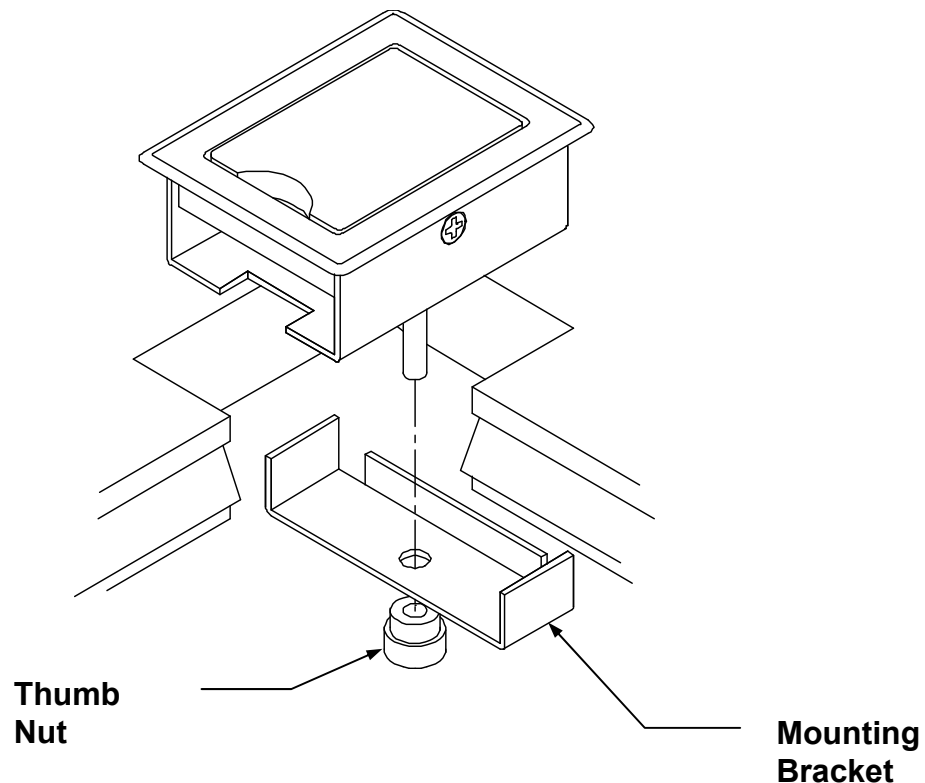
Style S0, S1, S2, S3, S4, S5,  
S6 & S8



Style S7



# DataPortal Installation Instructions



## Table Cutout Size

2 3/16 x 2 13/16

## Table Thickness

3/4" to 1 1/2"

### Installation Instructions

1. Remove mounting bracket from Data Portal by removing plastic thumb nut.
2. Install Data Portal into table cutout as shown and reinstall mounting bracket and plastic thumb nut. Tighten as required.
3. Connect data jacks as needed.