

Laptop & Computer Products for HIPAA Compliance §164.308(a)(1) Physical Safeguards



Installs in any desktop!

- nurse's stations
- reception desks
- administrator offices
- patient rooms
- any physical access point



flipIT® Laptop Safe

provides a locked compartment for controlled access to patient information.

flipIT® Wide Screen Workstation

LCD flips under, keyboard retracts.
Locks for controlled access.



Laptop Products for HIPAA Compliance §164.308(a)(1) Physical Safeguards



Unlock.
 Touch to pop up.
 Pull out tray.
 Automatically opens.

 To close, pull lid
 down and lock.



flipIT® 18 Laptop Safe

flipIT® Laptop Safe installs in any fixture

Provides a locked storage chamber and a work surface when laptop is stowed.

This appliance addresses compliance with HIPAA §164.308 Physical Safeguards, especially the Facility Access Controls requirement to implement policies and procedures to limit physical access to its electronic information systems and the facilities in which they are housed, while ensuring that properly authorized access is allowed.

flipIT® 18 Laptop Safe for most applications
flipIT® 23 for larger wide screen laptops

Both operate and install the same way. The flipIT® 23 has more room for data connections and larger wide screen laptop models. If a mouse is used, it stows on top of the laptop. Serves as a charging cabinet. Power and data connections can be maintained when unit is closed.



Universal wire management design allows cables to pass through for rear- and side-mounted power and data connections to laptop. Customized plate for specialized connections is available, optional.



flipIT® 23 Laptop Safe





Unlock. Pull keyboard tray open to a tipping point and the LCD opens by itself. To close, pull lid closed and lock.

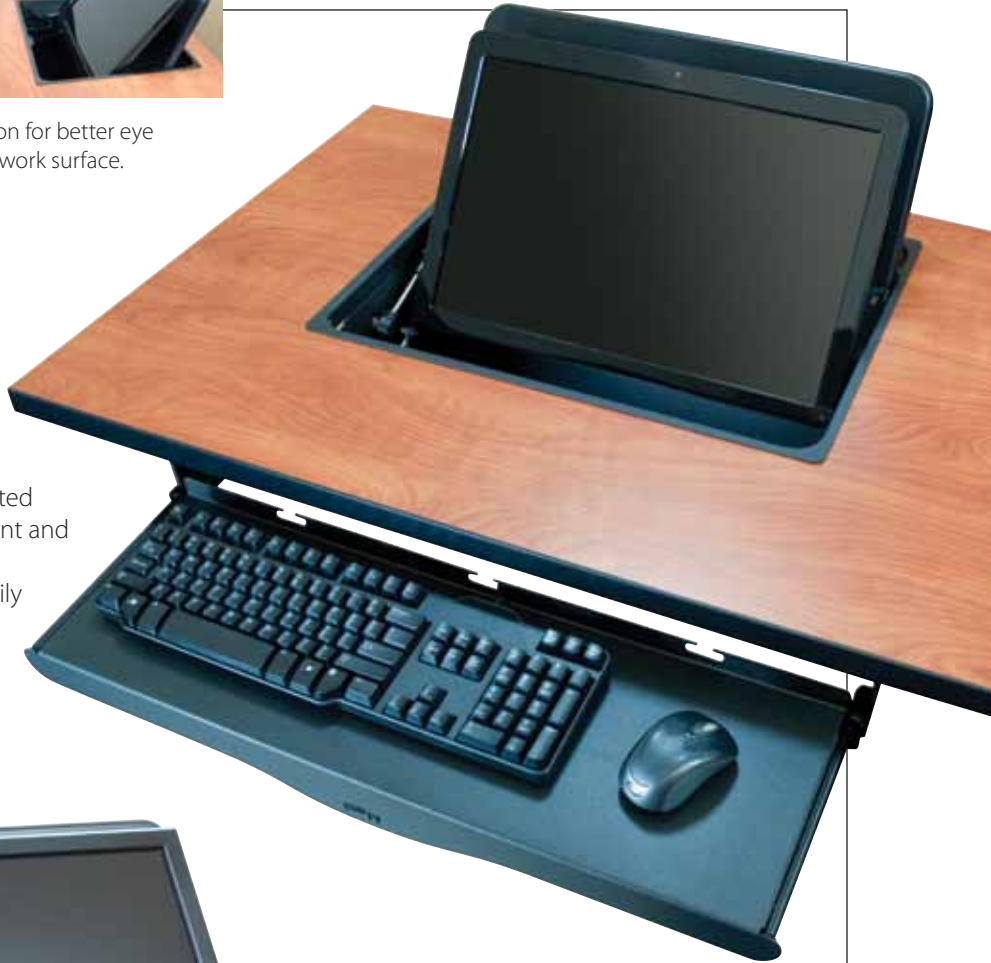


Screen angle adjustable $\pm 15^\circ$. Semi-recessed position for better eye contact with patient. In closed position, becomes a work surface.

flipIT® LCD Workstations

Close and lock to provide security, and a work surface when closed.

Two sizes fit most popular monitor sizes. Ideal for reception areas. The monitor is mounted at a low profile so personnel can face the patient and maintain eye contact. Patients cannot see the screen from their vantage point. Monitor is easily closed to extend the work surface space. The keyboard tray operates independently, retracting for convenience.



flipIT® 19 LCD Workstation
for 16:9 Wide Screens 20"



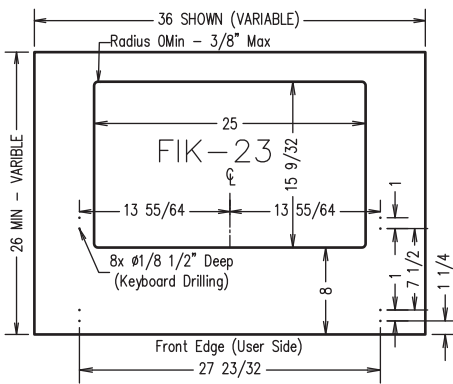
flipIT® 23 LCD Workstation
for 16:9 Wide Screens 24"

flipIT® Installation Considerations

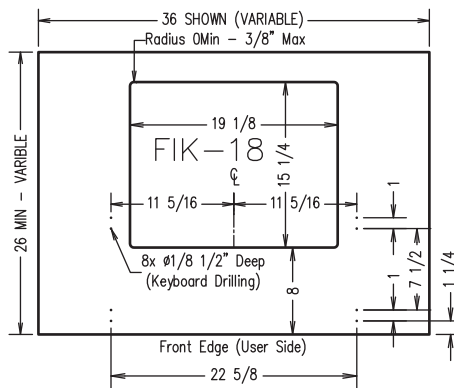
Your contractor can install flipIT® products into any work surface fixture with this criteria:

- 8 inches required in front of unit for keyboard to retract. If keyboard is not required, less than 8 inches is acceptable, but no less than 3 inches for structural integrity.
- 2.75" required in back of unit for structural integrity. Monitors usually mount such that they extend below the flipIT® lid. When closed, this space is necessary for monitor parking space.
- 3 inches of width is required on the side of the cutout where the lock will be installed.
- 1 inch minimum width of clear space is required for installation of the keyboard tray, tabs turned in.
- Optimal spacing allows 3 - 4 inches of clear space on both sides of the cutout.
- Minimum clear space width spacing:
 flipIT 23 = 29.5 inches flipIT 18 Laptop Safe = 23.5 inches flipIT 19 = 27.5 inches
- Clearance distance under surface for operation = 8.5 inches
- Clearance distance overhead for operation = 9 inches
- Recommended distance for from floor to under side of desktop for keyboard mounting = 29-29.25 inches
- Recommended desktop thickness = 30mm (1.18 inches)
- Recommended desktop height for use with keyboard = 28 inches; with keyboard tray = 30 inches
- Optimal spacing for side-by-side stations = 30 inches point to point for flipIT® 18 and 19; 36 inches for flipIT® 23.
- Optimal table top widths for single workstations flipIT® 18 and 19 = 36 inches; flipIT® 23 = 44 inches

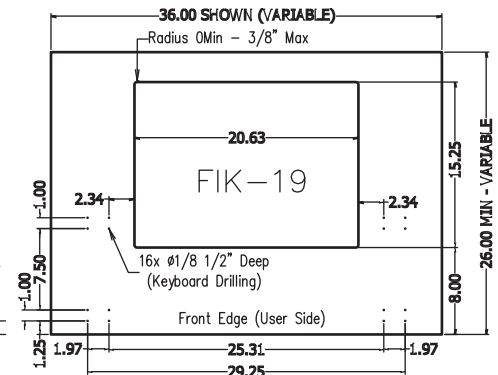
flipIT® 23 Cutout & Pilot Holes



flipIT® 18 Cutout & Pilot Holes



flipIT® 19 Cutout & Pilot Holes



Materials:

- Lids are medium density fiberboard (MDF) finished in black thermofoil.
- Top surface lid color options are black and unfinished MDF so your contractor can match the top to the rest of the cabinet.
- All steel construction of flipIT® mechanical
- All finished metal parts are standard in black powdercoat; however, special order RAL color matches can be accommodated on a custom order basis.
- Made in USA

Model Numbers:

- **FIK 19** flipIT® 19 with keyboard tray
- **FIH 19** flipIT® 19 no keyboard tray
- **FIK 23** flipIT® 23 with keyboard tray
- **FIH 23** flipIT® 23 no keyboard tray
- **FIL 18** flipIT® 18 Laptop Safe
- **FIL 23** flipIT® 23 Laptop Safe

Distributed by:



www.smartdesks.com

800 770 7042