

Assembly Instructions for

piatto[™]

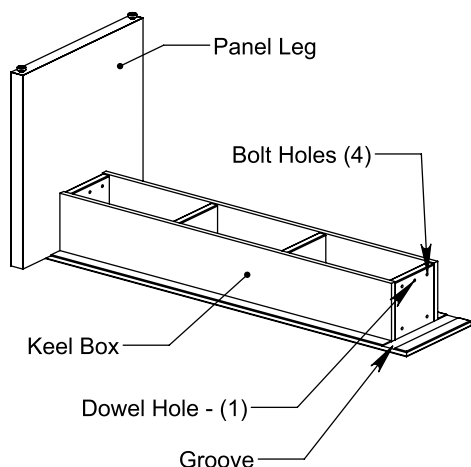
Panel Base with Keel

Please read these instructions thoroughly before starting assembly.
Failure to do so may result in damaged product.

SMART*desks*[™]

www.smartdesks.com

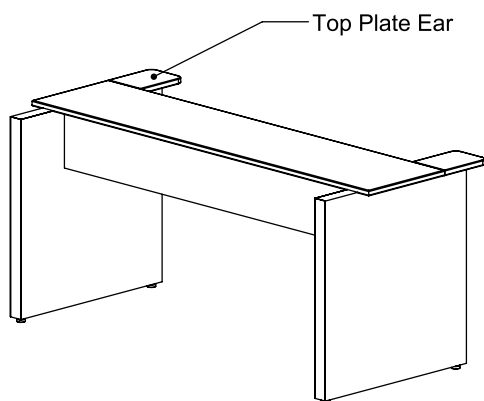
800 770 7042



(1). Lay the keel box on its top. Insert the panel leg into the groove and slip the alignment dowel into the keel box.

(2). Secure the panel leg to the keel box using the provided $5/16'' \times 2 \frac{1}{4}''$ lg bolts. Be sure to use a lock washer and flat washer on each of these bolts before tightening. **(Note: Do not over-tighten: a gentle snugging is adequate)**

(3). Repeat steps (1) and (2) to with the remaining panel leg.



(4). Slip the top plate ear onto the end of the panel leg and fasten in place with (3) #8 x 2.00''lg drywall screws. **Note: Do not use the 1.50''lg pan head screws for this application.)**

(5). Level the base by adjusting the glides located on the bottom edge of the panel legs.

(6). Place the table top onto the base and center it.

(7). Locate the provided #8 x 1.5''lg pan head screws and verify they will not protrude through the table top once fully screwed in through the top plate. **(Note: Failure to perform this step can result in a damaged table top.)**

(8) Once screw length is verified, screw the table top to the base through the predrilled holes located in the top plate using the #8 x 1.5''lg pan head screws. **(Note: Do not use the #8 x 2''lg drywall screws for this step. Doing so will result in a damaged table top.)**

