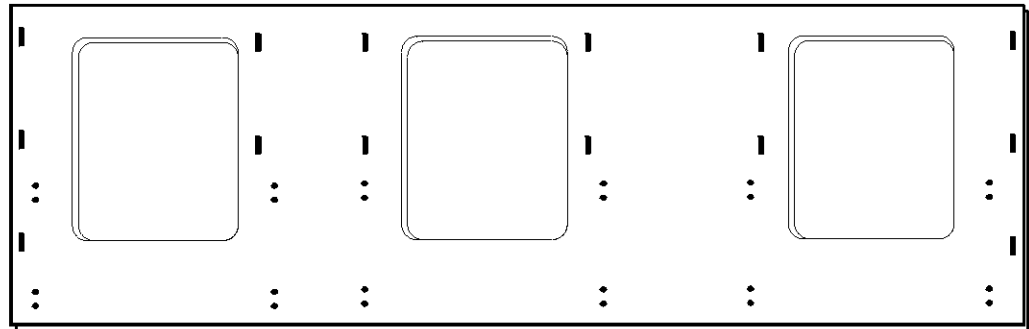


## Panel List

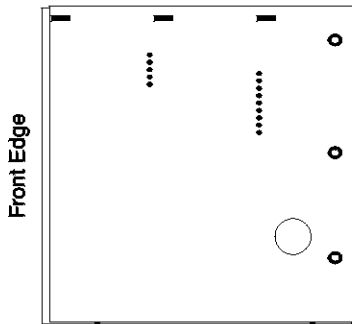
**Note: Separate and stack panels by like types before beginning assembly process.**

1 Desk Top Panel • 1 Back Panel • 1 Left End Panel • 1 Right End Panel • 2 Left Center Supports •  
2 Right Center Supports • 3 Keyboard/Mouse Platforms • 3 Monitor Shelves • 1 CPU Bottoms • 1 CPU Convertible Shelves

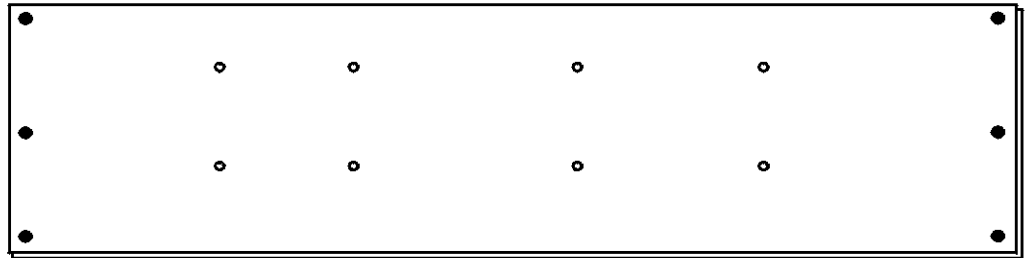
- = Cam Fitting
- = Cam Hole
- = Screw Hole/Spoon Pin
- = RV Fitting



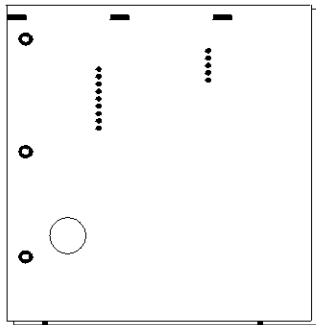
Desk Top Panel (1 ea.)



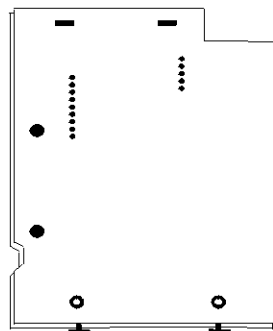
Left End Panel (1 ea.)



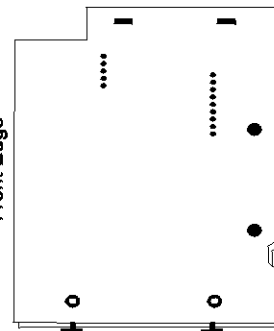
Back Panel (1 ea.)



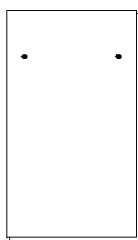
Right End Panel (1 ea.)



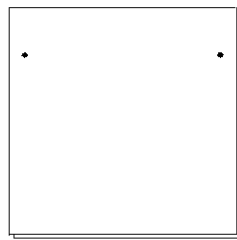
Left Center Support Panel (2 ea.)



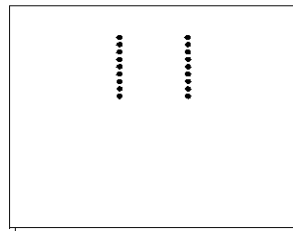
Right Center Support Panel (2 ea.)



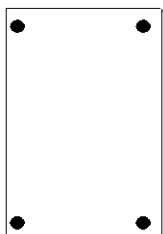
Convertible CPU Shelf (1 ea.)



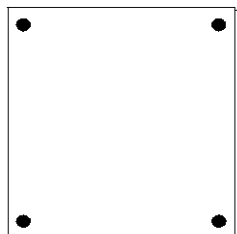
Convertible CPU Shelf (2 ea.)



Monitor Shelf - Right (3 ea.)



CPU Bottom (1 ea.)



CPU Bottom (1 ea.)



Keyboard/Mouse Platform - Right (1 ea.)

Smartdesks are packaged ready to be assembled. Included is a Master Parts and Panel List showing diagrams of all parts and hardware required for assembly. Please note, improper installation may void the Smartdesks warranty. To install correctly follow the enclosed instructions. If you need additional assistance or information please contact Technical Service at 410-922-6005. © Copyright Smartdesks 1999. All rights reserved.

## Hardware Inventory Sheet

**2 persons are needed to assemble Smartdesks Model TSR100**

### Unpack Parts and Hardware:

Parts and panels will vary according to Smartdesks model. See Parts & Panels List and Hardware Inventory Sheet. Please verify all parts and quantities prior to assembly. Contact the factory if your quantities are incomplete. *Note: All panels are predrilled ready for assembly.*

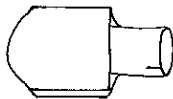
*Note: Also included in this package is a premanufactured keyboard/mouse platform support assembly for use with keyboard/mouse platform. Please follow separate assembly instructions.*

### Tools needed for assembly:

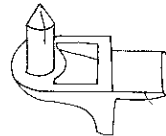
**Power drill with #2 Phillips screwdriver bit and regular #2 Phillips screwdriver.**

The following diagram shows the contents of the hardware bag.

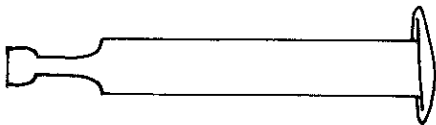
**Contents of Hardware Bag : (quantities for each desk - multiply by number of desks)**



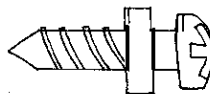
**8 ea.- Shelf Spoon Pins**  
for Monitor Shelf (rear holes)  
and CPU Shelf (rear holes)



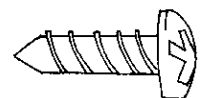
**2 ea. - Earthquake Pins**  
for Convertible CPU Cabinet  
Shelf (front holes only)



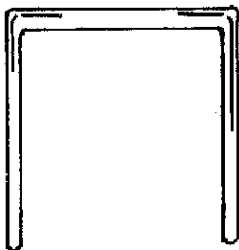
**22 ea. - Cam Pins**  
push through holes in panels.  
(Side Panels, Back Panels,  
Support Panels)



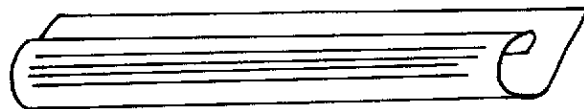
**6 ea. - 5mm Locking Screws**  
1 pair for each Monitor  
Shelf front.



**24 ea. - Mounting  
Bracket Screws**  
for keyboard bracket



**3 ea. - Wire Monitor  
Support Wickets**  
for Monitor Shelf



**3 ea. - Wire Troughs**  
black PVC used to contain  
wiring inside rear of  
Back Panel

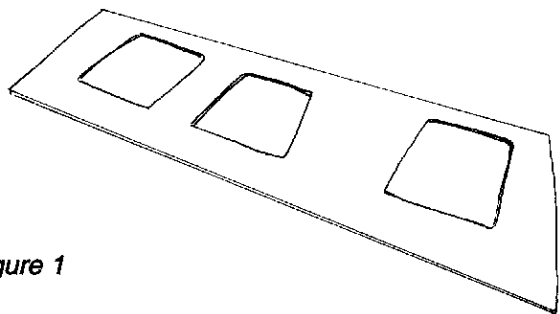


Figure 1

**STEP 1 - Desk Top & Side Panel Assembly**

In a clean work area lay Desk Top Panel with desk top facing down on the floor on cardboard or carpet/ packing quilt. (Fig. 1)

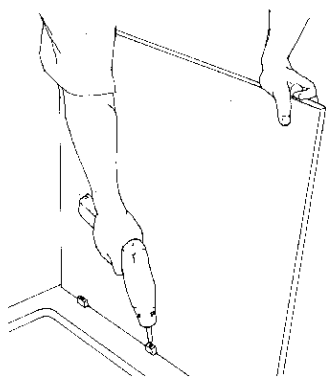


Figure 2

Lift and place Right Side Panel into 90° vertical position with fittings facing in. While holding right panel in vertical position, match RV Fittings to one another and snap panel into place. Use power drill to tighten the screw contained in the RV Fitting. (Fig.2) Each RV Fitting contains a screw to lock the hardware once the panels have been snapped into place. Warranty is void if all locking screws have not been tightened. RV Fittings come preinstalled in panels and are equally spaced along Desk Top edge. Tighten all remaining RV Fittings along panel edge. (Fig.3)

Repeat STEP 1 for the installation of the Left Side Panel.

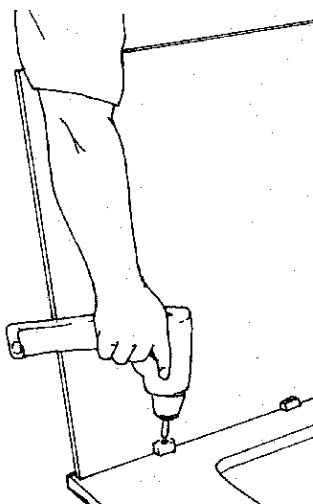


Figure 3

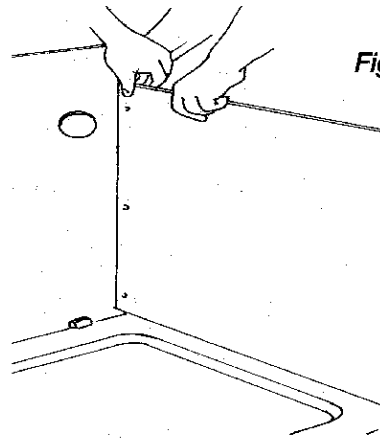


Figure 4

**STEP 2 - Back Panel To Sides Assembly**

*NOTE: 2 person assembly required for proper fit.*

Slide Back Panel into position between two Side Panels matching the cam fittings to the holes at top. It is necessary for 2 people to accomplish this assembly. Vertical panels cannot be left standing unsupported (Fig.4) Insert top 2 Cam Pins through Left and Right End Panels into cam fittings. (Fig. 5) Start at the top cam of each end panel when inserting Cam Pins and move down each end panel alternating as Cam Pins are inserted. Make sure arrows on Cam Pins are facing out (3 pm clock position). Tighten about 1/4 turn with screwdriver until it locks into place.(Fig. 6) Repeat this step for remaining 4 Cam Pins. The Cam Pin is a steel to steel assembly which ensures heavy duty strength when assembled.

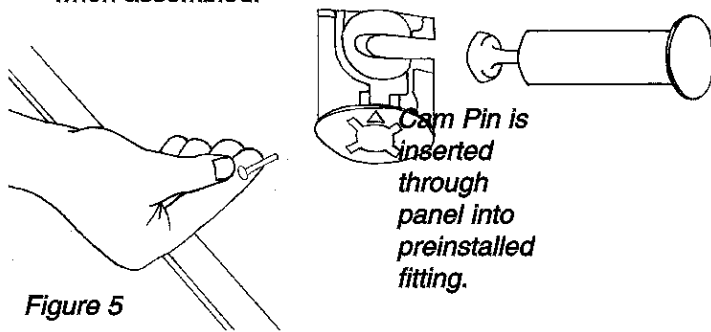


Figure 5

Cam Pin is inserted through panel into preinstalled fitting.

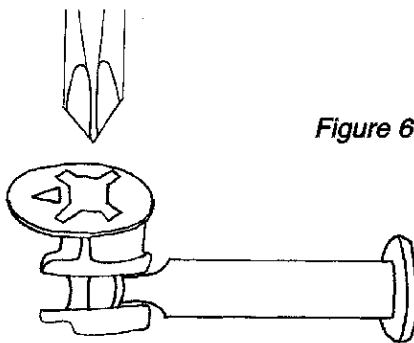
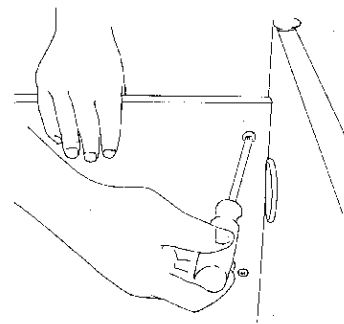


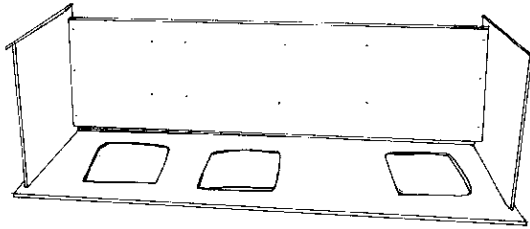
Figure 6

Check to verify that arrow is pointing perpendicular to pin when Cam is locked.



(Once Back Panel is secured to Left and Right Side Panels, the "shell" of the desk is assembled. See Figure 7 on next page)

Figure 7 Smartdesks with Side & Back Panels Assembled



### STEP 3 - Center Support Panel CPU Cabinet Assembly

NOTE: 2 person assembly is required for proper fit.

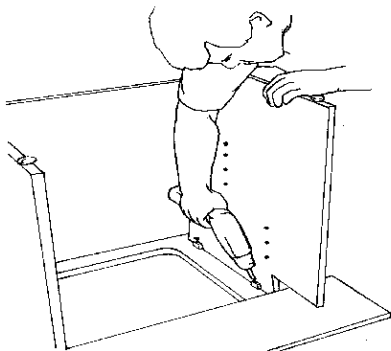
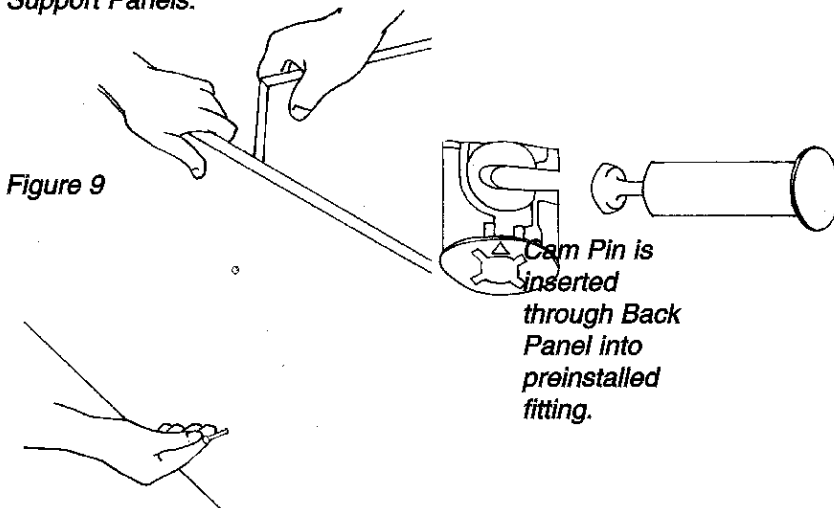


Figure 8

Hold Center Support Panel in 90° vertical position with the corner notch facing away from Back Panel. (This allowance is for the Keyboard/Mouse Platform.) Match RV Fittings to one another and snap panel into place. Use power drill to tighten the screw contained in the RV Fitting. (Fig. 8) Cam Pin holes in Back Panel should align with Cams in Center Support Panel. Insert Cam Pin through back panel into cam fitting. (Fig. 9) You may have to flex Back Panel up and down slightly to get Cam Pin to slide into hole. Tighten with screwdriver until it locks into place. Check to verify that the arrow is facing out. Repeat this step for remaining Cam Pin. The Center Support Panel is now locked into position.

Repeat STEP 3 for installation of remaining Center Support Panels.



Cam Pin is inserted through Back Panel into preinstalled fitting.

### STEP 4 - Installation of CPU Bottom

NOTE: 2 person assembly required for proper fit.

The CPU Bottom is not adjustable. Make sure arrows on Cams are facing out. Slide the CPU bottom into position. (Fig10) Aligning the CPU Bottom with the predrilled holes, insert Cam Pin through the CPU Side Panel into cam fitting. Tighten with screwdriver until it locks into place. Repeat this step for remaining 3 Cam Pins. (Fig. 11)

Repeat STEP 4 for installation of remaining CPU Bottoms

Figure 10

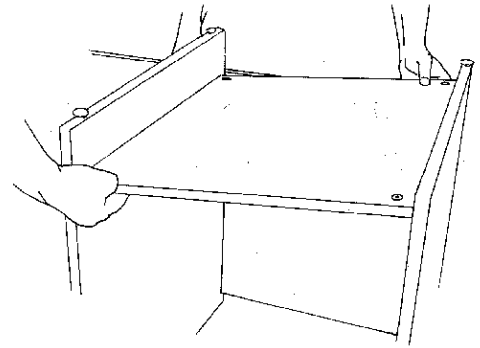
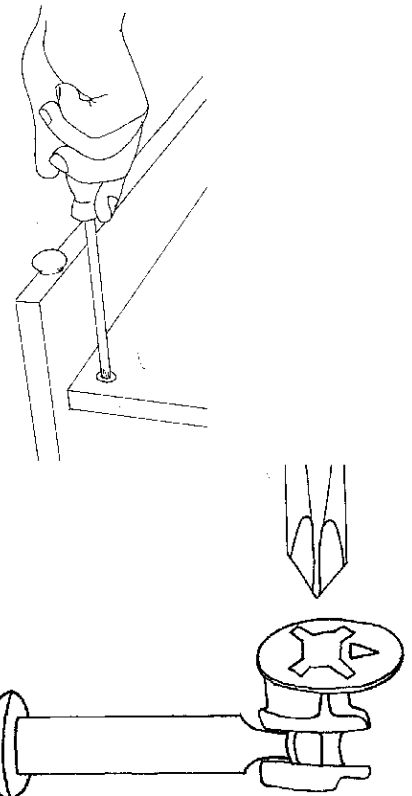
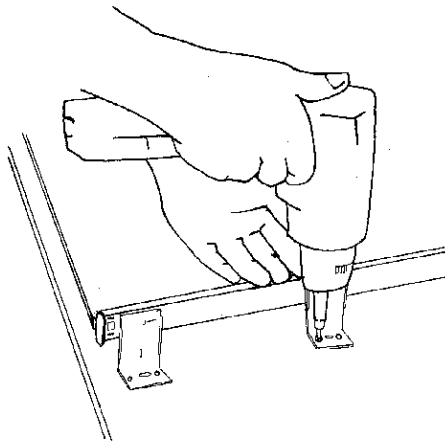


Figure 11



Check to verify that arrow is pointing perpendicular to pin when Cam is locked.

Figure 12



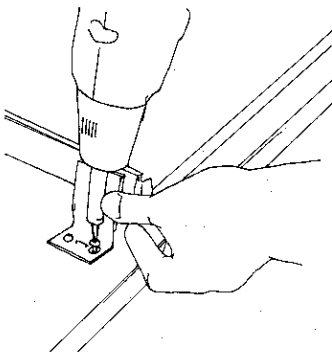
### STEP 5 - Mounting Keyboard/Mouse Platform Hardware

Follow installation instructions for Keyboard/Mouse Platform hardware contained in Keyboard/Mouse Platform hardware kit. Once assembled, each keyboard slide must be mounted parallel to each side and perpendicular to the work surface front. Assemble left and right Keyboard/Mouse Platform pull-out supports by sliding on a set of matching mounting brackets with tabs of mounting brackets facing outward. Keyboard/Mouse Platform is now ready to be mounted to desk top. With bracket screw holes aligning the pre drilled holes in Desk Top Panel, position Keyboard/Mouse Platform for mounting. 1/8" lip is located at the rear and top side of the Keyboard/Mouse Platform.

Tighten the Mounting Bracket Screw into Desk Top Panel making sure tabs of mounting brackets are facing out. (Fig. 12) 2 Mounting Bracket Screws are used in each bracket. Tighten remaining Mounting Bracket Screws to complete mounting of Keyboard/Mouse Platform. (Fig. 13)

Repeat STEP 5 for installation of remaining Keyboard/Mouse Platform Hardware.

Figure 13



### STEP 6 - Flip Desk 180° to Upright Position

Note: 2 persons required for this step.

Roll desk on its back then to its upright position.

### Step 7 - Installation of Monitor Shelf

**NOTE:** Use Shelf Spoon Pins for preliminary steps of this install. This allows you to test the placement of the monitor height before permanently attaching the shelf. Do not leave the shelf this way because you will void the warranty and the monitor may fall.

For a 17" monitor, insert 4 shelf pins in the fourth hole up from the bottom in the staggered rows of holes pre-drilled in the panel sides below the opening in the work surface. Temporarily slide the monitor shelf into place, allowing the shelf pins to slip into the cam slots on the underside of the shelf. Temporarily place the monitor on the shelf. The monitor should sit approximately 1/2" below the top of the surface and as far back as possible within the opening. You may also have to move the shelf and pins up or down to find the ideal location. For a 14" monitor, start the pins in the 6th hole up from the bottom. For 19" monitors, start at the second hole.

When you have determined the correct height, remove the monitor and shelf and replace the shelf pins with four 5mm Locking screws. Replace the shelf and tighten the cams on the underside of the shelf with a #2 Phillips screwdriver. (Fig. 14) Once the cams are tightened the shelf becomes a fixed structural member that prevents lateral movement from separating the panels and causing the support to collapse. Failure to tighten the locking cams will void the warranty.

Repeat STEP 7 or installation of remaining Monitor Shelf

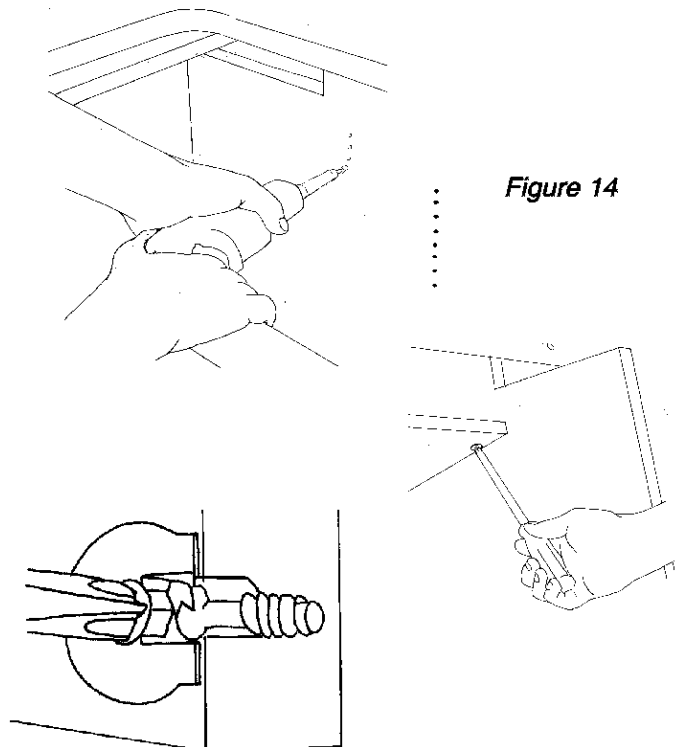


Figure 14

(Fig. 15) The Monitor Shelf is adjustable only until you achieve proper angle and height for your monitor. It is a trial and error approach until you find the best location for the pins.

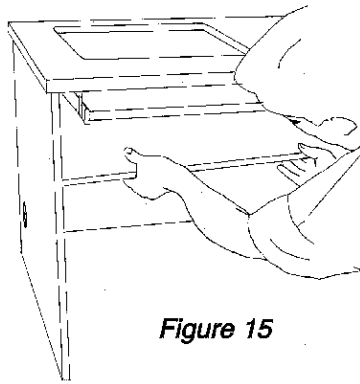


Figure 15

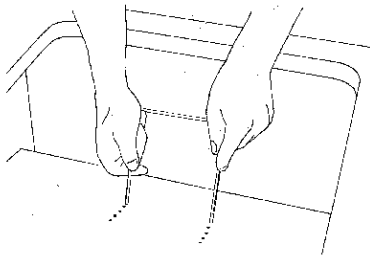


Figure 16

### STEP 8 - Installation of Monitor Support Wicket

The Monitor Support Wicket holds the monitor forward on the Monitor Shelf. Before monitor is placed on the Monitor Shelf, insert Monitor Support Wicket into one of the sets of the predrilled holes on Monitor Shelf.

(Fig. 16) Place monitor on Monitor Shelf.

*NOTE: Monitor should sit as far forward as possible without obstructing access to monitor controls.*

Repeat STEP 8 or installation of remaining Monitor Support Wickets

### STEP 9 - Installation of Convertible CPU Shelf

Slide convertible CPU Cabinet Shelf into position after tower CPUs are installed or after first desktop CPU is installed. A series of predrilled parallel holes are located front and back of the Center Support Panels. These holes are to make individual adjustments for your CPU Shelf. Push Shelf Spoon Pins into front holes and push Earthquake Pins in rear holes. The use of Earthquake Pins provides locking stability so the shelf will not slide forward. The Convertible CPU Cabinet Shelf converts the cabinet to accommodate either tower or desktop CPU case configuration. If you are using both a tower and a desktop CPU case, install the tower CPU case below the desktop case (this configuration may not be possible if the lower CPU case is too tall).

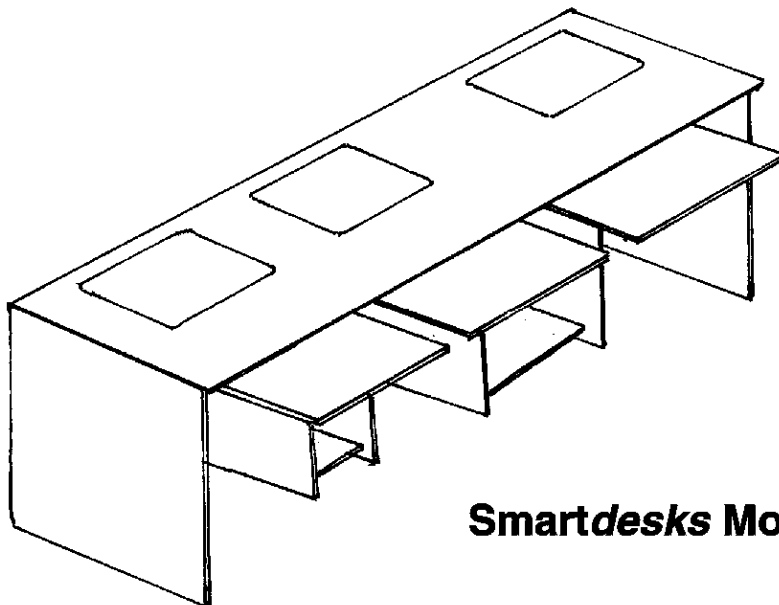
Repeat STEP 9 or installation of remaining Convertible CPU Shelf.

### STEP 10 - Installation of Wire Trough

Once computer and wiring is installed, the black PVC Wire Trough can be used to neatly contain wiring. Position black plastic Wire Trough near grommet in Side Panel and near notches at Center Panel. Hold Wire Trough approx. 1" up from bottom of Back Panel in line with gromets and scallops on dividers. Peel off PSA tape on rear of Wire Trough and stick to inside rear of Back Panel.

Repeat STEP 10 for installation of 2 remaining Wire Troughs in knee space.

**Smartdesks have been designed and tested as an ergonomically correct and space saving unit. For more information on this and other Smartdesks products, call 1-800-770-7042 or visit our website at <http://www.smartdesks.com>**



**Smartdesks Model TSR100**