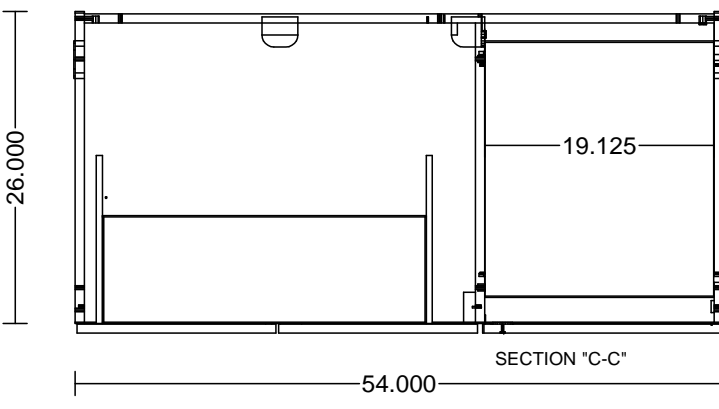
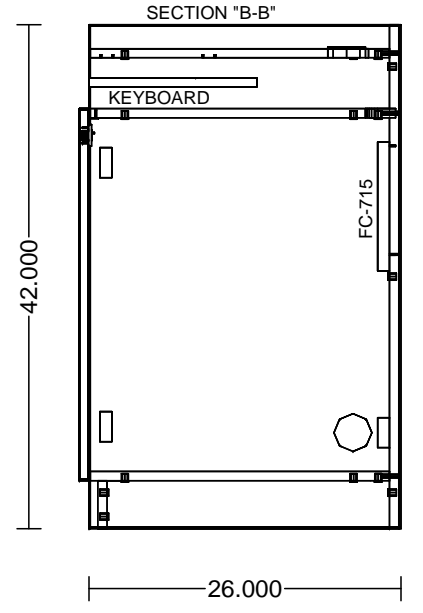
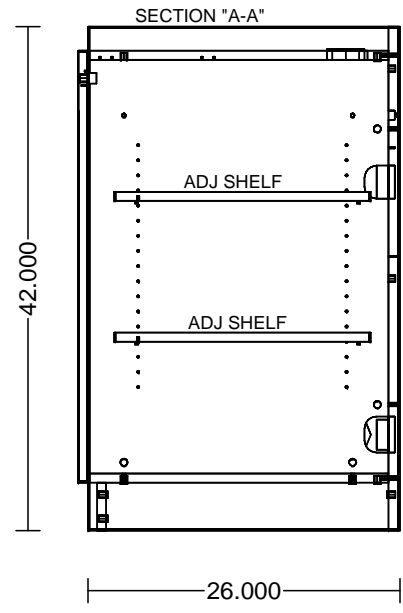
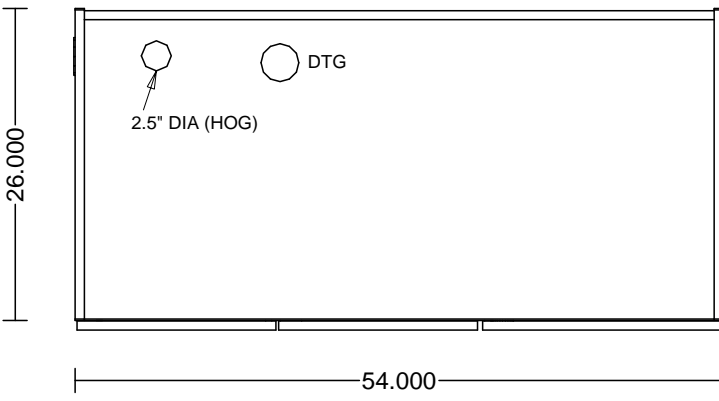
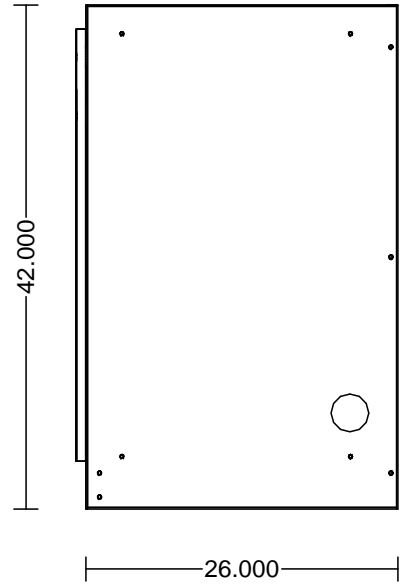
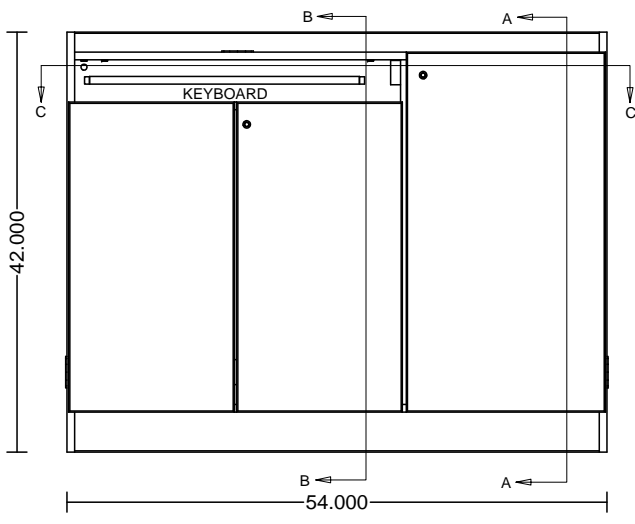


MATERIAL:
 FINISH:
 EDGE:



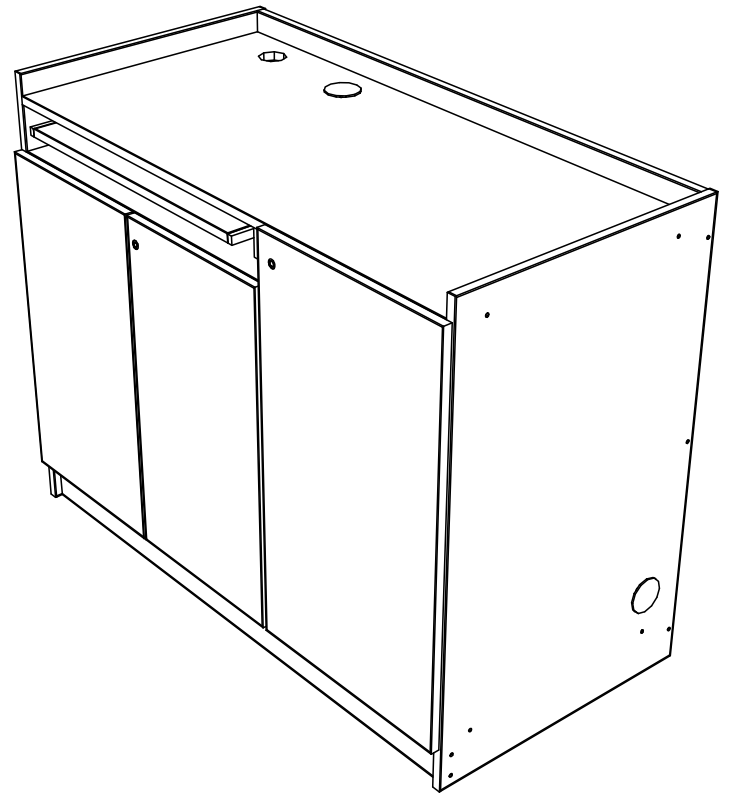
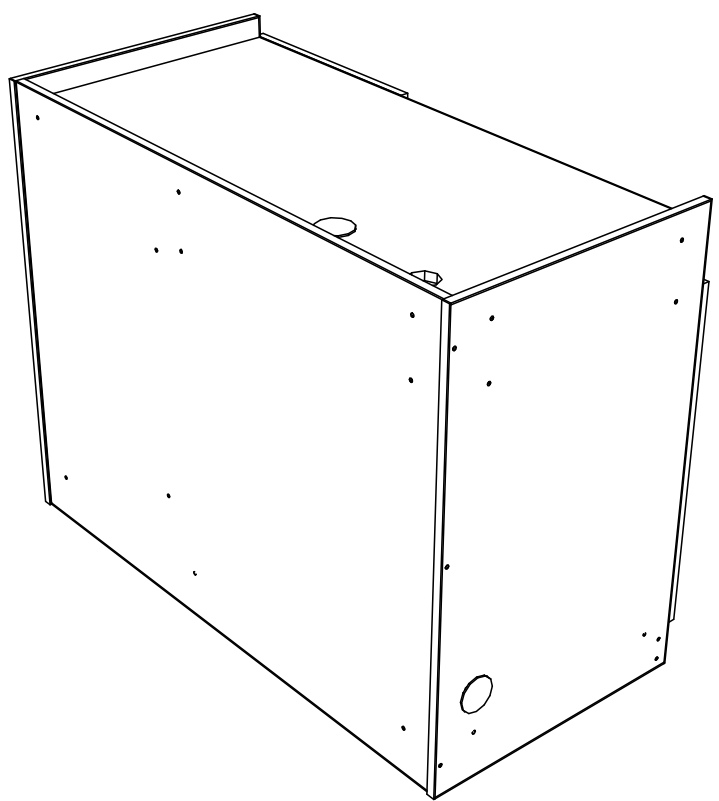
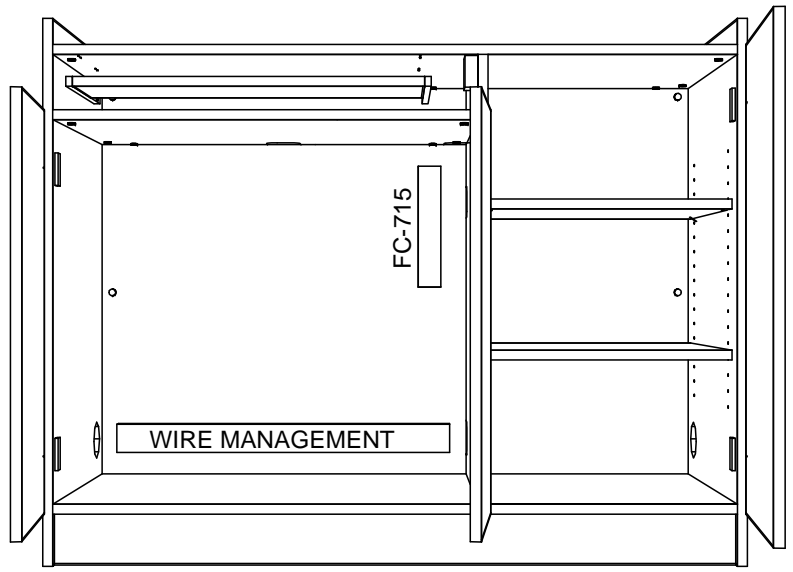
| REVISIONS | | | |
|-----------|------|----|-------------|
| SYM | DATE | BY | DESCRIPTION |
| | | | |
| | | | |
| | | | |
| | | | |

| TOLERANCES | |
|----------------------------|--|
| UNLESS SPECIFIED OTHERWISE | |
| DECIMALS | |
| .X | |
| .XX | |
| .XXX | |
| ANGLE | |

| | |
|---|----------|
| PART NAME MDT-542642-LKF | |
| DATE: | DRWN BY: |
| SCALE: | CAD NO.: |
| CHK'D BY: | CNC NO.: |
| <small>NOTICE: This drawing is the property of CBT Supply, Inc. dba SMARTdesks and contains proprietary information that is not to be used except in the consideration of bids or proposals tendered herewith. Reproductions or copying of the drawing, in whole or in part, is prohibited.</small> | |


 where design meets technology™
 800.770.7042
 www.Smartdesks.com
 PRODUCT GROUP
 DRAWING NO. REV.

MATERIAL:
 FINISH:
 EDGE:



| REVISIONS | | | | TOLERANCES | PART NAME | |
|-----------|------|----|-------------|----------------------------|--|----------|
| SYM | DATE | BY | DESCRIPTION | UNLESS SPECIFIED OTHERWISE | MDT-542642-LKF | |
| | | | | DECIMALS | DATE: | DRWN BY: |
| | | | | .X : _____ | SCALE: | CAD NO.: |
| | | | | .XX : _____ | CHK'D BY: | CNC NO.: |
| | | | | .XXX : _____ | NOTICE: This drawing is the property of CBT Supply, Inc. dba SMARTdesks and contains proprietary information that is not to be used except in the consideration of bids or proposals tendered herewith. Reproductions or copying of the drawing, in whole or in part, is prohibited. | |
| | | | | ANGLE : _____ | DRAWING NO. | |
| | | | | | REV. | |



PRODUCT GROUP
 DRAWING NO.
 REV.