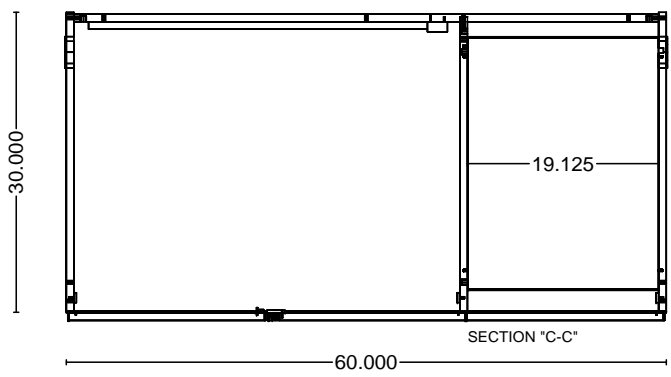
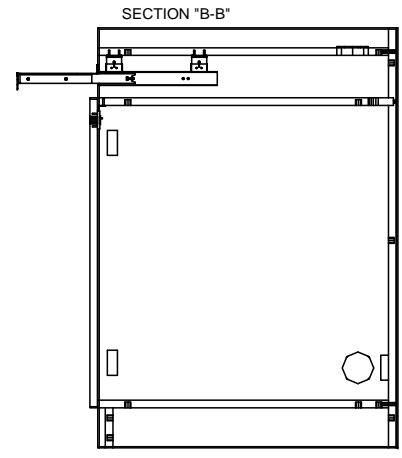
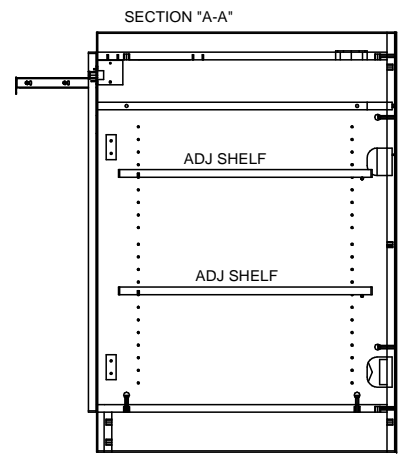
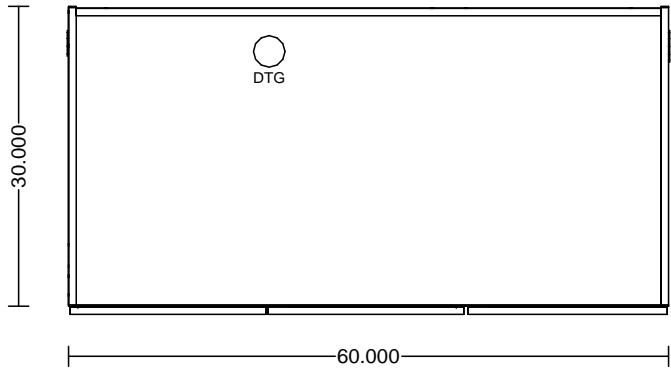
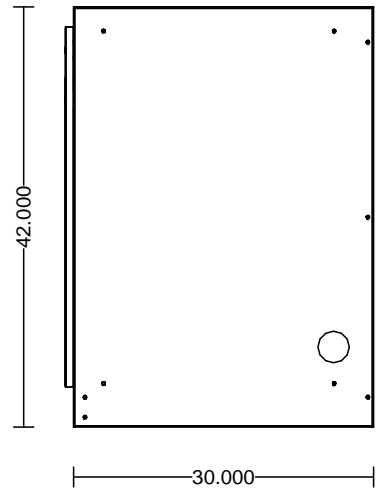
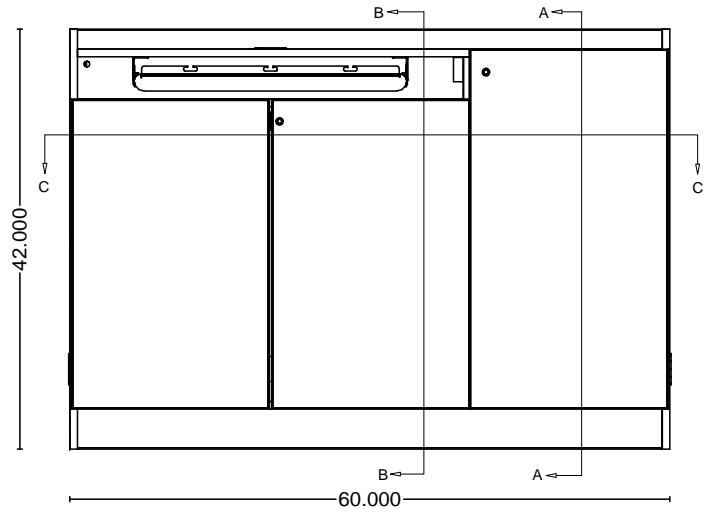


MATERIAL:  
 FINISH:  
 EDGE:



REVISIONS			
SYM	DATE	BY	DESCRIPTION

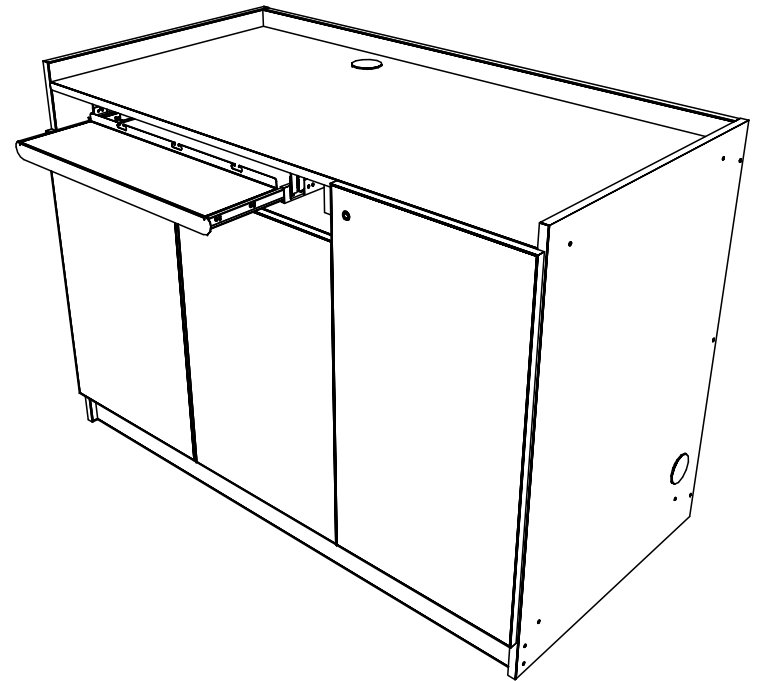
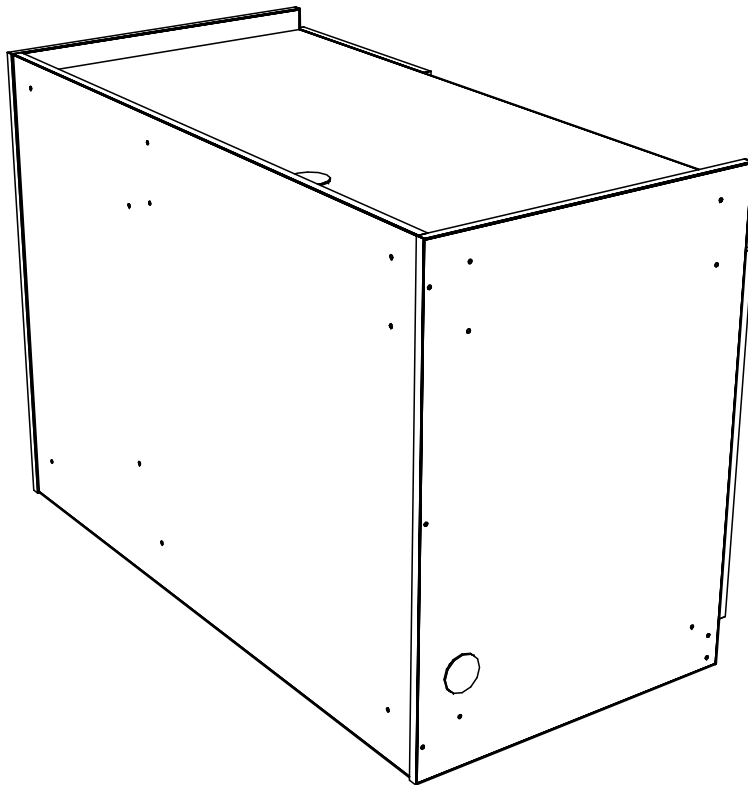
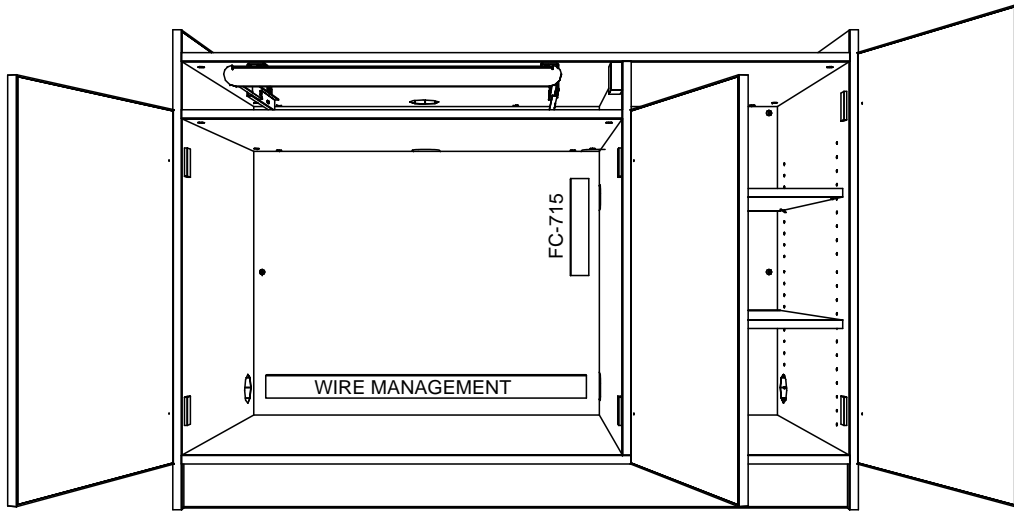
TOLERANCES	
UNLESS SPECIFIED OTHERWISE	
DECIMALS	
.X	: —
.XX	: —
.XXX	: —
ANGLE	: —

PART NAME	
MDT-603042-LK9	
DATE:	DRWN BY:
SCALE:	CAD NO.:
CHK'D BY:	CNC NO.:
<small>NOTICE: This drawing is the property of GSI Supply, Inc. dba SMARTdesks and contains proprietary information that is not to be used except in the consideration of bids or proposals tendered herewith. Reproductions or copying of the drawing, in whole or in part, is prohibited.</small>	

**SMARTDESKS**  
 where design meets technology™  
 800.770.7042  
 www.Smartdesks.com

PRODUCT GROUP  
 DRAWING NO.      REV.

MATERIAL:  
 FINISH:  
 EDGE:



REVISIONS				TOLERANCES	PART NAME	
SYM	DATE	BY	DESCRIPTION	UNLESS SPECIFIED OTHERWISE	MDT-603042-LK9	
				DECIMALS	DATE:	DRWN BY:
				.X : _____	SCALE:	CAD NO.:
				.XX : _____	CHK'D BY:	CNC NO.:
				.XXX : _____	NOTICE: This drawing is the property of CBT Supply, Inc. dba SMARTdesks and contains proprietary information that is not to be used except in the consideration of bids or proposals tendered herewith. Reproductions or copying of the drawing, in whole or in part, is prohibited.	
				ANGLE : _____	PRODUCT GROUP	
					DRAWING NO.	
					REV.	



800.770.7042  
 www.Smartdesks.com