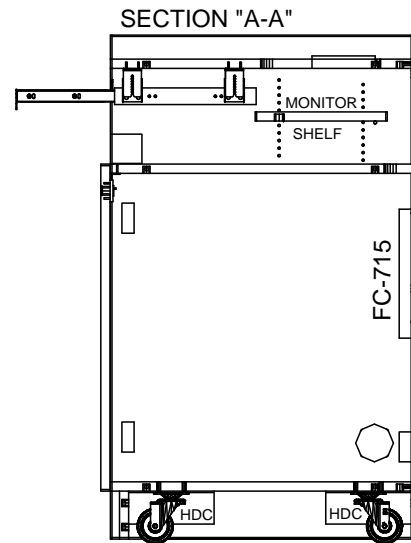
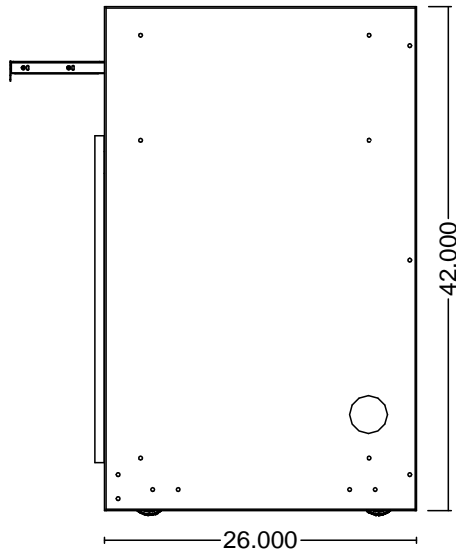
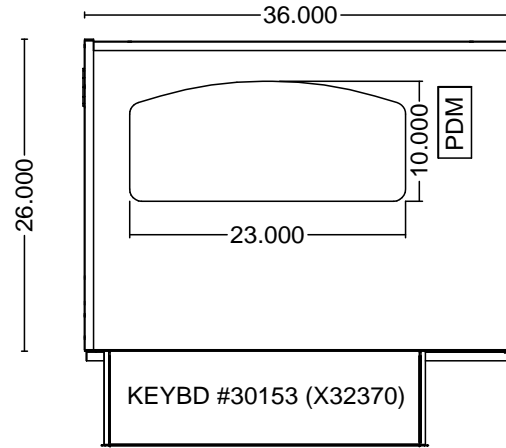
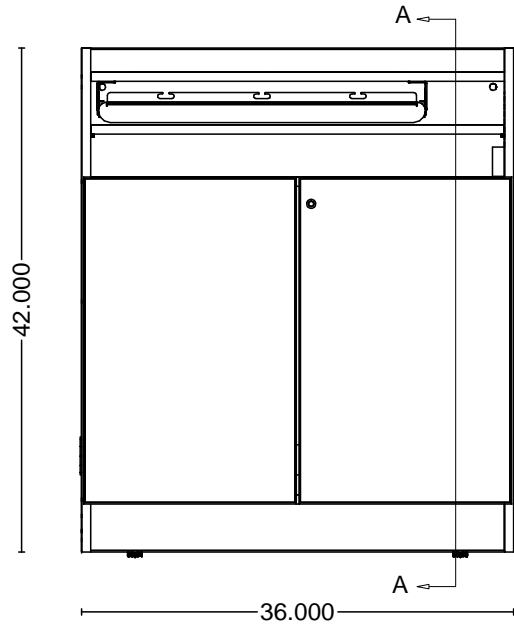

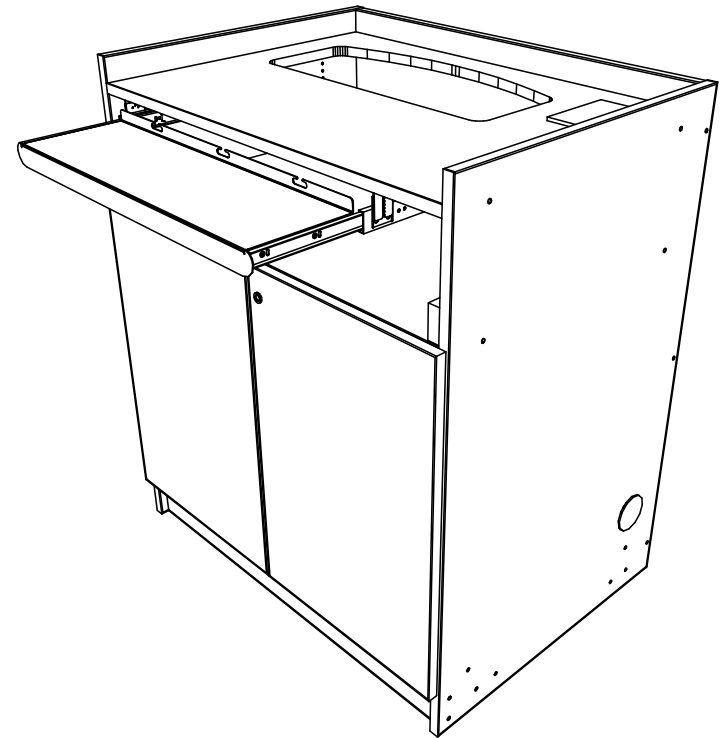
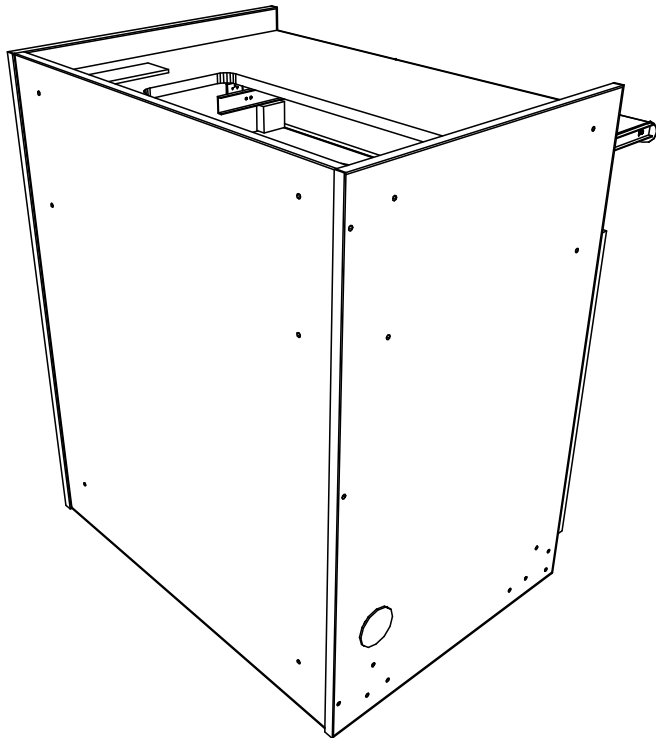
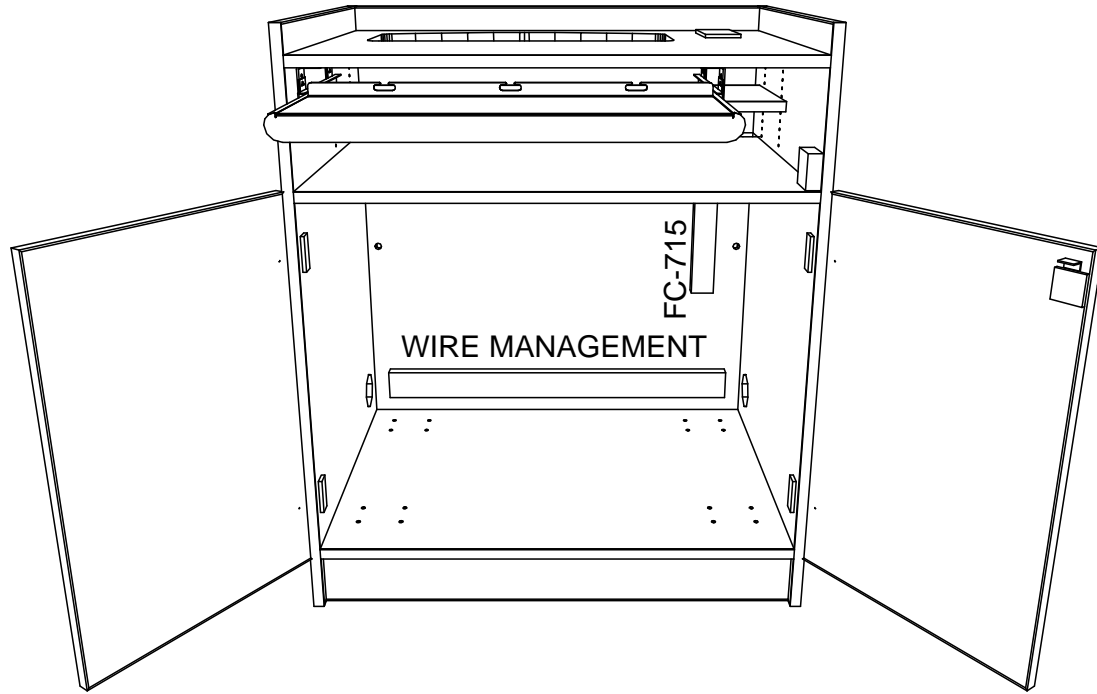


MATERIAL:
 FINISH:
 EDGE:



REVISIONS				TOLERANCES	PART NAME		 where design meets technology™ 800.770.7042 www.Smartdesks.com
SYM	DATE	BY	DESCRIPTION	UNLESS SPECIFIED OTHERWISE	DATE:	DRWN BY:	
				DECIMALS	SCALE:	CAD NO.	NOTICE: This drawing is the property of GBT Supply, Inc. dba SMARTdesks and contains proprietary information that is not to be used except in the consideration of bids or proposals tendered herewith. Reproductions or copying of the drawing, in whole or in part, is prohibited.
				.X : _____	CHK'D BY:	CNC NO.	
				.XX : _____			
				.XXX : _____			
				ANGLE : _____			PRODUCT GROUP DRAWING NO.
							REV.

MATERIAL:
 FINISH:
 EDGE:



REVISIONS				TOLERANCES	PART NAME	
SYM	DATE	BY	DESCRIPTION	UNLESS SPECIFIED OTHERWISE	MFP-362642-LKF	
				DECIMALS	DATE:	DRWN BY:
				.X : _____	SCALE:	CAD NO.:
				.XX : _____	CHK'D BY:	CNC NO.:
				.XXX : _____	NOTICE: This drawing is the property of GBT Supply, Inc. dba SMARTdesks and containing proprietary information that is not to be used except in the consideration of bids or proposals tendered herewith. Reproductions or copying of the drawing, in whole or in part, is prohibited.	
				ANGLE : _____	PRODUCT GROUP	
					DRAWING NO.	
					REV.	



800.770.7042
 www.Smartdesks.com