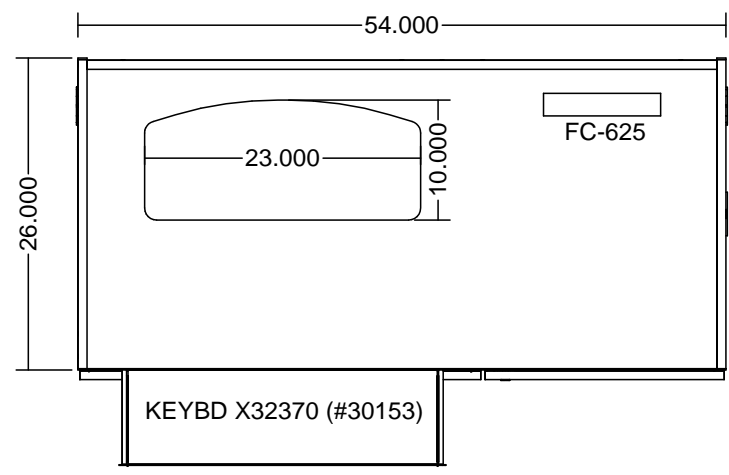
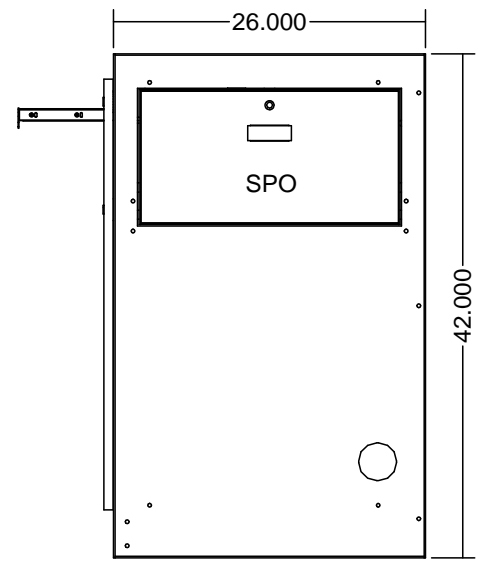
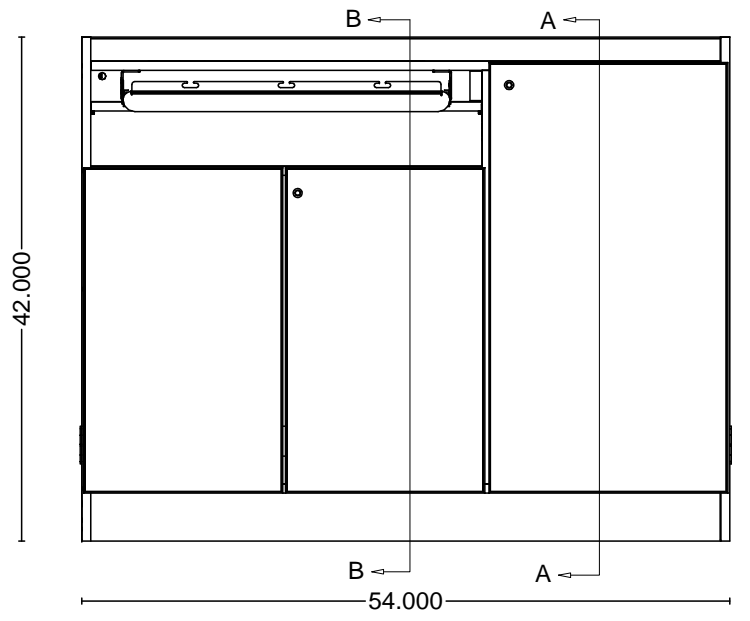
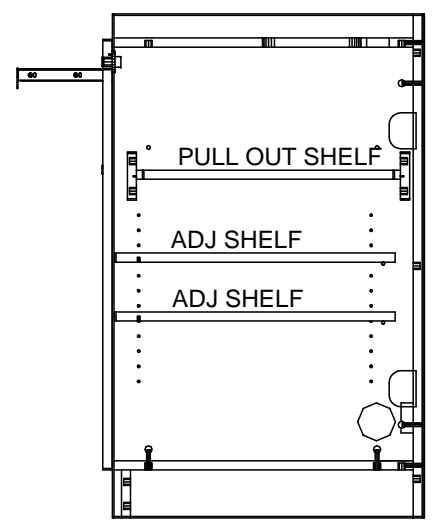


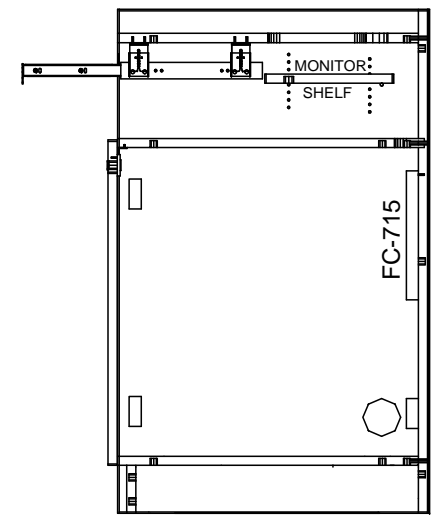
MATERIAL:  
 FINISH:  
 EDGE:



SECTION "A-A"



SECTION "B-B"

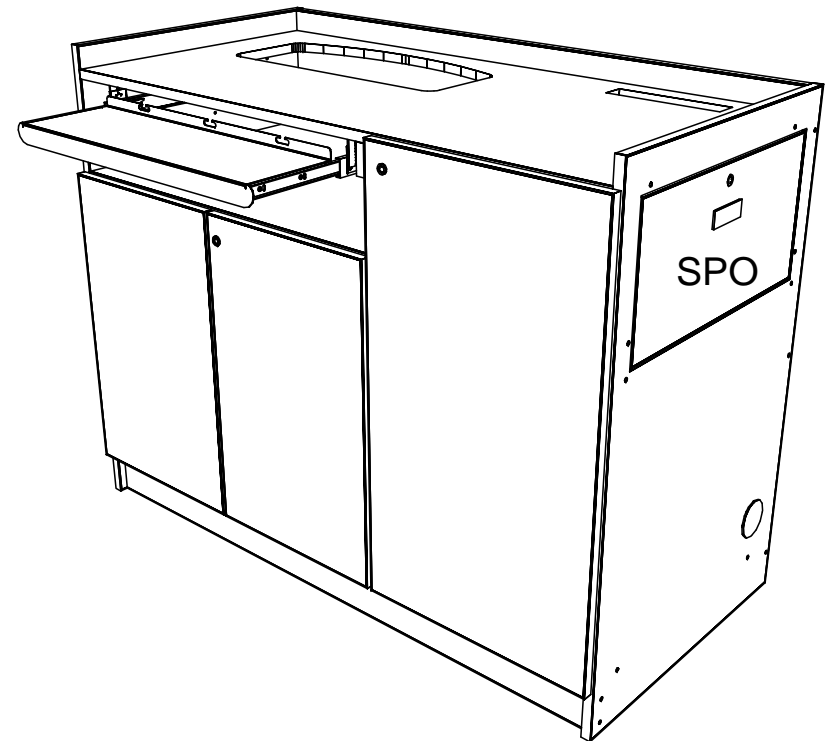
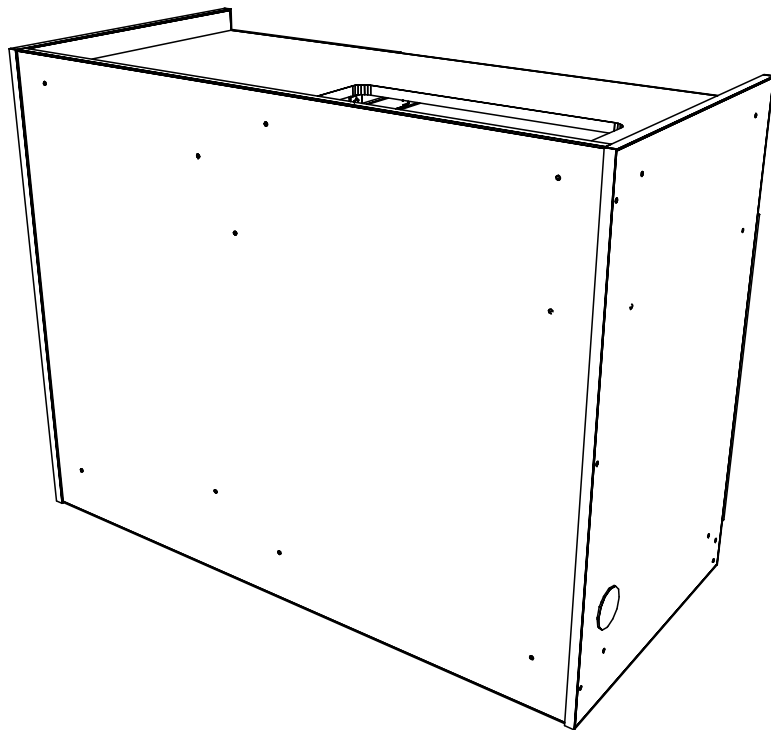
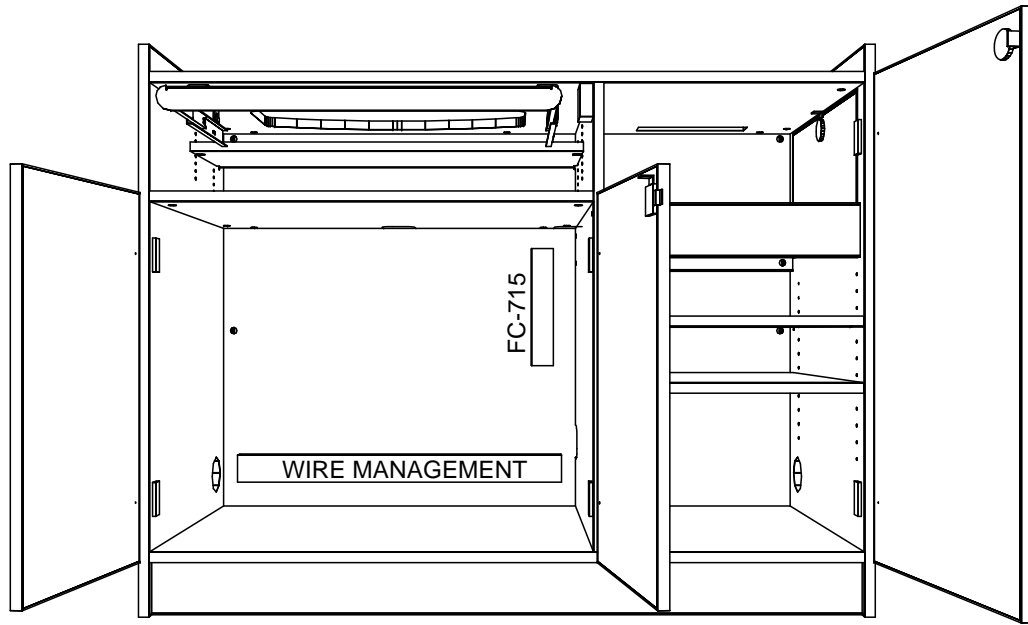



REVISIONS				TOLERANCES UNLESS SPECIFIED OTHERWISE	PART NAME	DATE:	
SYM	DATE	BY	DESCRIPTION			DATE:	DRWN BY:
				DECIMALS	SCALE:	CAD NO.	
				.X : —	CHK'D BY:	CNC NO.	
				.XX : —	NOTICE: This drawing is the property of GBT Supply, Inc. dba Smartdesks and containing proprietary information that is not to be used except in the consideration of bids or proposals tendered herewith. Reproductions or copying of the drawing, in whole or in part, is prohibited.		
				.XXX : —	PRODUCT GROUP		
				ANGLE : —	DRAWING NO.		
					REV.		

MFP-542642-LKF



MATERIAL:  
 FINISH:  
 EDGE:



REVISIONS				TOLERANCES	PART NAME	MFP-542642-LKF		 <small>where design meets technology™</small> 800.770.7042 <a href="http://www.Smartdesks.com">www.Smartdesks.com</a>
SYM	DATE	BY	DESCRIPTION	UNLESS SPECIFIED OTHERWISE	DATE:	DRWN BY:	PRODUCT GROUP	
				DECIMALS	SCALE:	CAD NO.		DRAWING NO.
				.X : —	CHK'D BY:	CNC NO.		
				.XX : —	<small>NOTICE: This drawing is the property of GBT Supply, Inc. dba SMARTdesks and contains proprietary information that is not to be used except in the consideration of bids or proposals tendered herewith. Reproductions or copying of the drawing, in whole or in part, is prohibited.</small>			
				.XXX : —				
				ANGLE : —				REV.