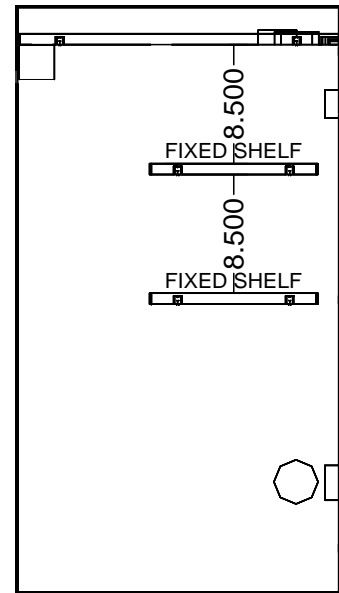


SECTION "A-A"



MATERIAL:
FINISH:
EDGE:

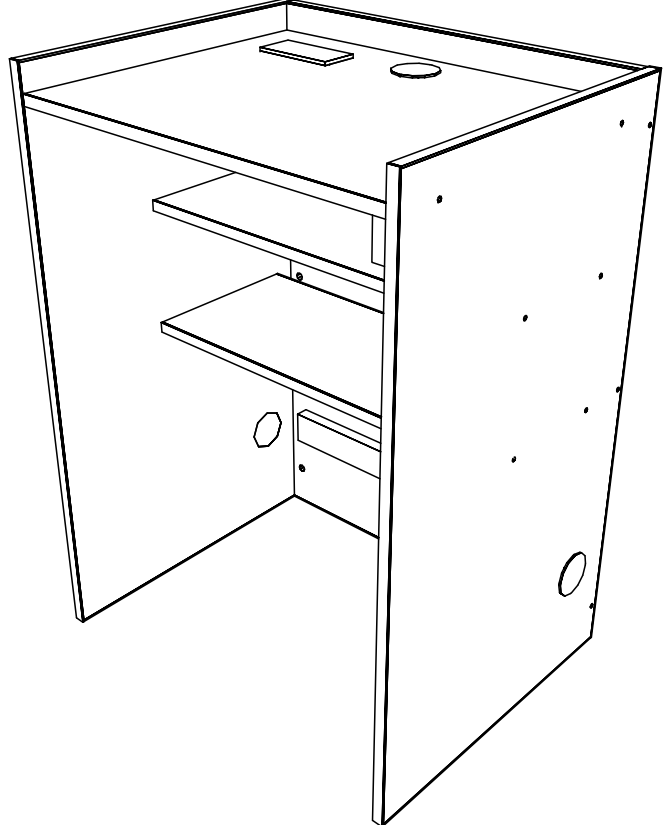
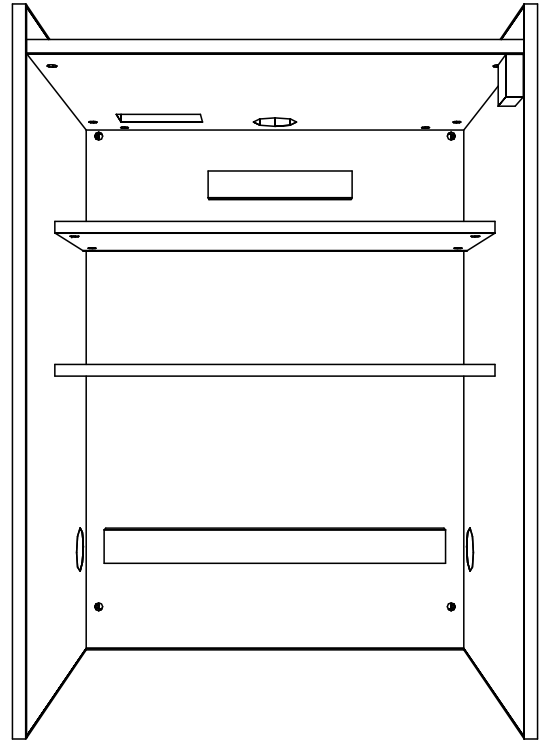
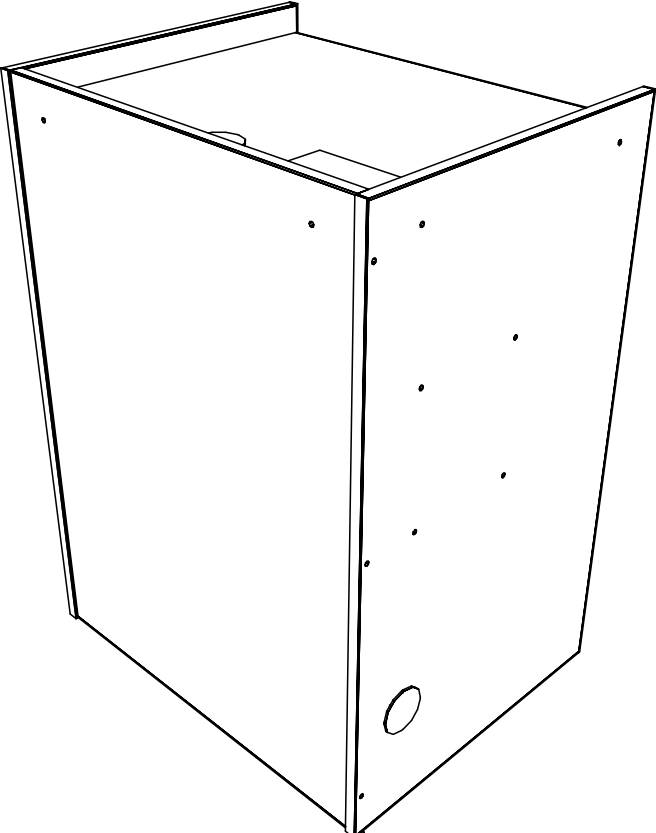
REVISIONS			
SYM	DATE	BY	DESCRIPTION

TOLERANCES UNLESS SPECIFIED OTHERWISE
DECIMALS
.X : —
.XX : —
.XXX : —
ANGLE : —

PART NAME	MLT-302442-XXL	
DATE:	DRWN BY:	
SCALE:	CAD NO.:	
CHK'D BY:	CNC NO.:	
<small>NOTICE: This drawing is the property of GBT Supply, Inc. dba SMARTdesks and containing proprietary information that is not to be used except in the consideration of bids or proposals tendered herewith. Reproductions or copying of the drawing, in whole or in part, is prohibited.</small>		

 <small>where design meets technology™</small> 800.770.7042 www.Smartdesks.com	
PRODUCT GROUP	DRAWING NO.
	REV.

MATERIAL:
 FINISH:
 EDGE:



REVISIONS				TOLERANCES UNLESS SPECIFIED OTHERWISE DECIMALS	PART NAME MLT-302442-XXL	DATE:		DRAWN BY:	
SYM	DATE	BY	DESCRIPTION			SCALE:	CAD NO.	CHK'D BY:	CNC NO.

SMARTdesks™
 514F Progress Drive
 Linthicum, MD 21090
 800.770.7042
 www.Smartdesks.com

PRODUCT GROUP
 DRAWING NO.
PO# 8438

REV.

NOTICE: This drawing is the property of GBT Supply, Inc. dba SMARTdesks and contains proprietary information that is not to be used except in the consideration of bids or proposals tendered herewith. Reproductions or copying of the drawing, in whole or in part, is prohibited.