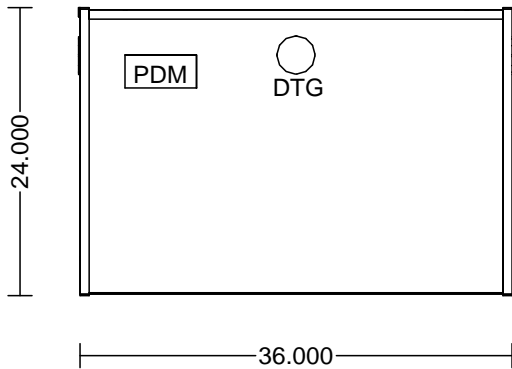
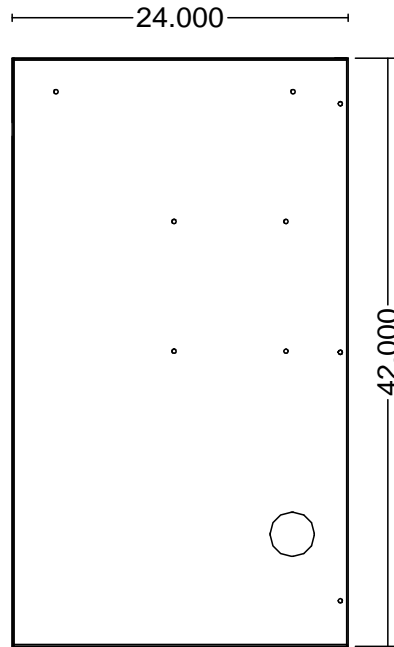
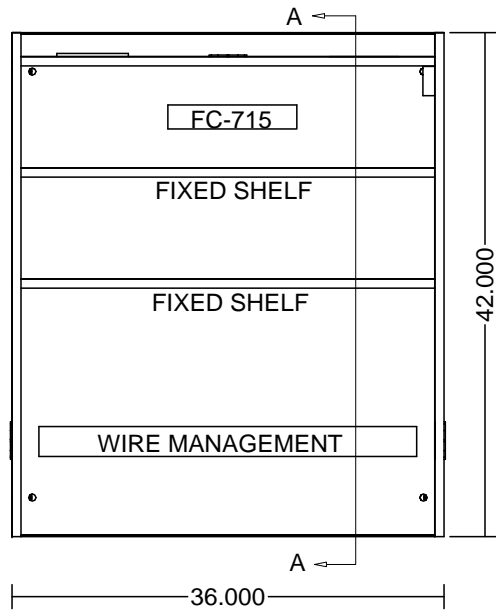
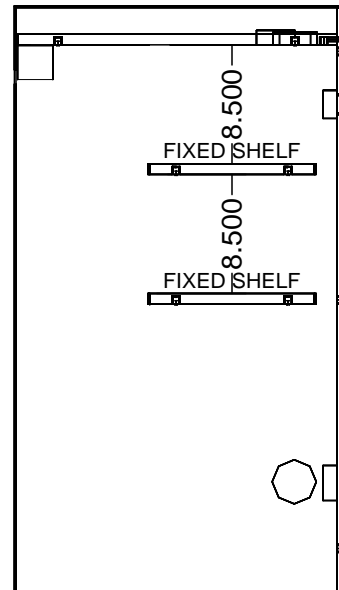


MATERIAL:
 FINISH:
 EDGE:



SECTION "A-A"



REVISIONS			
SYM	DATE	BY	DESCRIPTION

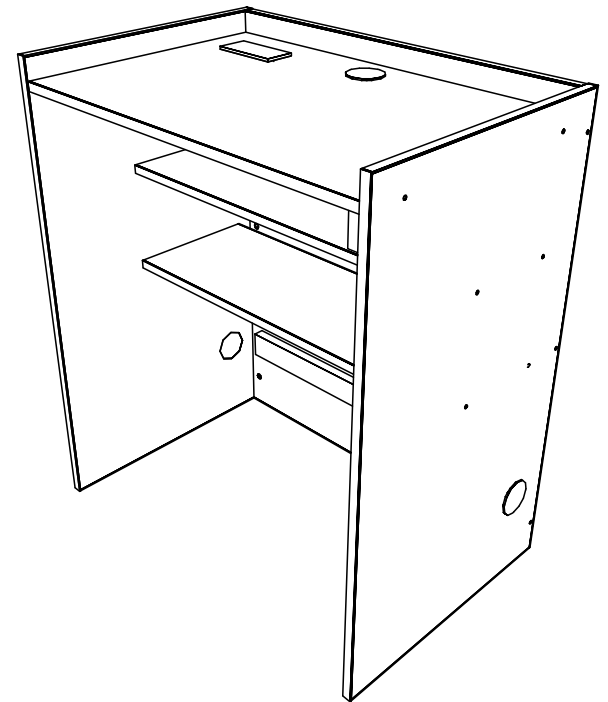
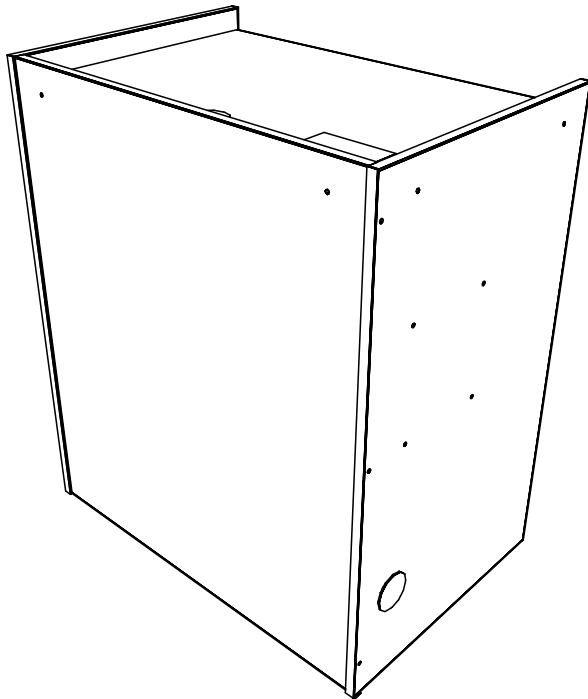
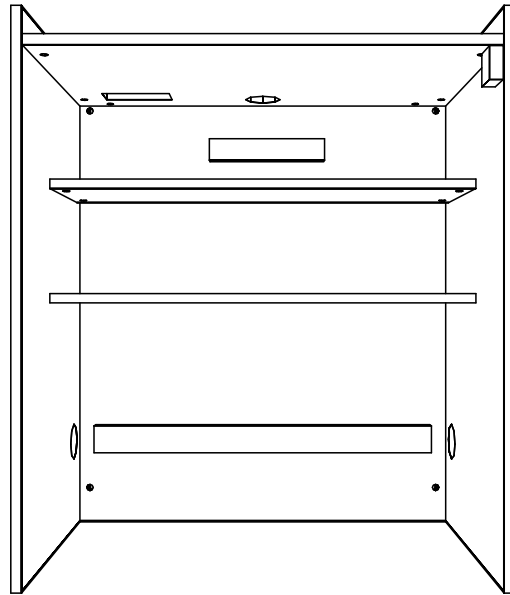
TOLERANCES UNLESS SPECIFIED OTHERWISE
DECIMALS
.X : ____
.XX : ____
.XXX : ____
ANGLE : ____

PART NAME	MLT-362442-xxL	
DATE:	DRWN BY:	
SCALE:	CAD NO.:	
CHK'D BY:	CNC NO.:	
<small>NOTICE: This drawing is the property of GBT Supply, Inc. dba SMARTdesks and containing proprietary information that is not to be used except in the consideration of bids or proposals tendered herewith. Reproductions or copying of the drawing, in whole or in part, is prohibited.</small>		


where design meets technology™
800.770.7042
www.Smartdesks.com

PRODUCT GROUP	DRAWING NO.	REV.

MATERIAL:
 FINISH:
 EDGE:



REVISIONS				TOLERANCES	PART NAME	
SYM	DATE	BY	DESCRIPTION	UNLESS SPECIFIED OTHERWISE	MLT-362442-xxL	
				DECIMALS	DATE:	DRWN BY:
				.X : _____	SCALE:	CAD NO.:
				.XX : _____	CHK'D BY:	CNC NO.:
				.XXX : _____	NOTICE: This drawing is the property of CBT Supply, Inc. dba SMARTdesks and contains proprietary information that is not to be used except in the consideration of bids or proposals tendered herewith. Reproductions or copying of the drawing, in whole or in part, is prohibited.	
				ANGLE : _____	PRODUCT GROUP	
					DRAWING NO.	
					REV.	

