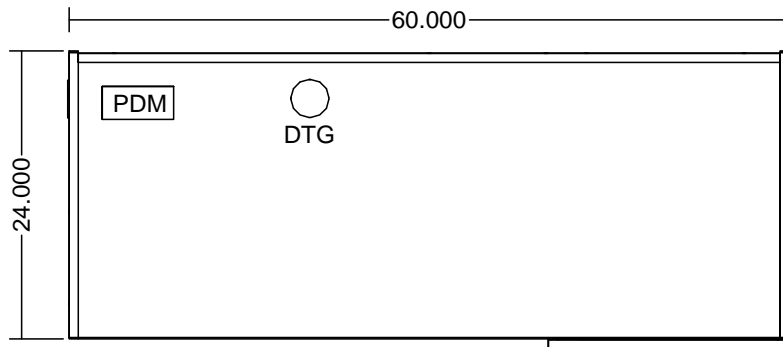
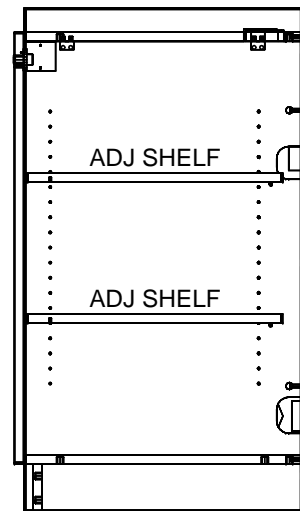


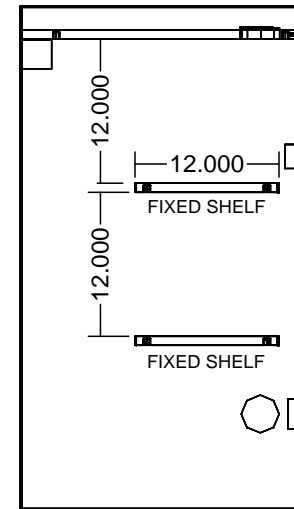
MATERIAL:  
FINISH:  
EDGE:



SECTION "A-A"



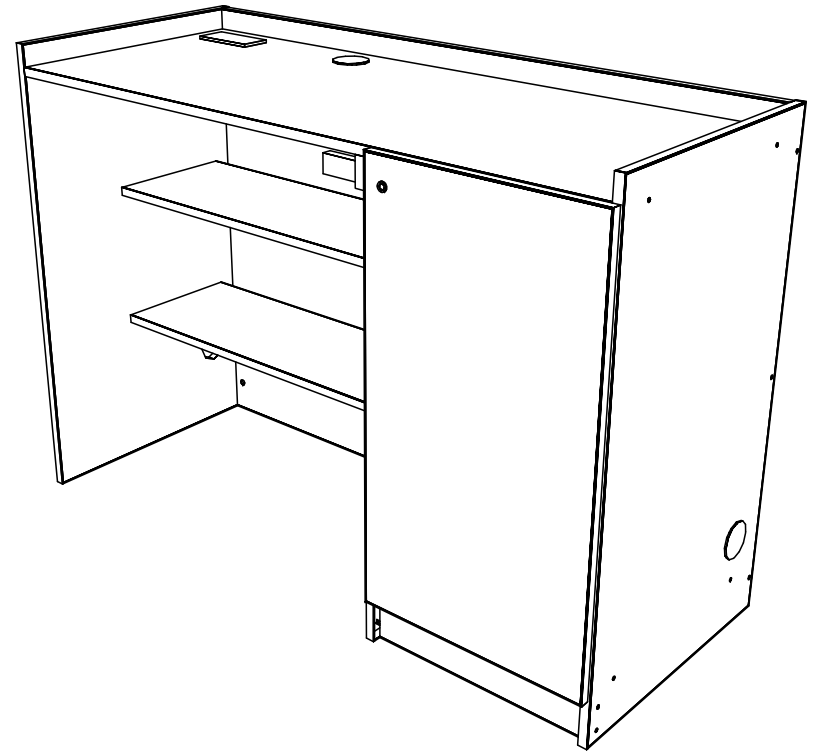
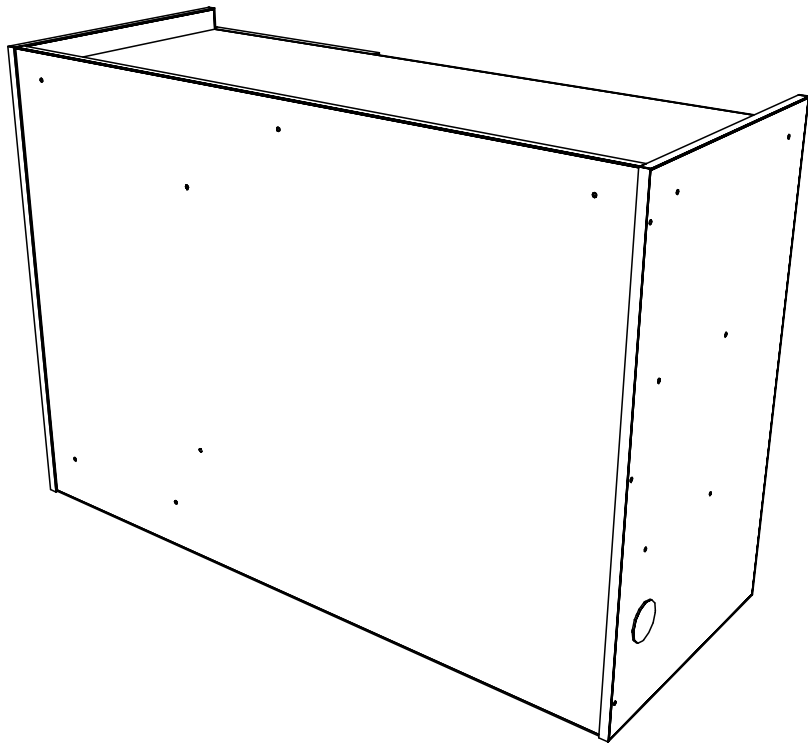
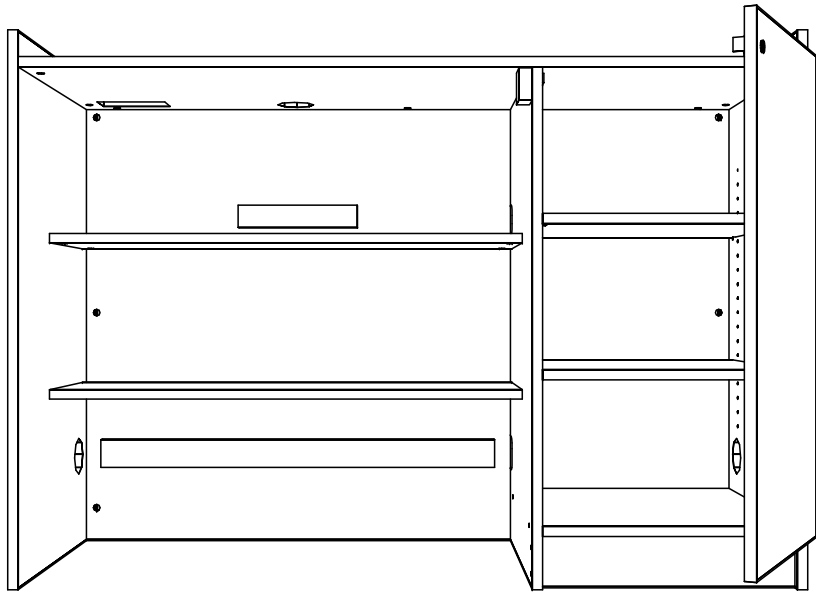
SECTION "B-B"



REVISIONS				TOLERANCES	PART NAME MLT-602442-xxL	
SYM	DATE	BY	DESCRIPTION	UNLESS SPECIFIED OTHERWISE	DATE:	DRWN BY:
				DECIMALS	SCALE:	CAD NO.
				.X : _____	CHK'D BY:	CNC NO.
				.XX : _____	NOTICE: This drawing is the property of CBT Supply, Inc. dba SMARTdesks and contains proprietary information that is not to be used except in the consideration of bids or proposals tendered herewith. Reproductions or copying of the drawing, in whole or in part, is prohibited.	
				.XXX : _____	PRODUCT GROUP	
				ANGLE : _____	DRAWING NO.	
					REV.	



MATERIAL:  
 FINISH:  
 EDGE:



REVISIONS				TOLERANCES	PART NAME MLT-602442-xxL	
SYM	DATE	BY	DESCRIPTION	UNLESS SPECIFIED OTHERWISE	DATE:	DRWN BY:
				DECIMALS	SCALE:	CAD NO.
				.X : _____	CHK'D BY:	CNC NO.
				.XX : _____	NOTICE: This drawing is the property of CBT Supply, Inc. dba SMARTdesks and contains proprietary information that is not to be used except in the consideration of bids or proposals tendered herewith. Reproductions or copying of the drawing, in whole or in part, is prohibited.	
				.XXX : _____	PRODUCT GROUP	
				ANGLE : _____	DRAWING NO.	
					REV.	

