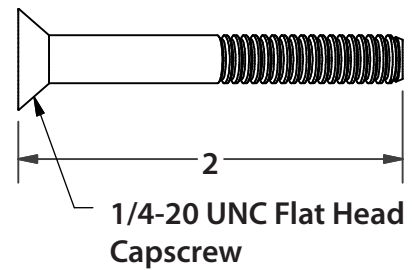
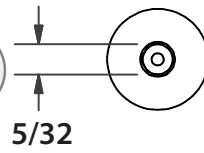


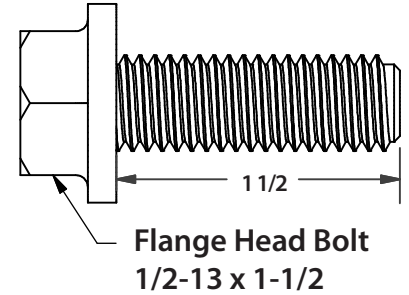
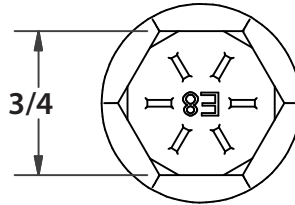
Quint[®] SMARTdesks[®]

www.smartdesks.com
800-770-7042



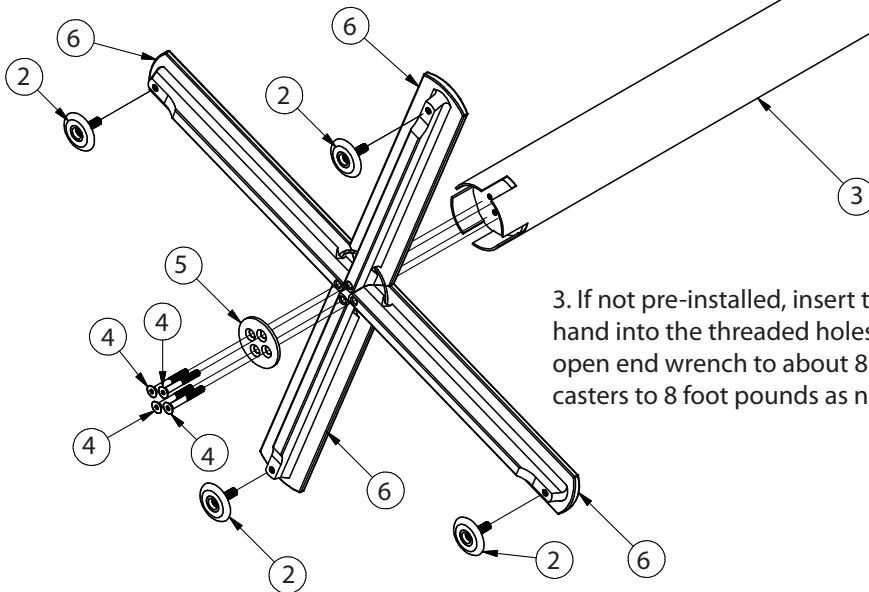
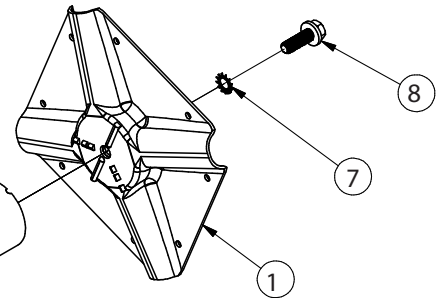
Parts List

Seq	Qty	Description
1	1	Mounting Plate
2	4	Leveler or Caster
3	1	Column
4	4	1/4-20 X 2" Long Flat Head Capscrew
5	1	Bottom Strap
6	4	Mainbar
7	1	Washer, lock, 1/2" Star
8	1	1/2 X 1 1/2 FLANGE HEAD BOLT



1. Insert 1/2-13 Flange Bolt (#8) thru Star Washer (#7) and thru center hole of Mounting Plate (#1). Align notched end of Column (#3) with tabs on Mounting Plate(#1) and thread Bolt(#8) into Column(#3). With 3/4" Socket, tighten Bolt (#8) to 75 foot pounds of force.

2. Slide each Mainbar(#6) over notches in the bottom of the Column(#3) as shown. Place Bottom Strap(#5) on bottom of Mainbar assembly. Push down on strap while aligning holes with hole in each Mainbar(#6). Insert 1/4-20 Flat Head Capscrews (#4) thru Bottom Strap(#5) and thru each Mainbar(#6)



and thread into Column (#3) by hand. Do not use cordless drill/driver. With 5/32" Allen Wrench, Hand tighten Bolts (#4) until snug making sure all Mainbars(#6) are nested tight against strap in Column(#3). Then hand tighten Bolts (#4) to between 15 and 20 foot pounds of force.

3. If not pre-installed, insert threaded end of Levelers or Casters (#2) by hand into the threaded holes on each Mainbar (#6). Tighten casters with open end wrench to about 8 foot pounds of force. Periodically re-tighten casters to 8 foot pounds as needed.

4. Place Quint top on padded surface and install base using eight wood screws into pre-drilled pilot holes.

