

DT SERIES SMARTdesks S P E C I F I C A T I O N S

SKU: PL-SDT-DDT-IDT

The DT Series Computer Desk is available in single and double models. The models with keyboard tray are offered at 30" desktop height, and models without keyboard tray are offered at keyboard height (28 inches). Single desks with double CPU/storage bays are offered for instructors.

Options include:

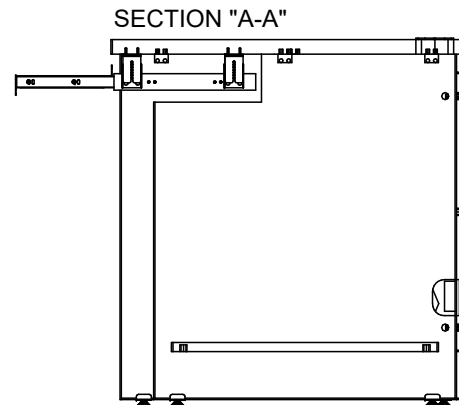
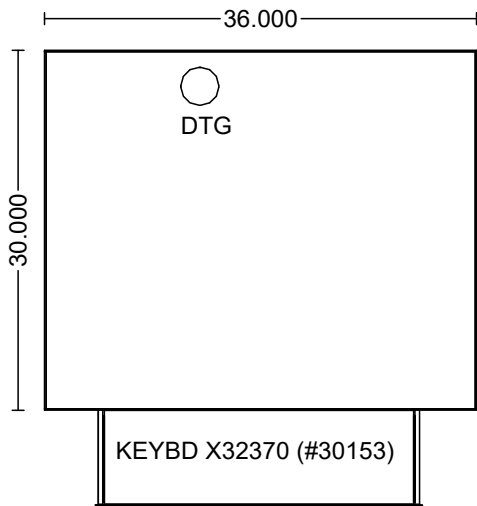
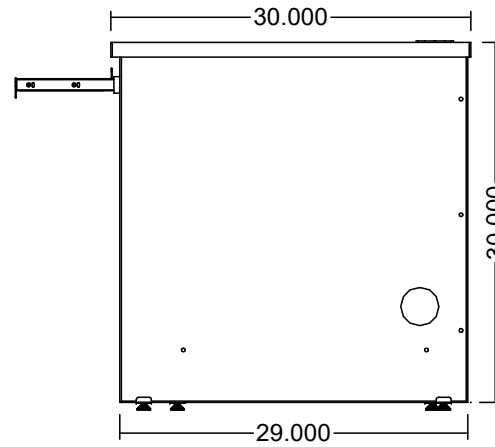
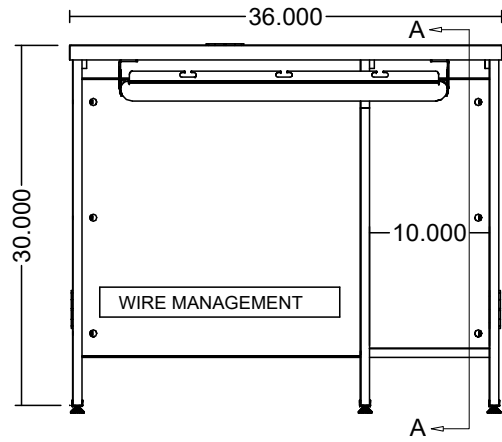
- Worksurface power/data port
- Rear access panel to cpu bay
- Dual-wheel locking casters
- Modification to width, depth and height
- Task lighting options with worksurface attachment grommet
- Locking security CPU cabinet doors
- Surge-suppressed power strip
- Articulated keyboard arm
- Select HPL top color, PVC edge color and melamine base cabinet color to suit



800 770 7042 | www.smartdesks.com



MATERIAL:
 FINISH:
 EDGE:



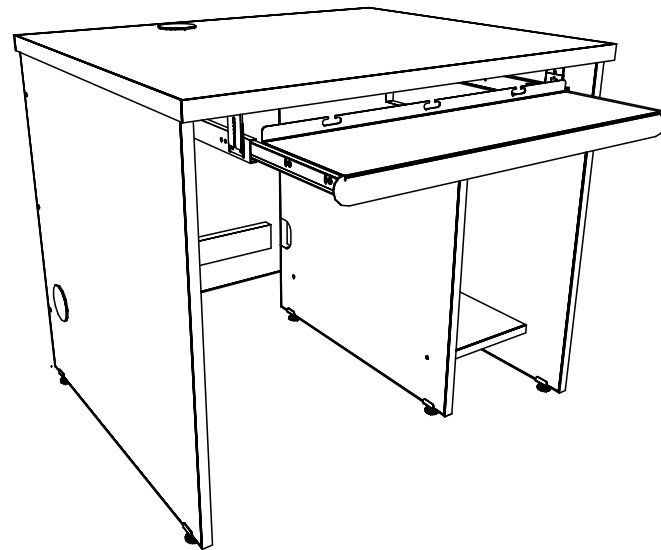
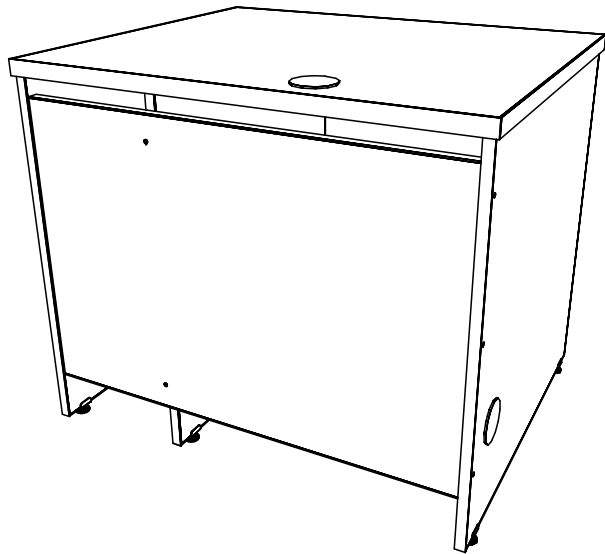
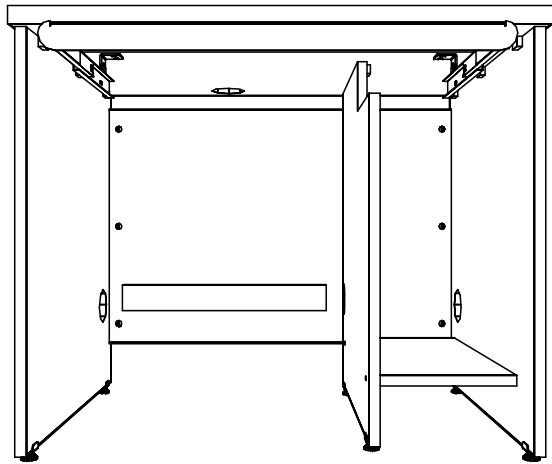
REVISIONS				TOLERANCES	PART NAME	
SYM	DATE	BY	DESCRIPTION	UNLESS SPECIFIED OTHERWISE	SDT-363030-TK9	
				DECIMALS	DATE:	DRWN BY:
				.X : ___	SCALE:	CAD NO.:
				.XX : ___	CHK'D BY:	CNC NO.:
				.XXX : ___	NOTICE: This drawing is the property of CRT Supply, Inc. dba SMARTdesks and contains proprietary information that is not to be used except in the consideration of bids or proposals tendered herewith. Reproductions or copying of the drawing, in whole or in part, is prohibited.	
				ANGLE : ___	PRODUCT GROUP	DRAWING NO.
					800.770.7042	PO# 10592
					www.Smartdesks.com	REV.




MATERIAL:

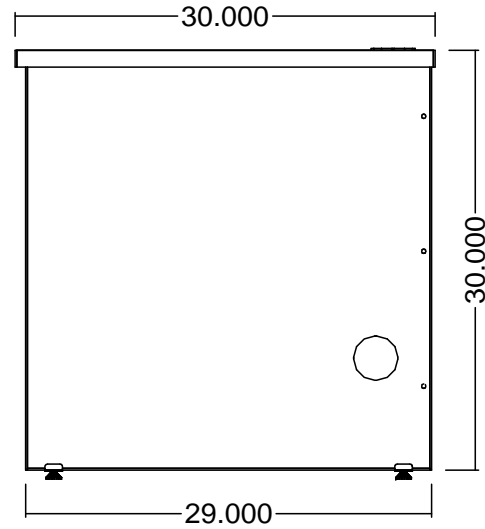
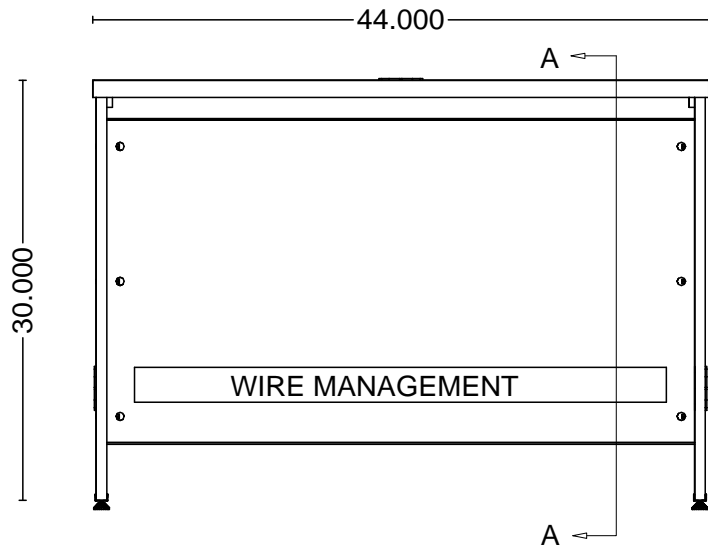
FINISH:

EDGE:

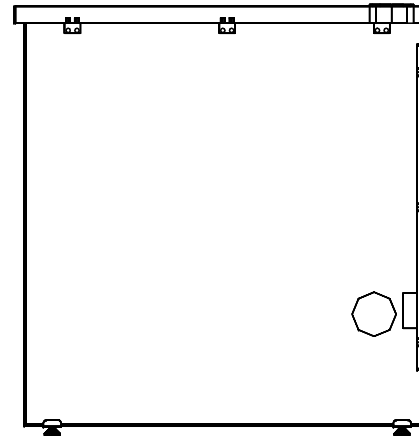


REVISIONS				TOLERANCES UNLESS SPECIFIED OTHERWISE DECIMALS	PART NAME	SDT-363030-TK9		 <small>where design meets technology™</small> 800.770.7042 www.Smartdesks.com	
SYM	DATE	BY	DESCRIPTION			DATE:	DRWN BY:		CAD NO.
				.X : _____	SCALE:	CHK'D BY:	CNC NO.	NOTICE: This drawing is the property of GBT Supply, Inc. dba SMARTdesks and contains proprietary information that is not to be used except in the consideration of bids or proposals tendered herewith. Reproductions or copying of the drawing, in whole or in part, is prohibited.	
				.XX : _____					DRAWING NO. PO# 10592
				.XXX : _____					
				ANGLE : _____					

MATERIAL:
 FINISH:
 EDGE:



SECTION "A-A"

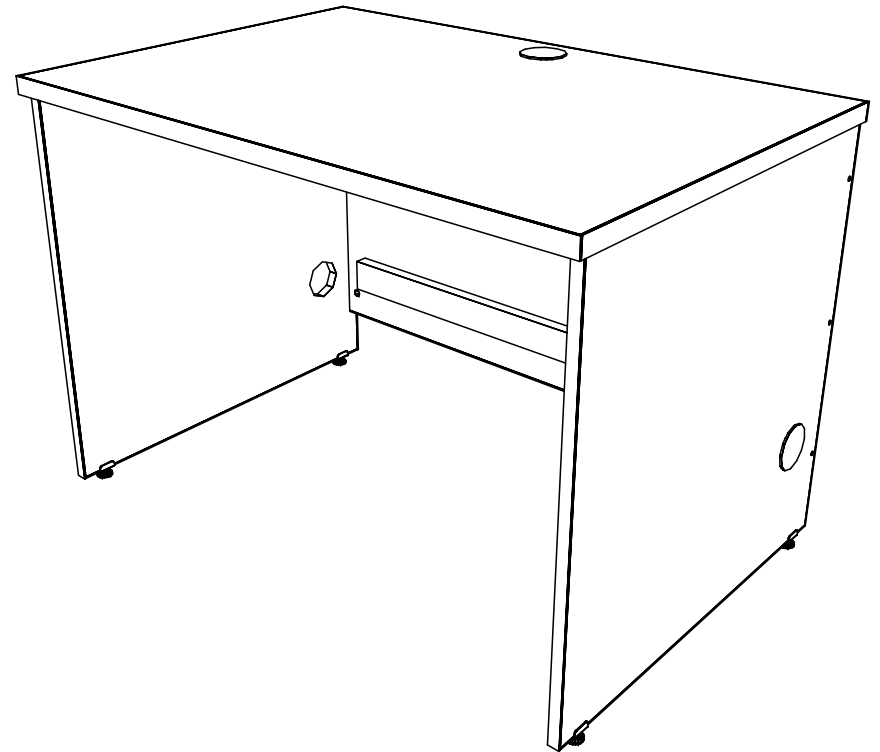
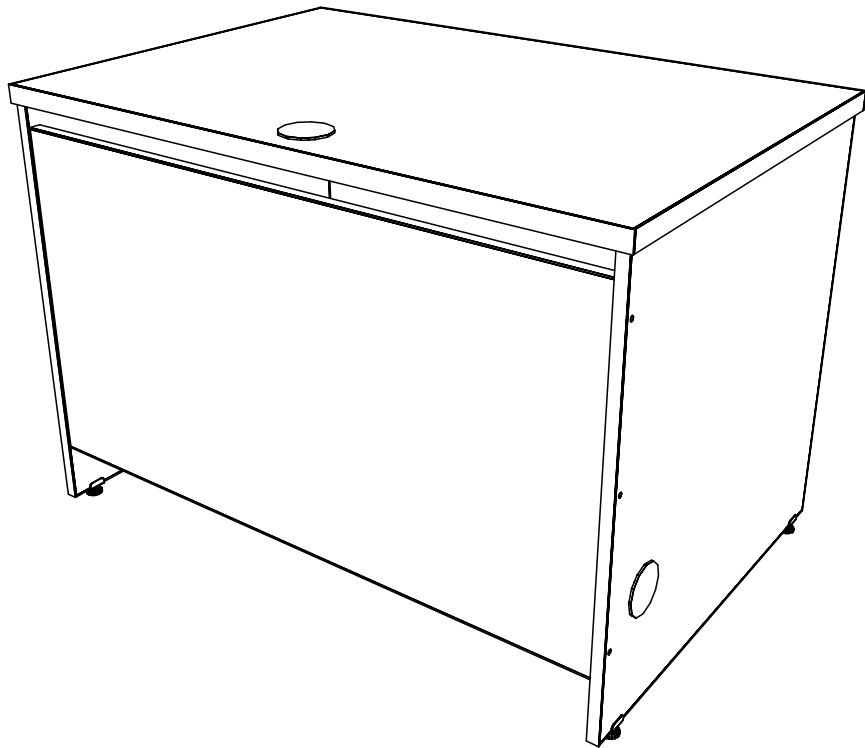
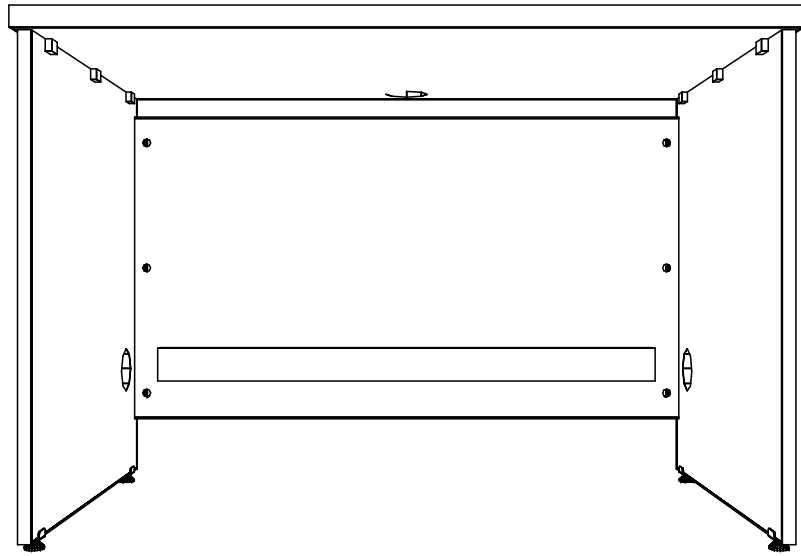


REVISIONS				TOLERANCES	PART NAME	SDT-443030-XXX	
SYM	DATE	BY	DESCRIPTION	UNLESS SPECIFIED OTHERWISE	DATE:	DRWN BY:	SCALE:
				DECIMALS	CHK'D BY: <td>CAD NO. <td>CNC NO. </td></td>	CAD NO. <td>CNC NO. </td>	CNC NO.
				.X : ___	NOTICE: This drawing is the property of GBT Supply, Inc. dba SMARTdesks and containing proprietary information that is not to be used except in the consideration of bids or proposals tendered herewith. Reproductions or copying of the drawing, in whole or in part, is prohibited.		
				.XX : ___	PRODUCT GROUP		
				.XXX : ___	DRAWING NO. PO# 7174		
				ANGLE : ___	REV.		



800.770.7042
 www.Smartdesks.com

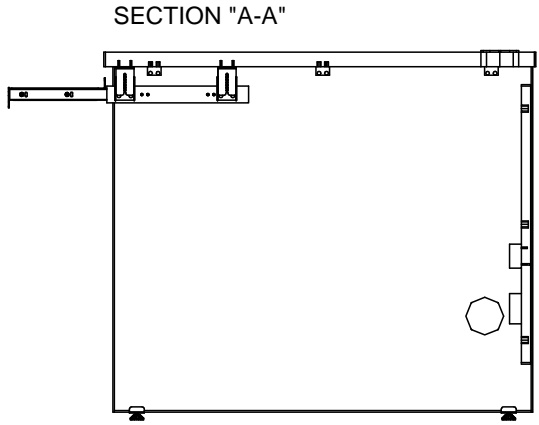
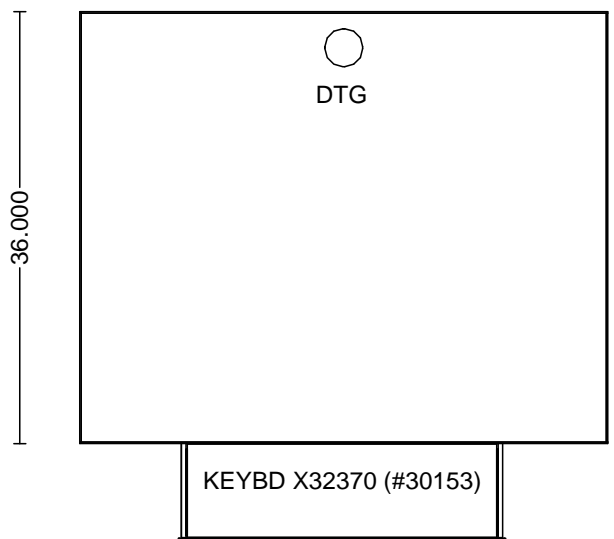
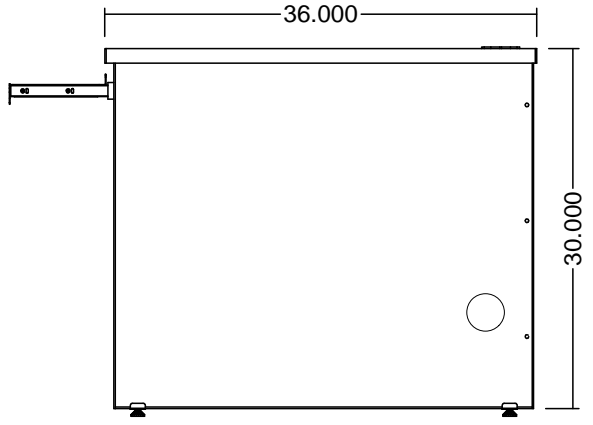
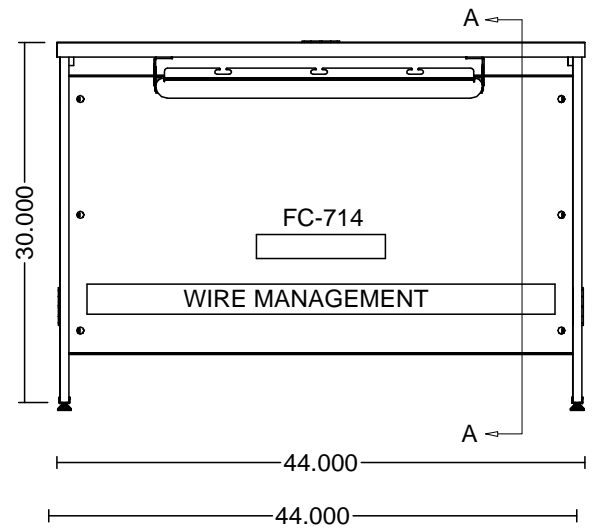
MATERIAL:
 FINISH:
 EDGE:



REVISIONS				TOLERANCES	PART NAME	
SYM	DATE	BY	DESCRIPTION	UNLESS SPECIFIED OTHERWISE	SDT-443030-XXX	
				DECIMALS	DATE:	DRWN BY:
				.X : _____	SCALE:	CAD NO.:
				.XX : _____	CHK'D BY:	CNC NO.:
				.XXX : _____	NOTICE: This drawing is the property of GBT Supply, Inc. dba SMARTdesks and contains proprietary information that is not to be used except in the consideration of bids or proposals tendered herewith. Reproductions or copying of the drawing, in whole or in part, is prohibited.	
				ANGLE : _____	PRODUCT GROUP	
					DRAWING NO. PO# 7174	
					REV.	



MATERIAL:
 FINISH:
 EDGE:



REVISIONS			
SYM	DATE	BY	DESCRIPTION

TOLERANCES UNLESS SPECIFIED OTHERWISE
DECIMALS
.X : —
.XX : —
.XXX : —
ANGLE : —

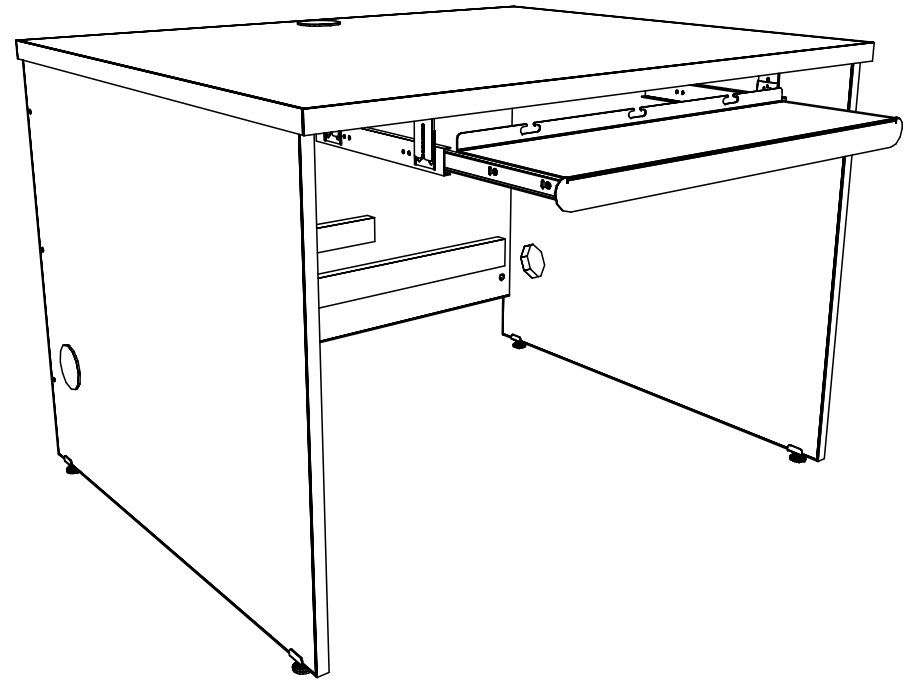
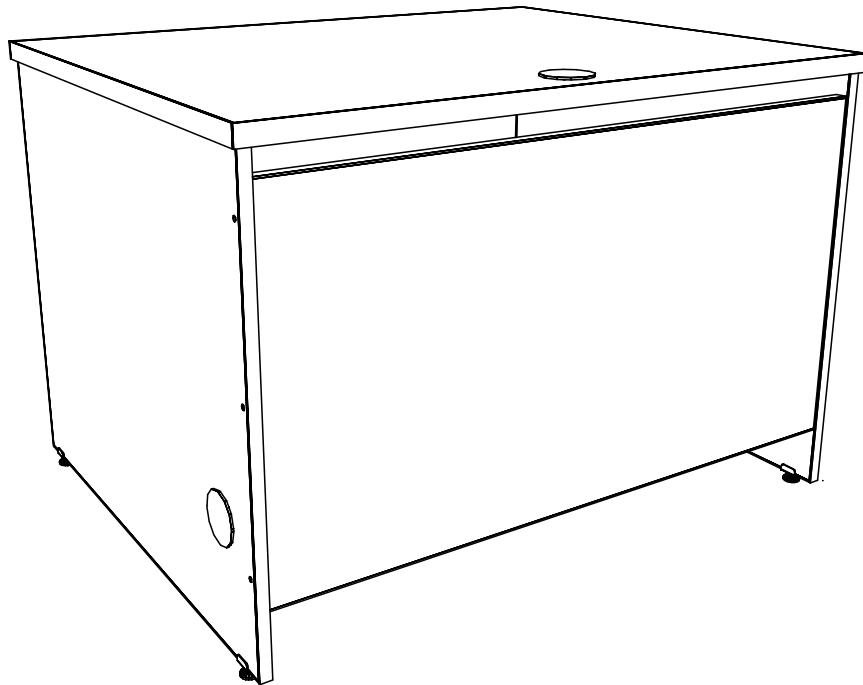
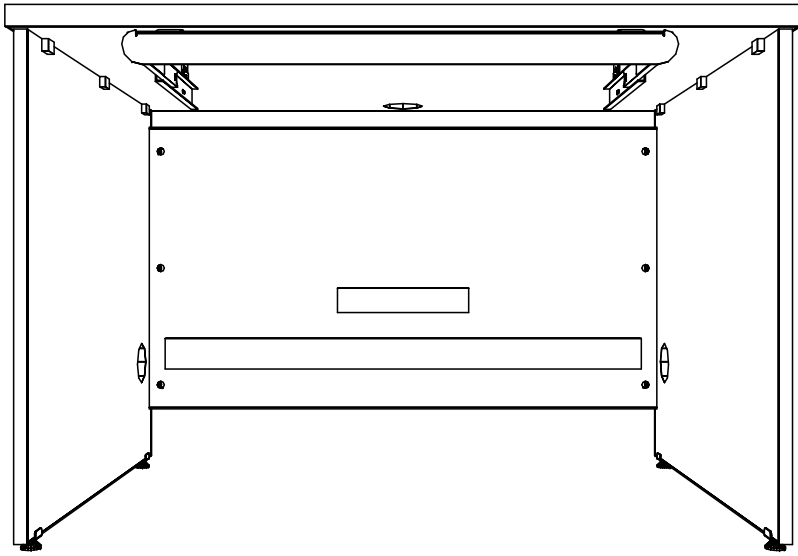
PART NAME	SDT-443630-XKX	
DATE:	DRWN BY:	
SCALE:	CAD NO.:	
CHK'D BY:	CNC NO.:	
NOTICE: This drawing is the property of GBT Supply, Inc. dba SMARTdesks and contains proprietary information that is not to be used except in the consideration of bids or proposals tendered herewith. Reproductions or copying of the drawing, in whole or in part, is prohibited.		


 where design meets technology™
 800.770.7042
 www.Smartdesks.com
 PRODUCT GROUP
 DRAWING NO. PO# 9989
 REV.

MATERIAL:

FINISH:

EDGE:



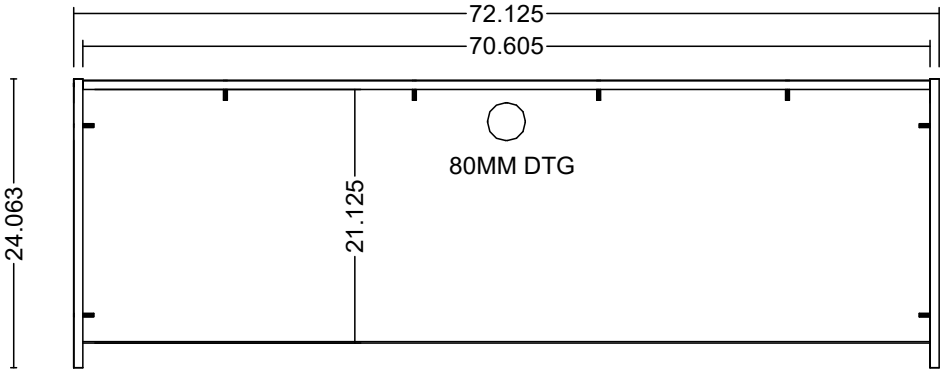
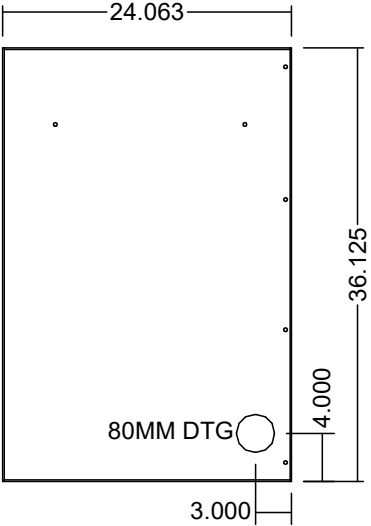
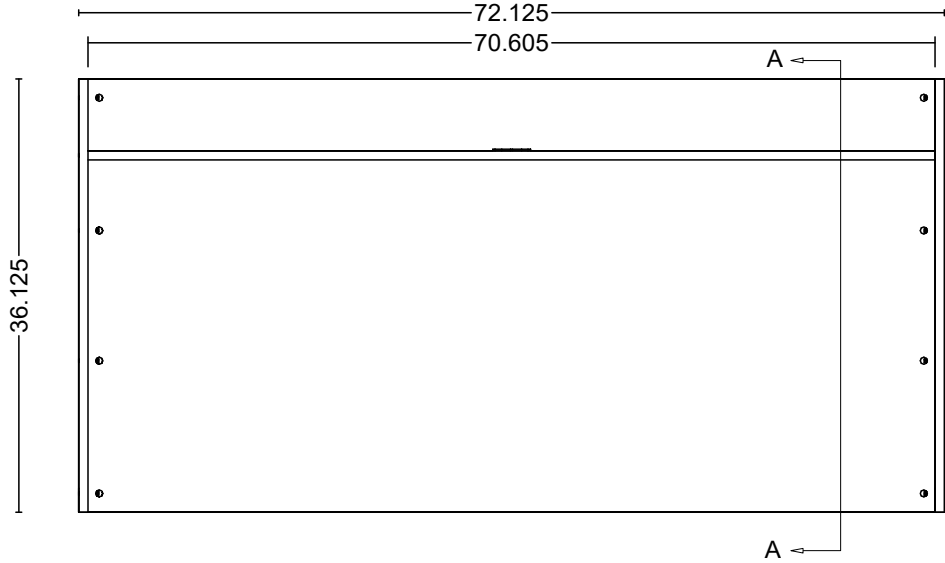
REVISIONS			
SYM	DATE	BY	DESCRIPTION

TOLERANCES	
UNLESS SPECIFIED OTHERWISE	
DECIMALS	
.X	: —
.XX	: —
.XXX	: —
ANGLE	: —

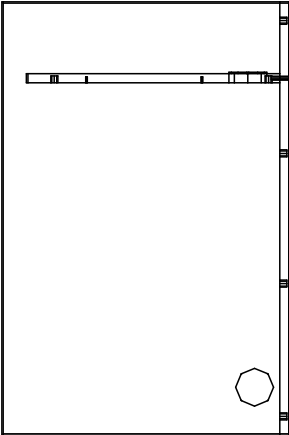
PART NAME		SDT-443630-XXK	
DATE:	DRWN BY:	SCALE:	CAD NO.:
CHK'D BY:	CNC NO.:	NOTICE: This drawing is the property of CBT Supply, Inc. dba SMARTdesks and contains proprietary information that is not to be used except in the consideration of bids or proposals tendered herewith. Reproductions or copying of the drawing, in whole or in part, is prohibited.	

 <small>where design meets technology™</small>	
800.770.7042 www.Smartdesks.com	
PRODUCT GROUP DRAWING NO. PO# 9989	REV.

MATERIAL:
 FINISH:
 EDGE:



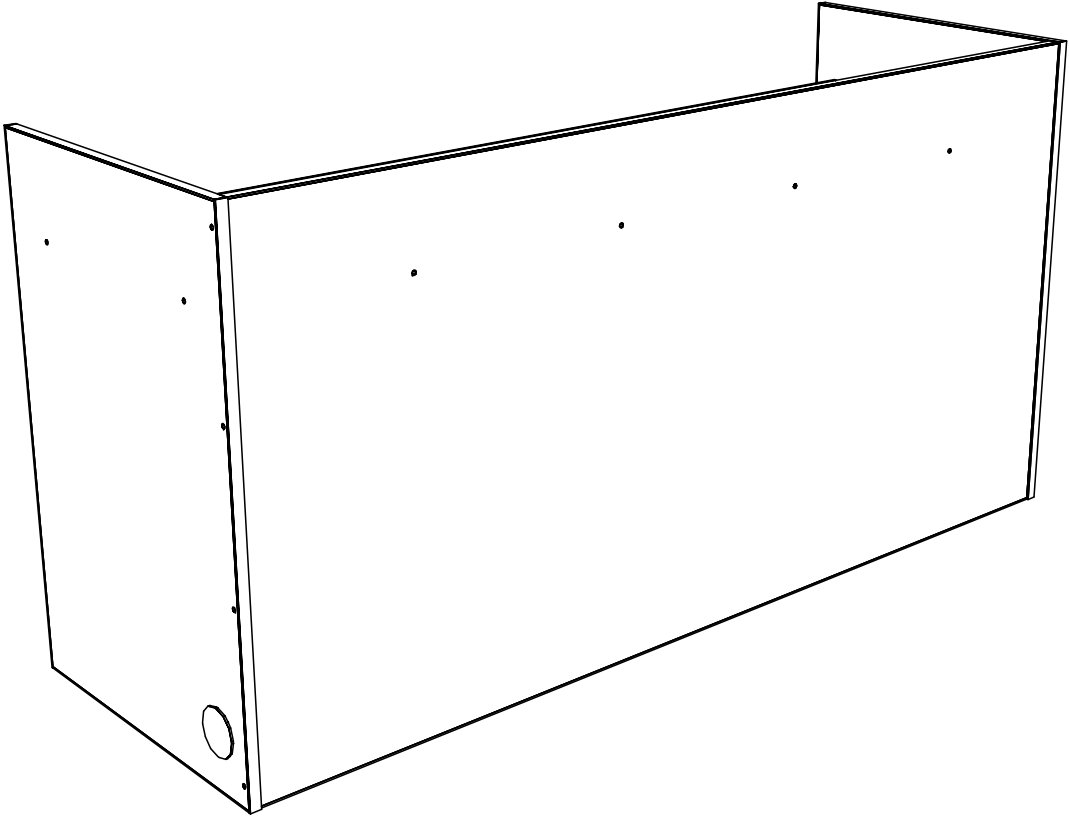
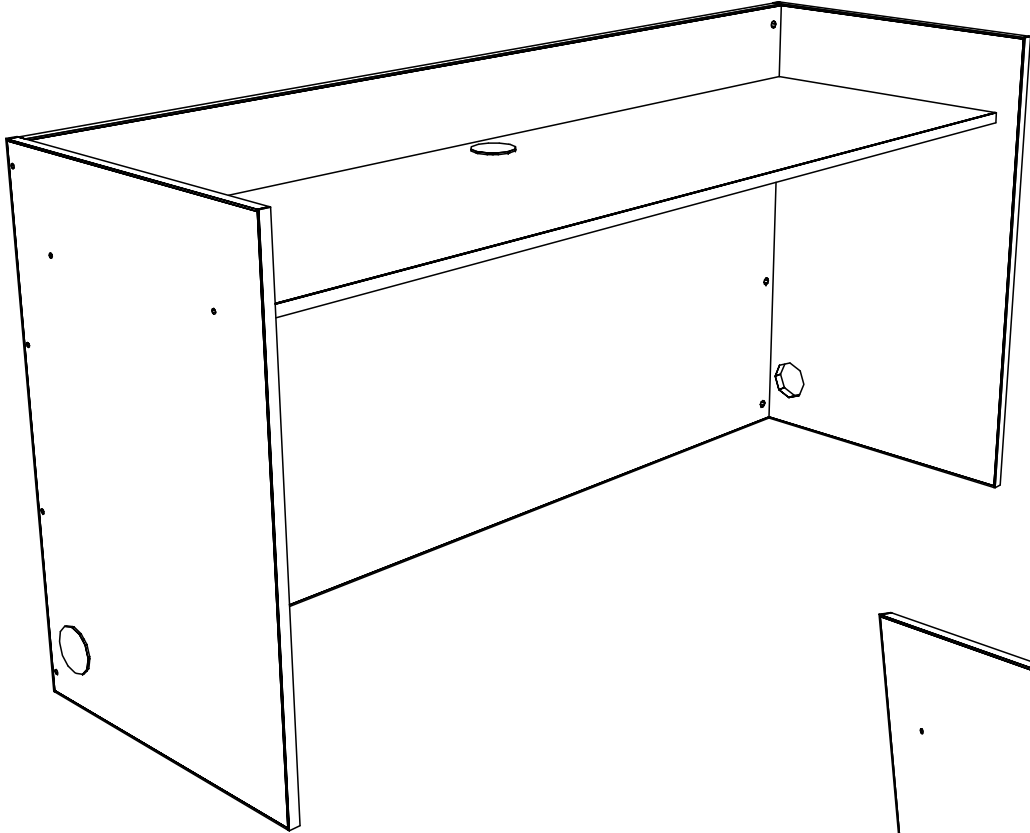
SECTION "A-A"



REVISIONS				TOLERANCES	PART NAME	
SYM	DATE	BY	DESCRIPTION	UNLESS SPECIFIED OTHERWISE	SDT-722436-XXL	
				DECIMALS	DATE:	DRWN BY:
				.X : _____	SCALE:	CAD NO.:
				.XX : _____	CHK'D BY:	CNC NO.:
				.XXX : _____	NOTICE: This drawing is the property of CBT Supply, Inc. dba SMARTdesks and contains proprietary information that is not to be used except in the consideration of bids or proposals tendered herewith. Reproductions or copying of the drawing, in whole or in part, is prohibited.	
				ANGLE : _____	PRODUCT GROUP	
					DRAWING NO. PO# 10635	
					REV.	



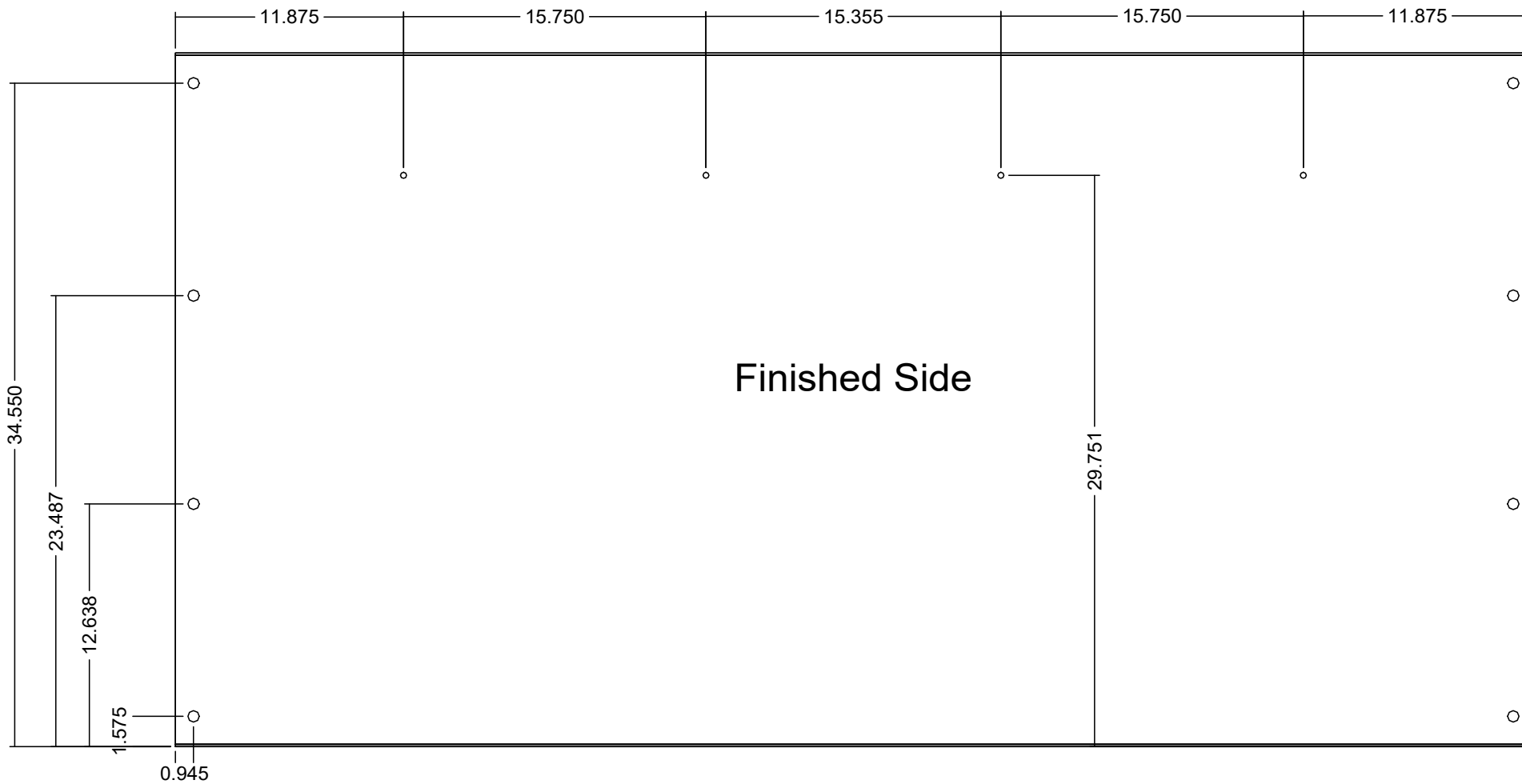
MATERIAL:
 FINISH:
 EDGE:



REVISIONS				TOLERANCES <small>UNLESS SPECIFIED OTHERWISE</small>	PART NAME	
SYM	DATE	BY	DESCRIPTION		SDT-722436-XXL	DATE:
				DECIMALS	DRWN BY:	
				.X : _____	SCALE:	CAD NO.
				.XX : _____	CHK'D BY:	CNC NO.
				.XXX : _____	NOTICE: This drawing is the property of GBT Supply, Inc. dba SMARTdesks and contains proprietary information that is not to be used except in the consideration of bids or proposals tendered herewith. Reproductions or copying of the drawing, in whole or in part, is prohibited.	
				ANGLE : _____	PRODUCT GROUP	
					DRAWING NO. PO# 10635	
					REV.	

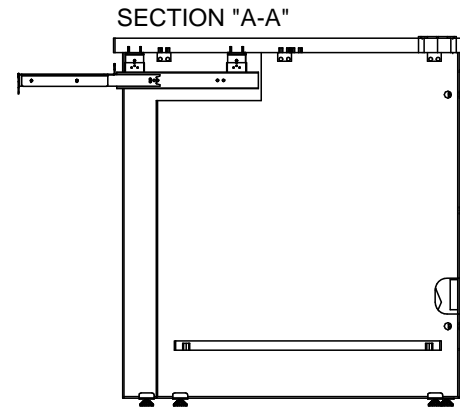
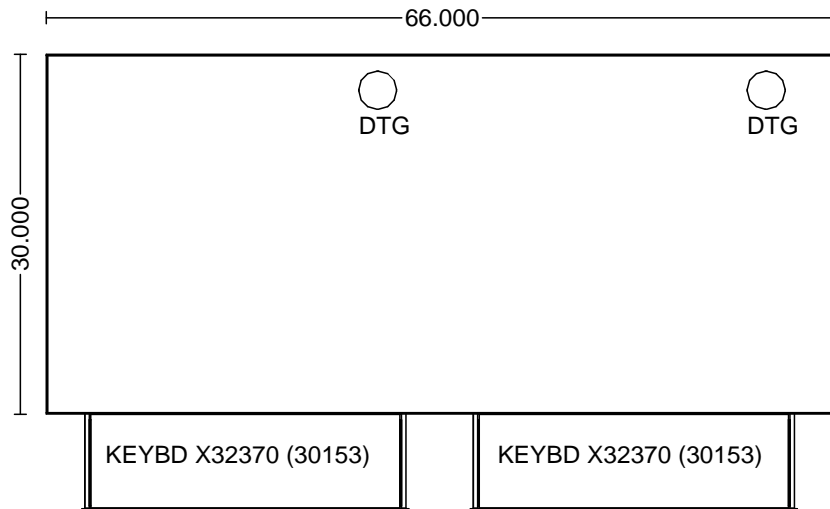
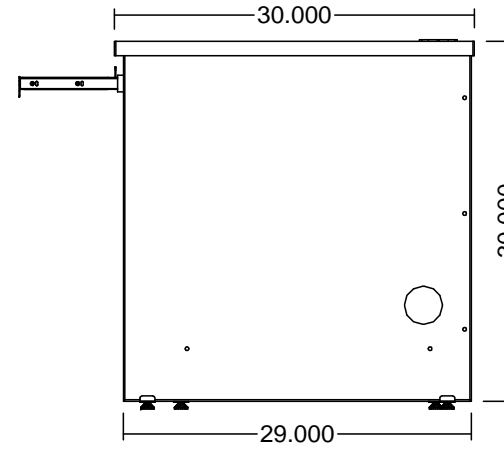
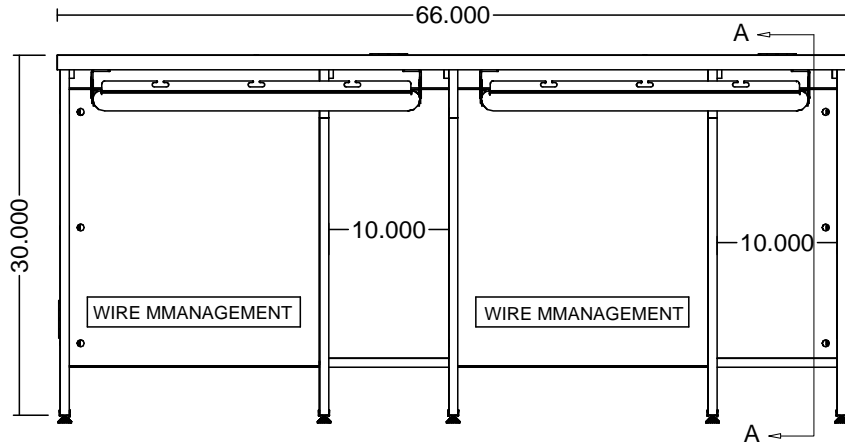


Finished Side



Title:	Size:	Drawing Number: DWG #	Revision:
Material:	Date: 04/06/18	Sheet	1 of 1

MATERIAL:
 FINISH:
 EDGE:



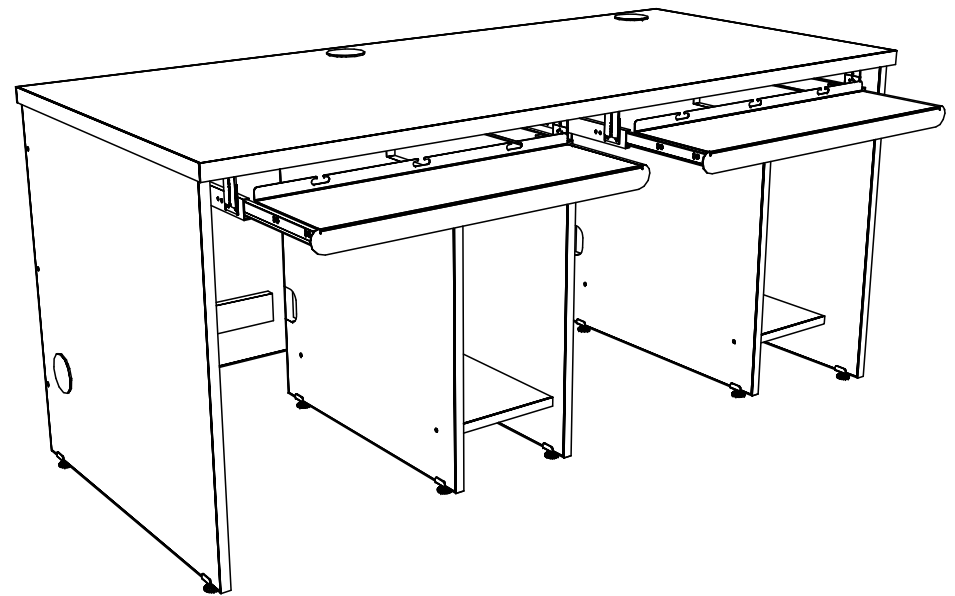
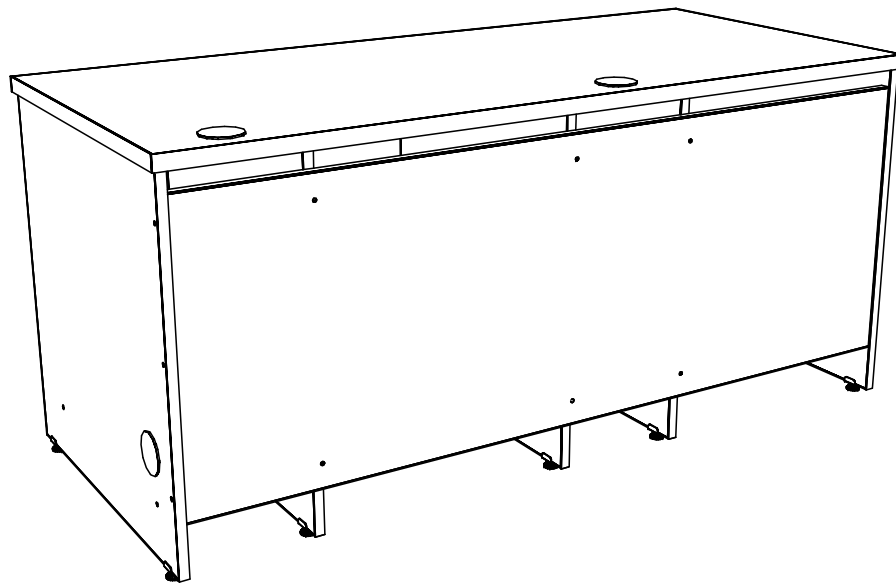
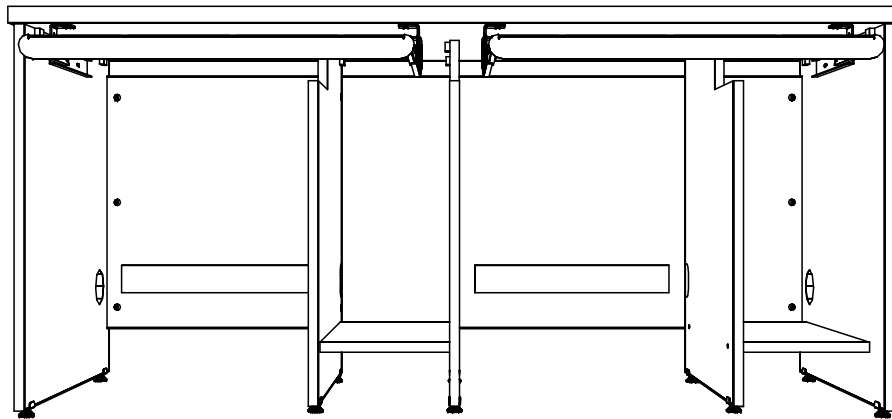
REVISIONS				TOLERANCES	PART NAME	
SYM	DATE	BY	DESCRIPTION	UNLESS SPECIFIED OTHERWISE	DDT-663030-TKF	
				DECIMALS	DATE:	DRWN BY:
				.X : _____	SCALE:	CAD NO.:
				.XX : _____	CHK'D BY:	CNC NO.:
				.XXX : _____	NOTICE: This drawing is the property of CRT Supply, Inc. dba SMARTdesks and containing proprietary information that is not to be used except in the consideration of bids or proposals tendered herewith. Reproductions or copying of the drawing, in whole or in part, is prohibited.	
				ANGLE : _____	PRODUCT GROUP	DRAWING NO.
					800.770.7042	PO# 9765
					www.Smartdesks.com	REV.




800.770.7042
 www.Smartdesks.com

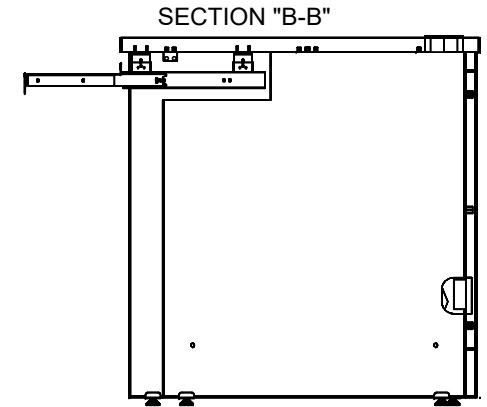
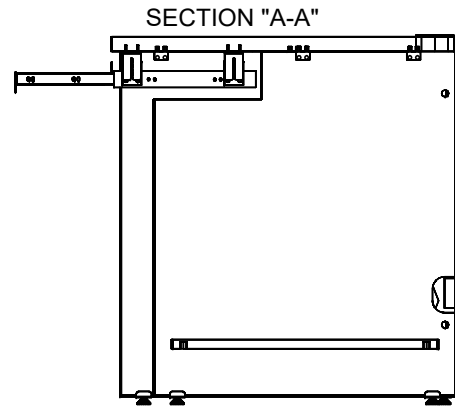
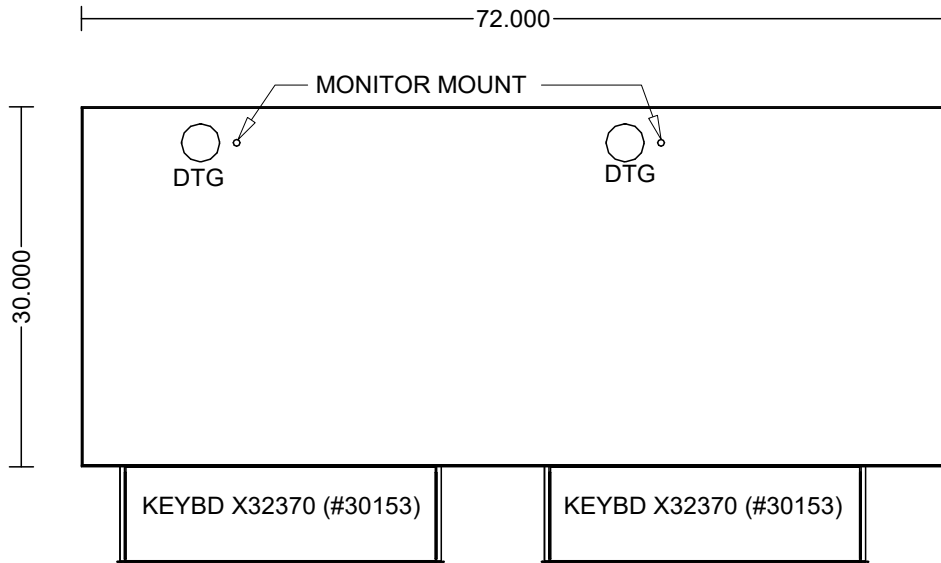
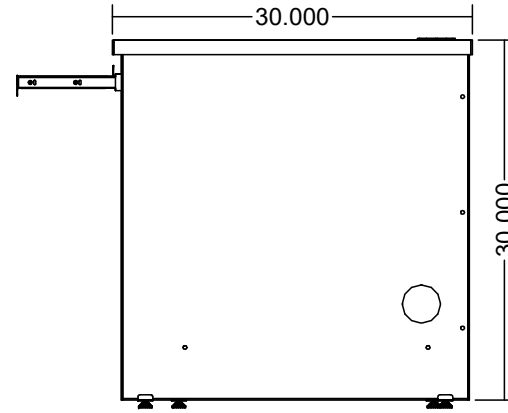
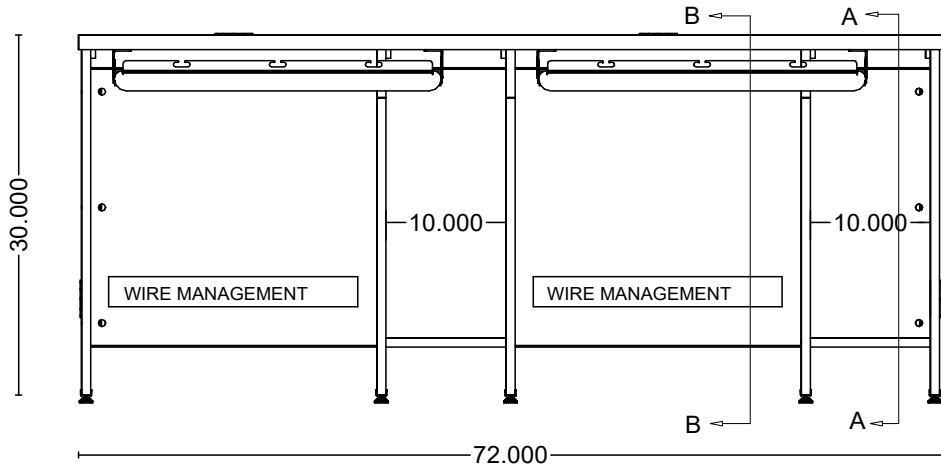
DRAWING NO. PO# 9765

MATERIAL:
 FINISH:
 EDGE:



REVISIONS				TOLERANCES		PART NAME		 <small>where design meets technology™</small> 800.770.7042 www.Smartdesks.com
SYM	DATE	BY	DESCRIPTION	UNLESS SPECIFIED OTHERWISE	DATE:	DRWN BY:	PRODUCT GROUP	
				DECIMALS	SCALE:	CAD NO.		
				.X : —	CHK'D BY:	CNC NO.		
				.XX : —	<small>NOTICE: This drawing is the property of CBT Supply, Inc. dba SMARTdesks and contains proprietary information that is not to be used except in the consideration of bids or proposals tendered herewith. Reproductions or copying of the drawing, in whole or in part, is prohibited.</small>			
				.XXX : —	DRAWING NO.			
				ANGLE : —	PO# 9765			
					REV.			

MATERIAL:
 FINISH:
 EDGE:



REVISIONS				TOLERANCES	PART NAME	
SYM	DATE	BY	DESCRIPTION	UNLESS SPECIFIED OTHERWISE	DDT-723030-TK9	
				DECIMALS	DATE:	DRWN BY:
				.X : ____	SCALE:	CAD NO.:
				.XX : ____	CHK'D BY:	CNC NO.:
				.XXX : ____	NOTICE: This drawing is the property of GBT Supply, Inc. dba SMARTdesks and contains proprietary information that is not to be used except in the consideration of bids or proposals tendered herewith. Reproductions or copying of the drawing, in whole or in part, is prohibited.	
				ANGLE : ____	PRODUCT GROUP	
					800.770.7042 www.Smartdesks.com	
					DRAWING NO. PO# 10146	
					REV.	



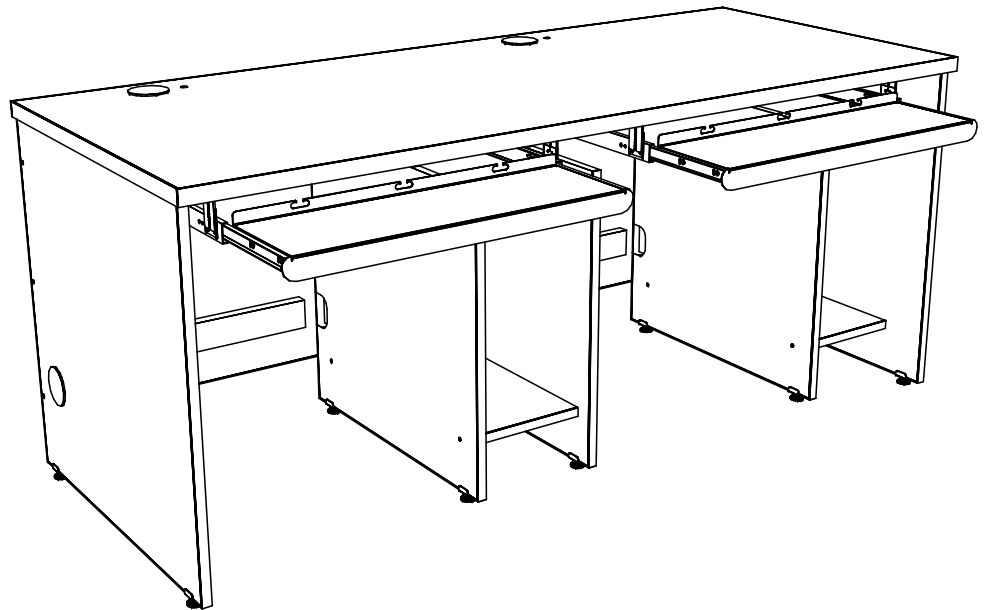
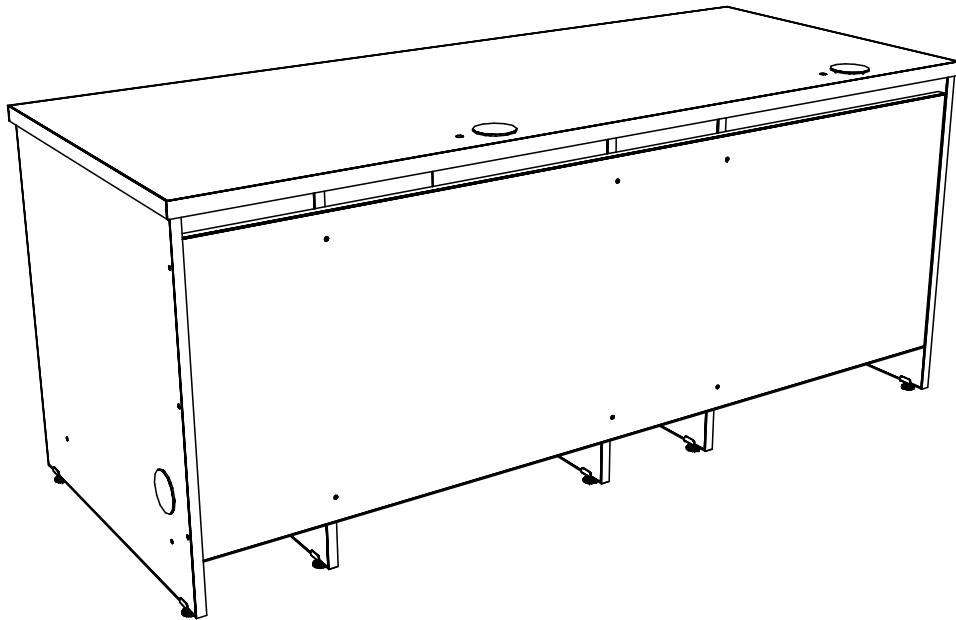
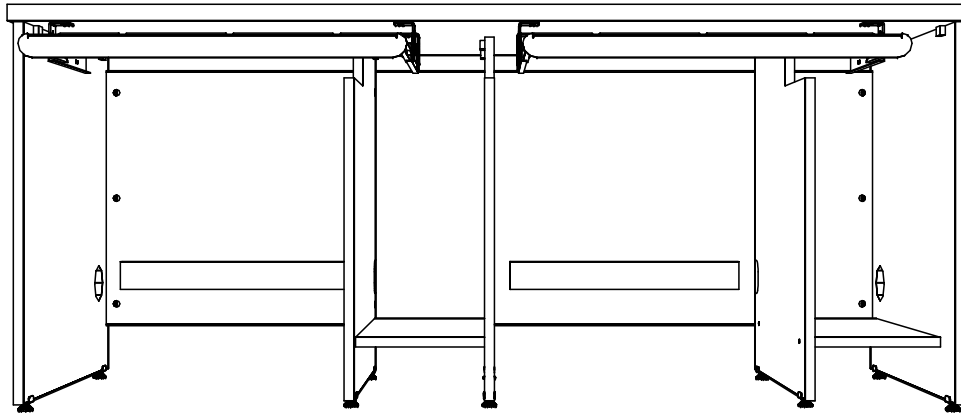
where design meets technology™
 800.770.7042
 www.Smartdesks.com

PRODUCT GROUP
 DRAWING NO. PO# 10146
 REV.

MATERIAL:

FINISH:

EDGE:



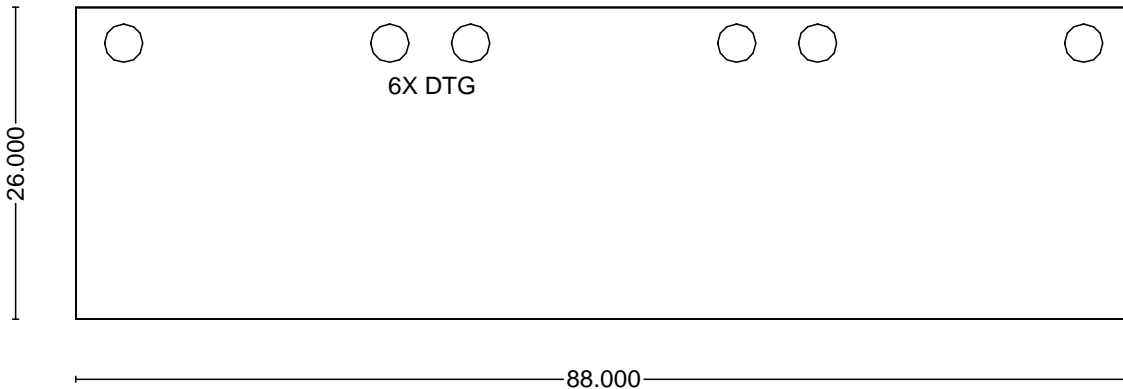
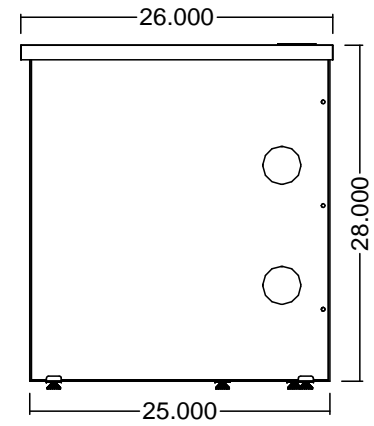
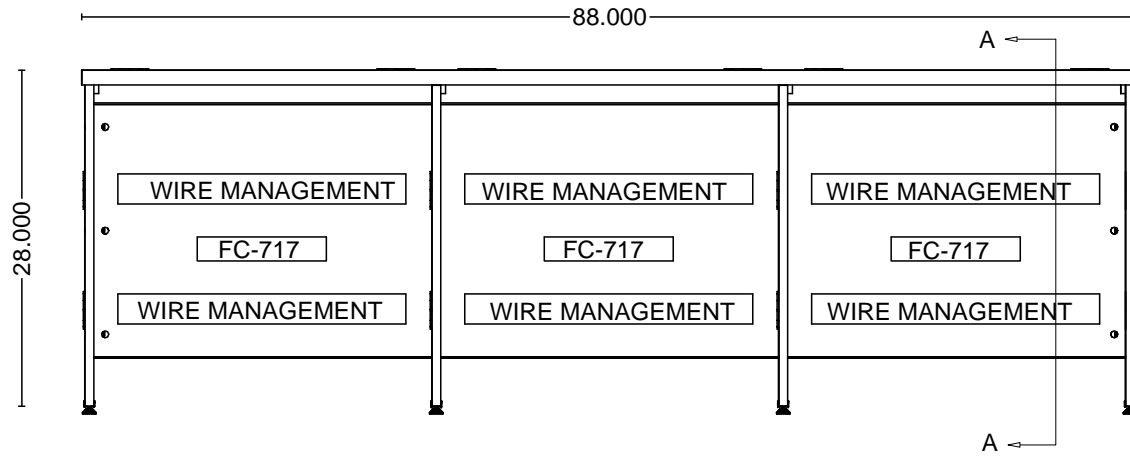
REVISIONS				TOLERANCES	PART NAME	DRAWN BY:	
SYM	DATE	BY	DESCRIPTION	UNLESS SPECIFIED OTHERWISE DECIMALS	DDT-723030-TK9	SCALE:	CAD NO.
				.X : ___	DATE:	CHK'D BY:	CNC NO.
				.XX : ___	NOTICE: This drawing is the property of GBT Supply, Inc. dba SMARTdesks and contains proprietary information that is not to be used except in the consideration of bids or proposals tendered herewith. Reproductions or copying of the drawing, in whole or in part, is prohibited.		
				.XXX : ___	PRODUCT GROUP		
				ANGLE : ___	DRAWING NO. PO# 10146		
					REV.		



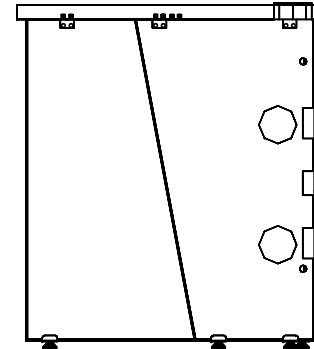
800.770.7042
www.Smartdesks.com

DRAWING NO. PO# 10146

MATERIAL:
 FINISH:
 EDGE:



SECTION "A-A"



REVISIONS				TOLERANCES UNLESS SPECIFIED OTHERWISE DECIMALS	PART NAME TDT-882628-XXX	DRAWN BY:	
SYM	DATE	BY	DESCRIPTION			DATE:	CAD NO.

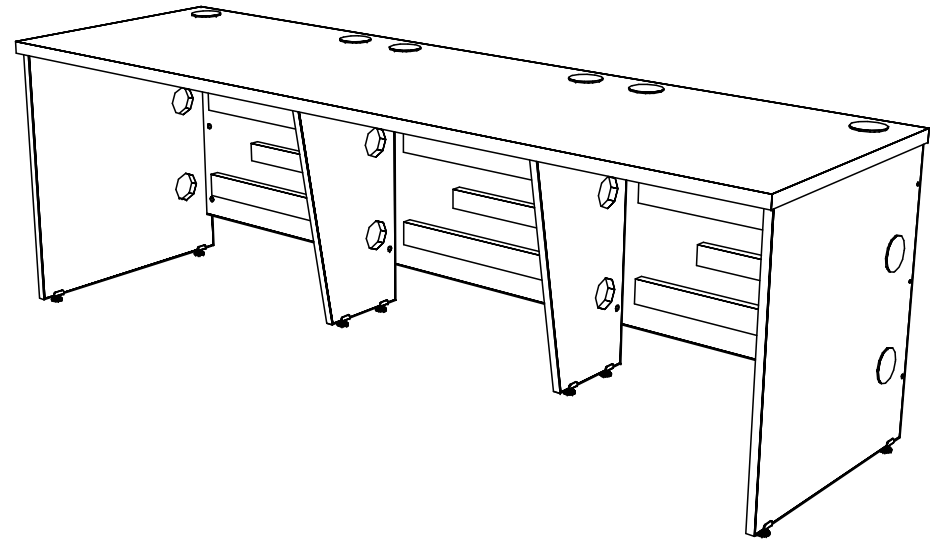
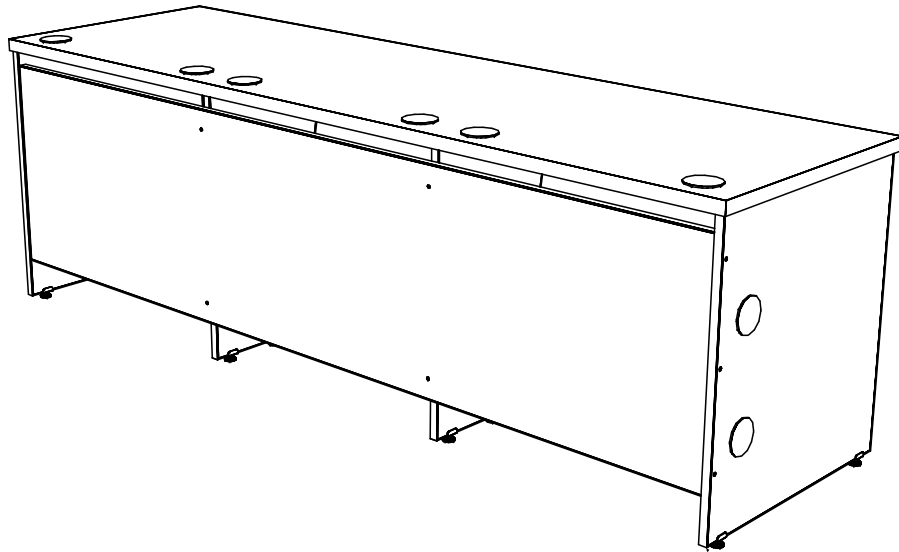
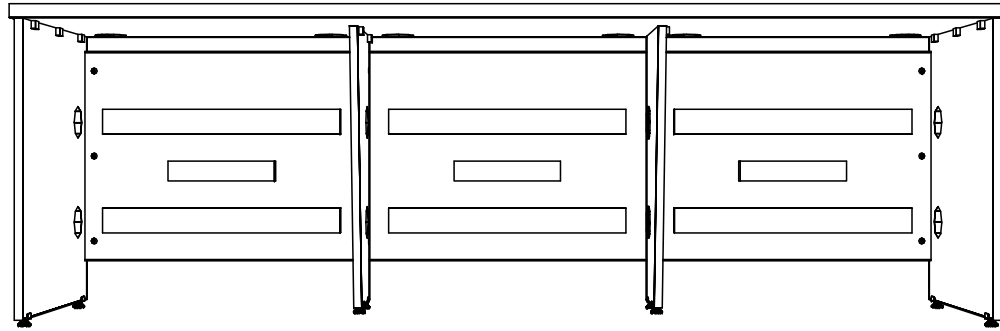
.X : .XX : .XXX : ANGLE :	DATE: SCALE: CHK'D BY:	DRWN BY: CAD NO.: CNC NO.:	NOTICE: This drawing is the property of CBT Supply, Inc. dba SMARTdesks and contains proprietary information that is not to be used except in the consideration of bids or proposals tendered herewith. Reproductions or copying of the drawing, in whole or in part, is prohibited.	PRODUCT GROUP 800.770.7042 www.Smartdesks.com	DRAWING NO. PO# 6603	REV.
------------------------------------	------------------------------	----------------------------------	--	---	-------------------------	------



MATERIAL:

FINISH:

EDGE:



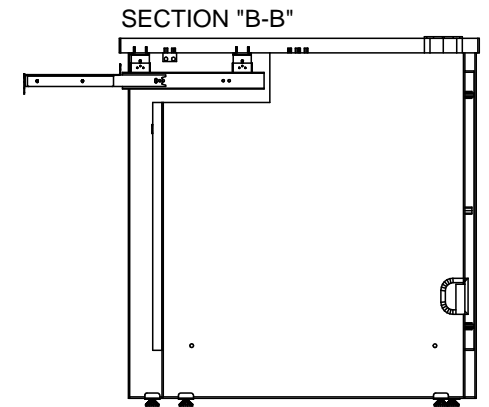
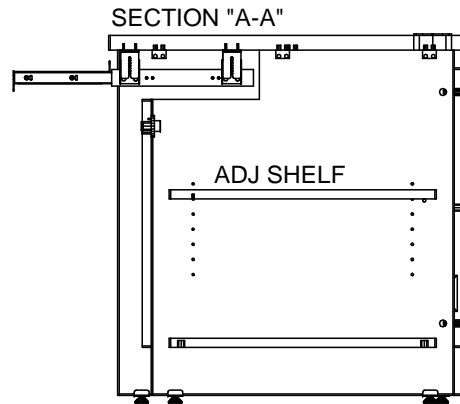
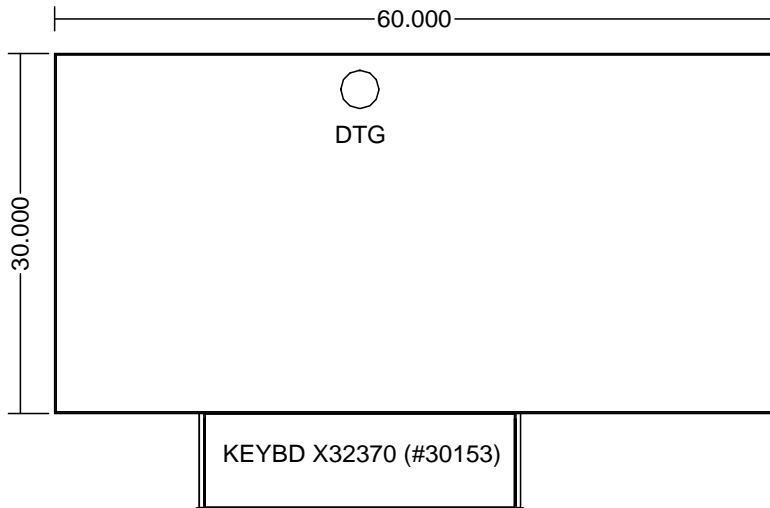
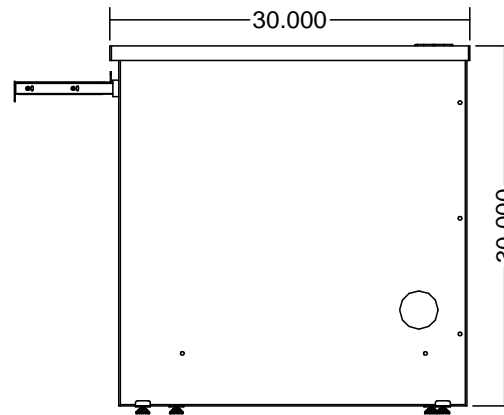
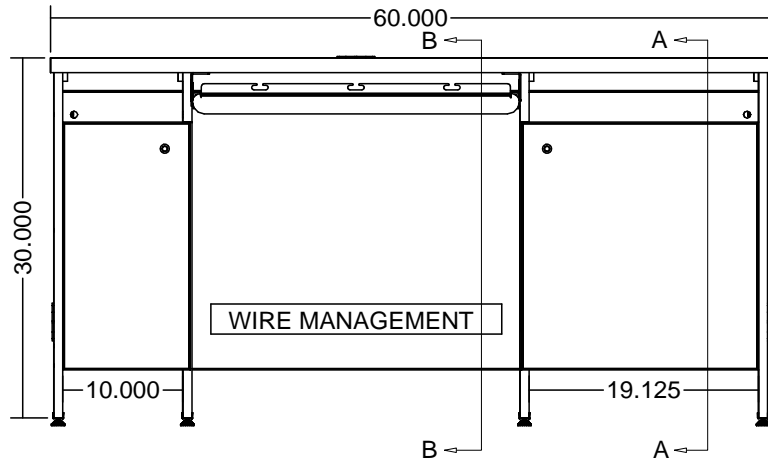
REVISIONS				TOLERANCES	PART NAME	
SYM	DATE	BY	DESCRIPTION	UNLESS SPECIFIED OTHERWISE	TDT-882628-XXX	
				DECIMALS	DATE:	DRWN BY:
				.X : ___	SCALE:	CAD NO.
				.XX : ___	CHK'D BY:	CNC NO.
				.XXX : ___	NOTICE: This drawing is the property of CRT Supply, Inc. dba SMARTdesks and contains proprietary information that is not to be used except in the consideration of bids or proposals tendered herewith. Reproductions or copying of the drawing, in whole or in part, is prohibited.	
				ANGLE : ___	PRODUCT GROUP	
					DRAWING NO. PO# 6603	
					REV.	



where design meets technology™
 800.770.7042
 www.Smartdesks.com

DRAWING NO. PO# 6603

MATERIAL:
 FINISH:
 EDGE:



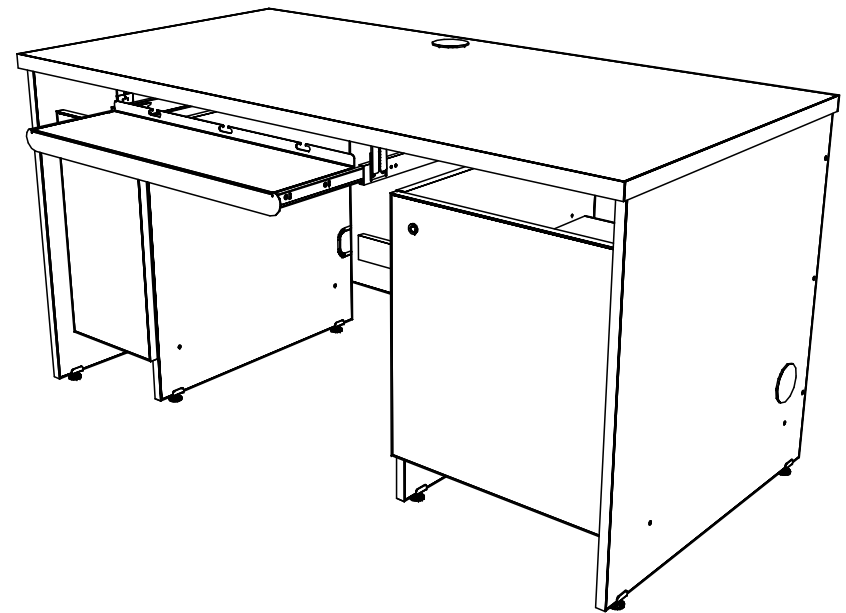
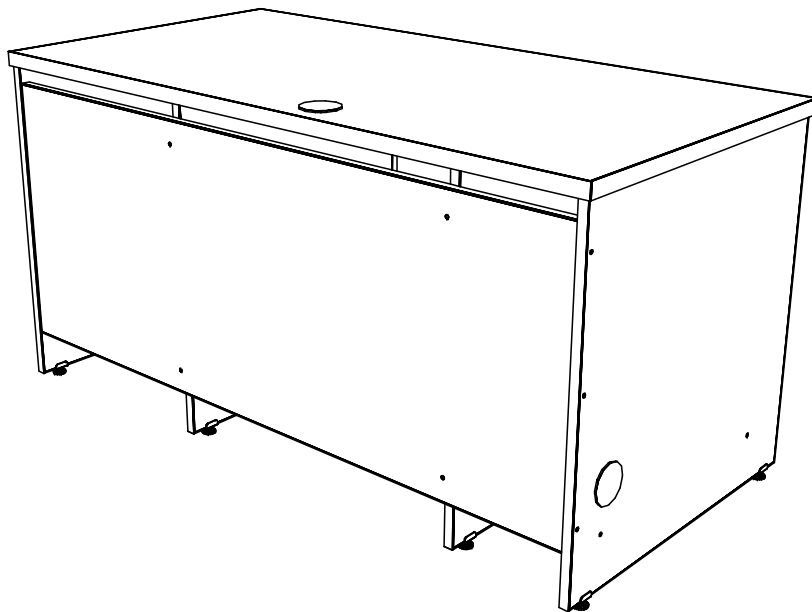
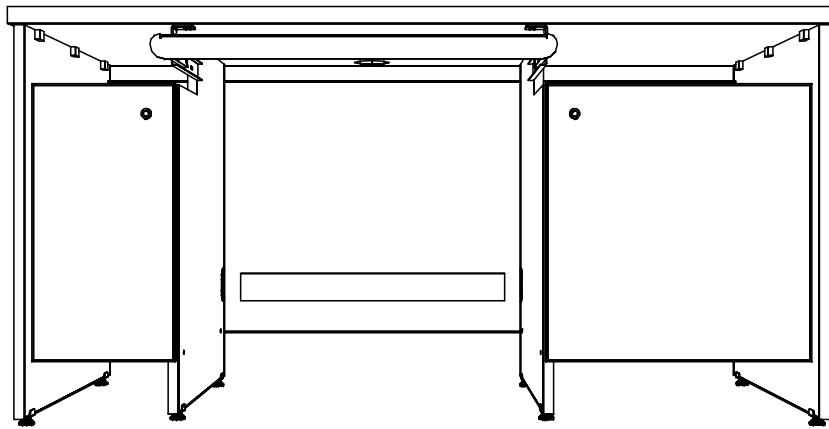
REVISIONS			
SYM	DATE	BY	DESCRIPTION

TOLERANCES	
UNLESS SPECIFIED OTHERWISE	
DECIMALS	
.X	
.XX	
.XXX	
ANGLE	

PART NAME	
IDT-603030-CKX	
DATE:	DRWN BY:
SCALE:	CAD NO.:
CHK'D BY:	CNC NO.:
<small>NOTICE: This drawing is the property of GBT Supply, Inc. dba SMARTdesks and contains proprietary information that is not to be used except in the consideration of bids or proposals tendered herewith. Reproductions or copying of the drawing, in whole or in part, is prohibited.</small>	


where design meets technology™
 800.770.7042
 www.Smartdesks.com
PRODUCT GROUP
 DRAWING NO. **PO# 7462** REV.

MATERIAL:
 FINISH:
 EDGE:



REVISIONS				TOLERANCES UNLESS SPECIFIED OTHERWISE DECIMALS	PART NAME IDT-603030-CKX	DATE:		DRWN BY:	
SYM	DATE	BY	DESCRIPTION			SCALE:	CAD NO.	CHK'D BY:	CNC NO.

NOTE: This drawing is the property of GBT Supply, Inc. dba SMARTdesks and contains proprietary information that is not to be used except in the consideration of bids or proposals tendered herewith. Reproductions or copying of the drawing, in whole or in part, is prohibited.

SMARTDESKS
where design meets technology™

800.770.7042
www.Smartdesks.com

PRODUCT GROUP:

DRAWING NO. **PO# 7462** REV.