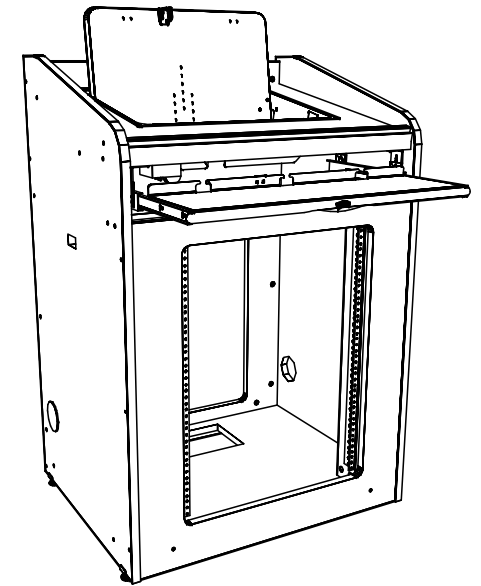
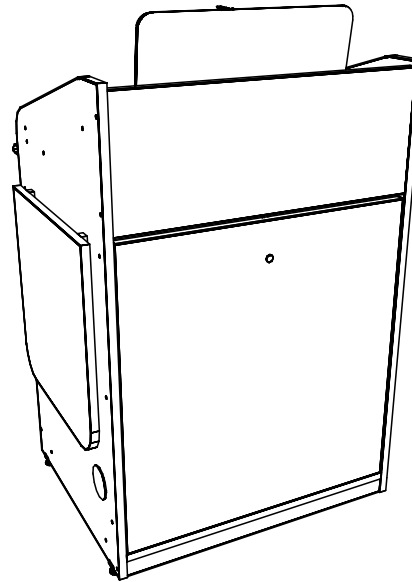
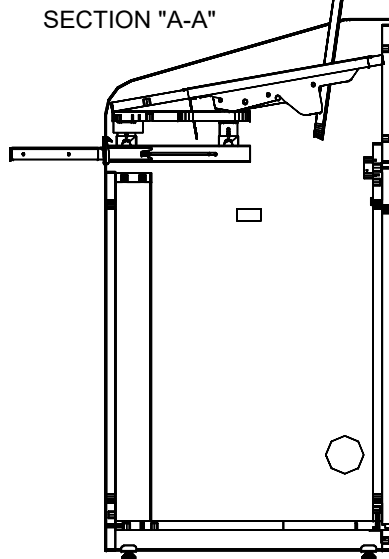
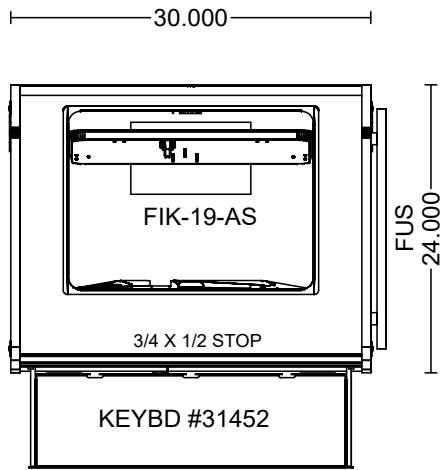
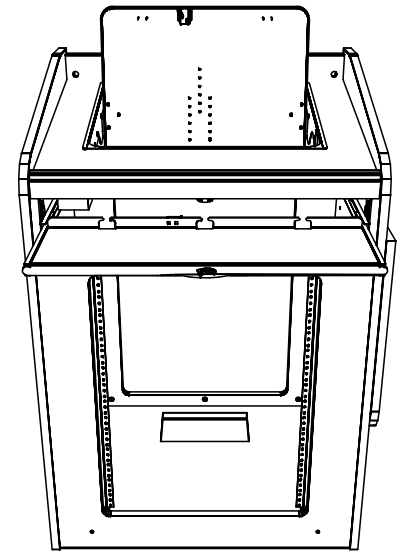
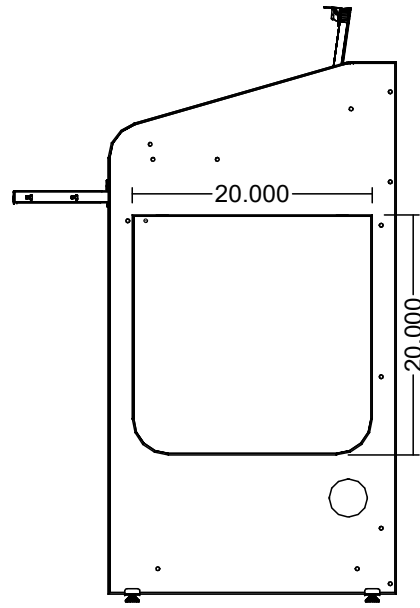
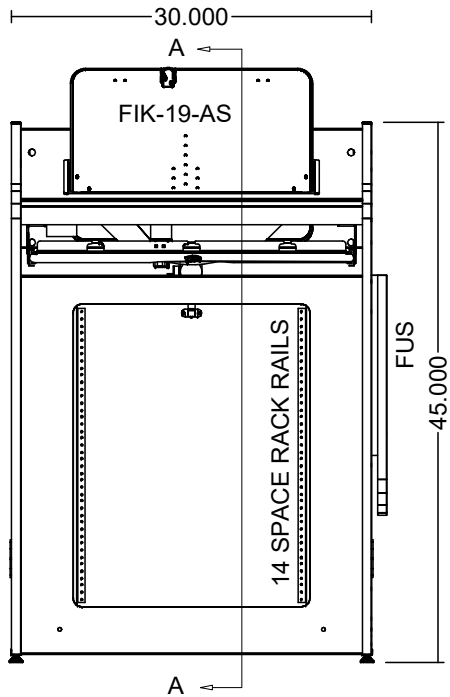
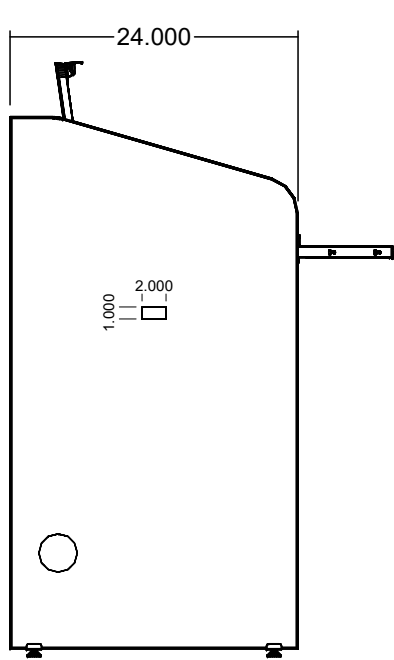


MATERIAL:
 FINISH:
 EDGE:



REVISIONS				TOLERANCES	PART NAME	
SYM	DATE	BY	DESCRIPTION	UNLESS SPECIFIED OTHERWISE	MFI-302445-K19-FR	
				DECIMALS	DATE:	DRWN BY:
				.X	SCALE:	CAD NO.
				.XX	CHK'D BY:	CNC NO.
				.XXX	NOTICE: This drawing is the property of CRT Supply, Inc. dba SMARTdesks and contains proprietary information that is not to be used except in the consideration of bids or proposals tendered herewith. Reproductions or copying of the drawing, in whole or in part, is prohibited.	
				ANGLE	PRODUCT GROUP	
					DRAWING NO.	
					REV.	

