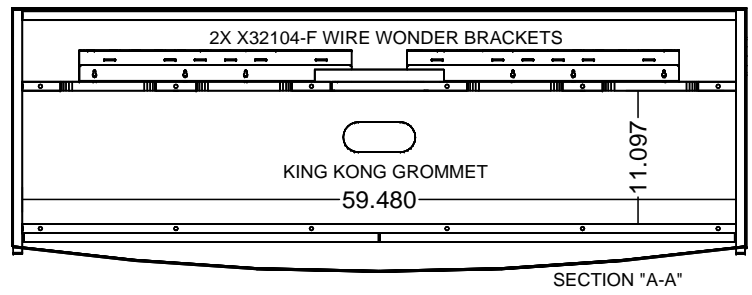
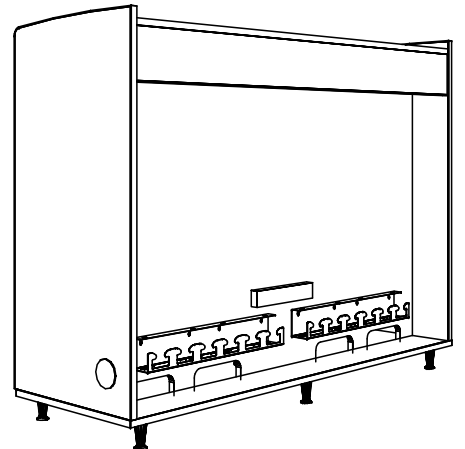
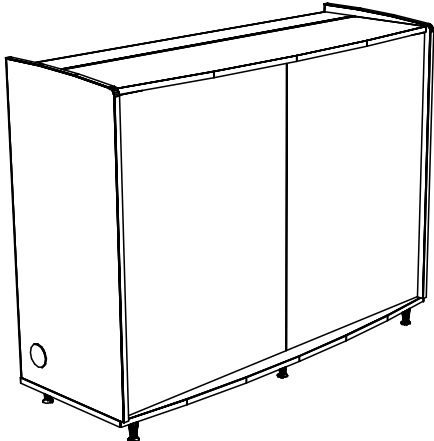
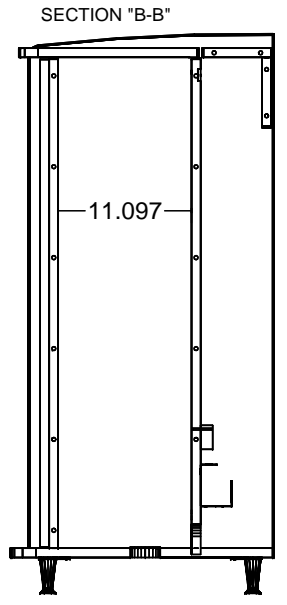
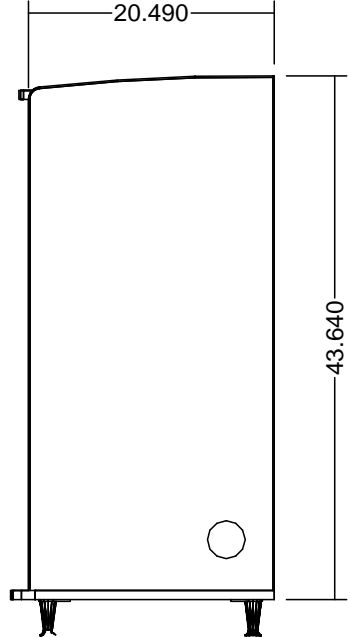
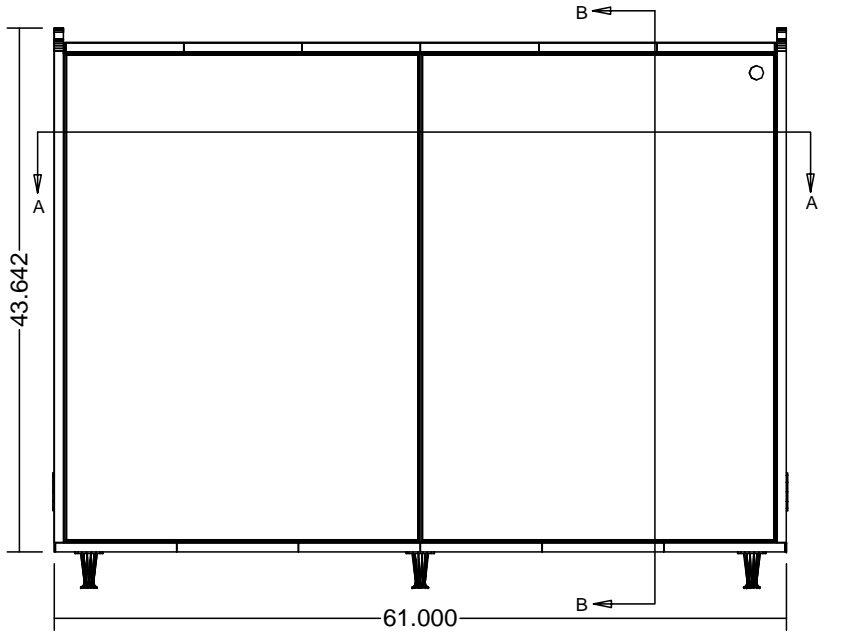


MATERIAL:
 FINISH:
 EDGE:



REVISIONS			
SYM	DATE	BY	DESCRIPTION

TOLERANCES
UNLESS SPECIFIED OTHERWISE
DECIMALS
.X : —
.XX : —
.XXX : —
ANGLE : —

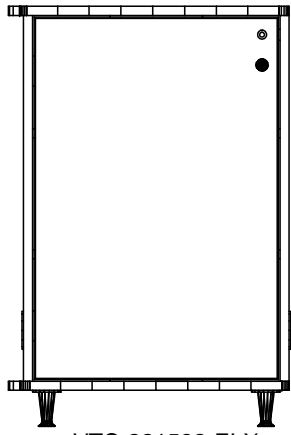
PART NAME	DATE	DRWN BY:
VTC-612047-MXX		
SCALE:		CAD NO.
CHK'D BY:		CNC NO.

NOTICE: This drawing is the property of GBT Supply, Inc. dba SMARTdesks and contains proprietary information that is not to be used except in the consideration of bids or proposals tendered herewith. Reproductions or copying of the drawing, in whole or in part, is prohibited.

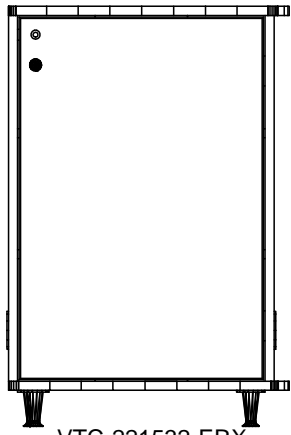
SMARTdesks™
 514F Progress Drive
 Linthicum, MD 21090
 800.770.7042
 www.Smartdesks.com

PRODUCT GROUP
 DRAWING NO. **PO# S541** REV.

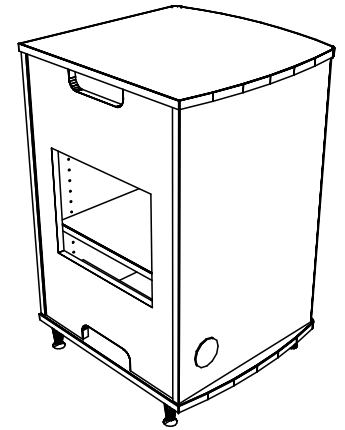
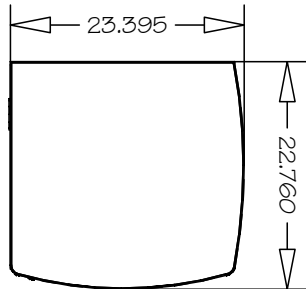
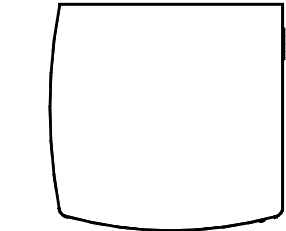
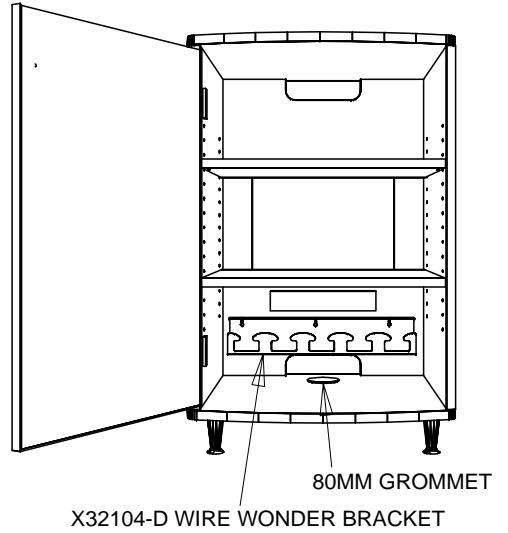
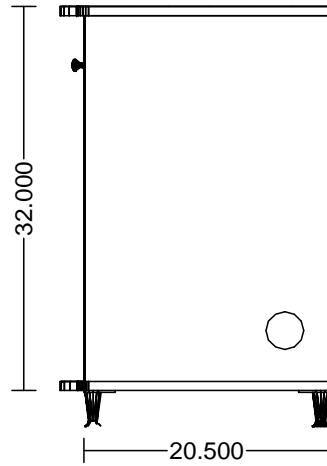
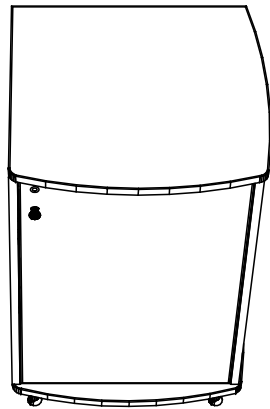
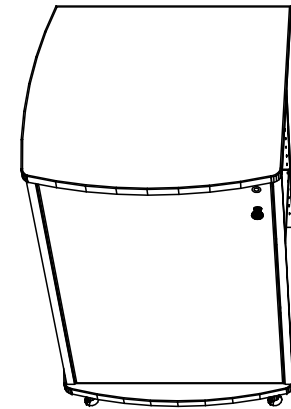
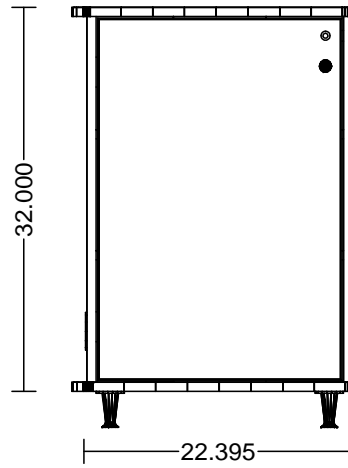
MATERIAL:
 FINISH:
 EDGE:



VTC-221532-ELX



VTC-221532-ERX



REVISIONS				TOLERANCES	PART NAME		 514F Progress Drive Linthicum, MD 21090 800.770.7042 www.Smartdesks.com
SYM	DATE	BY	DESCRIPTION	UNLESS SPECIFIED OTHERWISE	VTC-221532-ELX,ERX		
				DECIMALS	DATE:	DRWN BY:	<small>PRODUCT GROUP</small> DRAWING NO. PO# S541
				.X : _____	SCALE:	CAD NO.:	
				.XX : _____	CHK'D BY:	CNC NO.:	
				.XXX : _____	<small>NOTICE: This drawing is the property of CBT Supply, Inc. dba SMARTdesks and contains proprietary information that is not to be used except in the consideration of bids or proposals tendered herewith. Reproductions or copying of the drawing, in whole or in part, is prohibited.</small>		
				ANGLE : _____			REV.