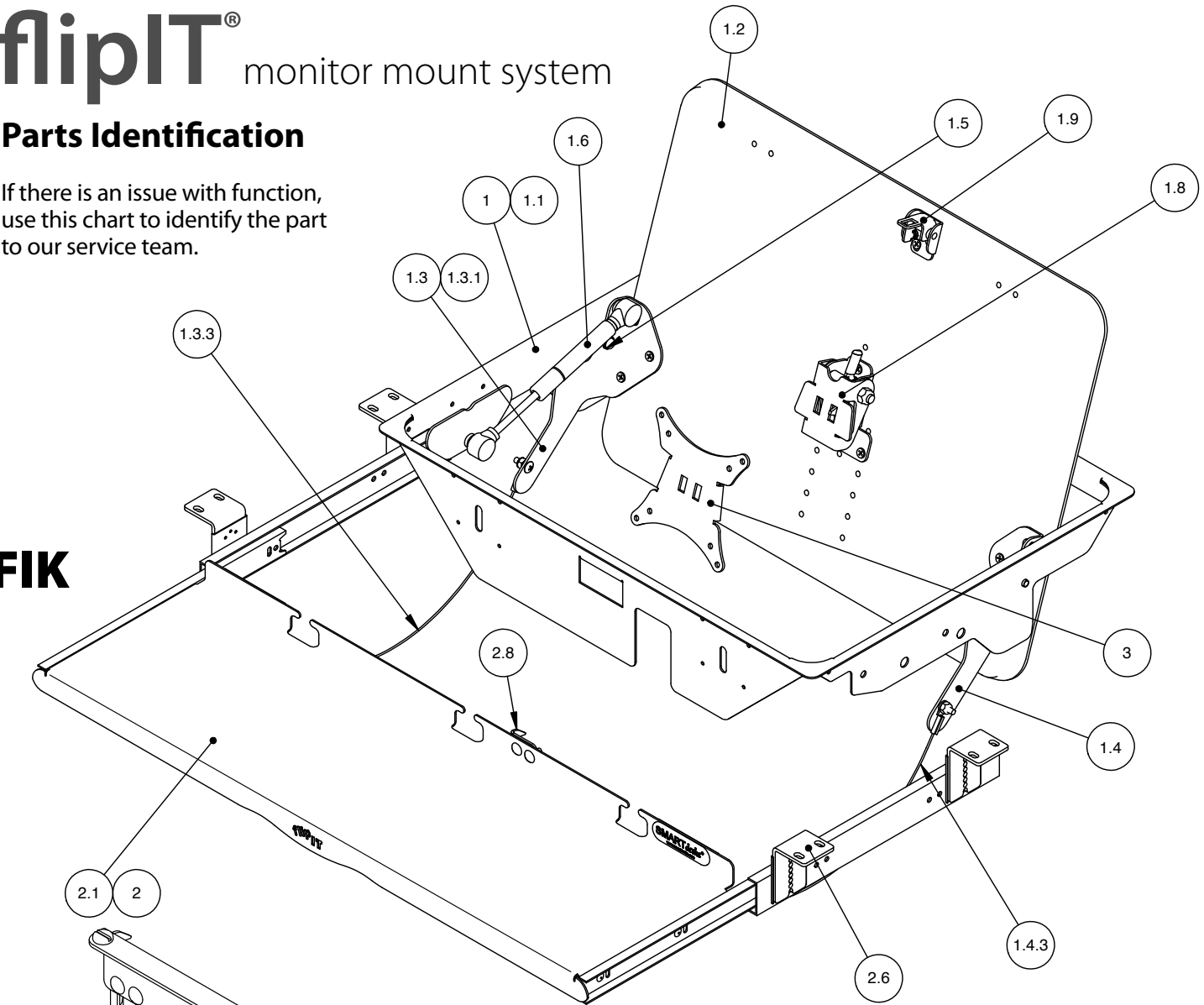


flipIT[®] monitor mount system

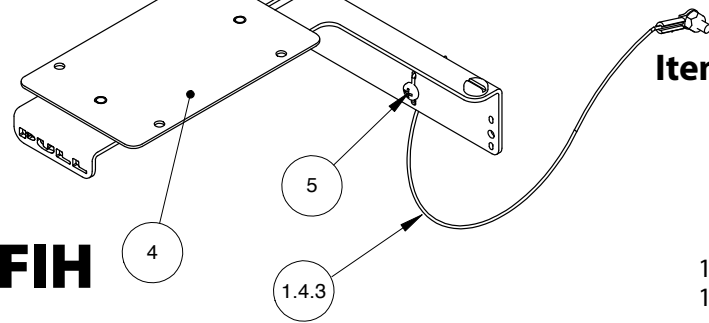
Parts Identification

If there is an issue with function, use this chart to identify the part to our service team.

FIK



FIH



Item No.	Qty.	Part ID	Description
1	1	31500	flipIT FIK H-19 Desktop Assembly
1	1	31450	flipIT FIK H-23 Desktop Assembly
1.1	1	31498	Grommet / Subassembly
1.2	1	31499	Top Lid
1.3	1	29784	LH Cable Arm Assembly
1.3.1	1	28473-LH	LH Arm Catch Assembly
1.3.3	1	29763	Cable Assembly
1.4	1	29785	RH Cable / Arm Assembly
1.4.3	1	29763	Cable Assembly
1.5	2	27332	Bushing
1.6	1	27919	Gas Spring
1.8	1	28190	Flat Screen Tilt Assembly
1.9	1	31459	Pivot Keeper Assembly
2	1	31462	26" w Keyboard Tray Assembly
2.1	1	31455	26" Keyboard Tray Subassembly
2.6	4	29222	Slide Mounting Bracket
2.8	1	31456	Latch Hook
3	1	27888	VESA Mounting Bracket
4	1	31534	Latch / PULL Handle Assembly
5	1	TS295	#10-32 3/8 Trilobe



www.smartdesks.com
800 770 7042