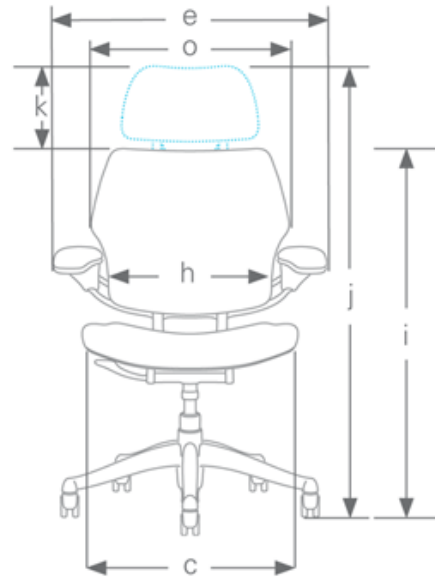


Freedom Executive Chair

SPECIFICATIONS



CODE	DESCRIPTION	MEASUREMENT
a	Seat Depth (from face of lumbar to front of seat)	16.25" – 18.5"
b	Seat Height (floor to compressed front center of seat cushion)	16" – 21" standard 15.25" – 19" low cylinder 17" – 22.25" tall cylinder
c	Seat Width	20.5" – 28.5" high cylinder chair 21"
d	Adjustment Range	3" in 0.25" increments
e	Chair Width	27.25"
f	Adjustment Range	6" in 0.33" increments
g	Armrest Length (from face of lumbar to front of armrest)	13"
h	Distance between Armrests (front inside edge)	20" standard 18.25" - 21.25" advanced
i	Height (no headrest)	33.5" - 41.5" standard 32.75" - 39.5" low cylinder 34.5" - 42.75" tall cylinder
j	Height (with headrest)	38" - 49" high cylinder 43" - 53" standard 42.25" - 51" low cylinder 44" - 54.25" tall cylinder
k	Headrest Height Adjustment Range	47.5" - 60.5" high cylinder 5"
l	Base Diameter	25"
m	Foot Ring Diameter	18" or 21"
n	Foot Ring Height Adjustment (from floor)	6" - 11"

o	Backrest Width	21"
CODE	DESCRIPTION	MEASUREMENT
a	Seat Depth (from face of lumbar to front of seat)	16.25" – 18.5"
b	Seat Height (floor to compressed front center of seat cushion)	16" – 21" standard 15.25" – 19" low cylinder 17" – 22.25" tall cylinder 20.5" – 28.5" high cylinder chair
c	Seat Width	21"
d	Adjustment Range	3" in 0.25" increments
e	Chair Width	27.25"
f	Adjustment Range	6" in 0.33" increments
g	Armrest Length (from face of lumbar to front of armrest)	13"
h	Distance between Armrests (front inside edge)	20" standard 18.25" - 21.25" advanced
i	Height (no headrest)	33.5" - 41.5" standard 32.75" - 39.5" low cylinder 34.5" - 42.75" tall cylinder
j	Height (with headrest)	38" - 49" high cylinder 43" - 53" standard 42.25" - 51" low cylinder 44" - 54.25" tall cylinder
k	Headrest Height Adjustment Range	47.5" - 60.5" high cylinder 5"
l	Base Diameter	25"
m	Foot Ring Diameter	18" or 21"
n	Foot Ring Height Adjustment (from floor)	6" - 11"
o	Backrest Width	21"
CODE	DESCRIPTION	MEASUREMENT
a	Seat Depth (from face of lumbar to front of seat)	16.25" – 18.5"
b	Seat Height (floor to compressed front center of seat cushion)	16" – 21" standard 15.25" – 19" low cylinder 17" – 22.25" tall cylinder 20.5" – 28.5" high cylinder chair

Scope of Users

Standard chair fits more than 95% of the office population

- 5'0" Woman to 6'4" Man
- 100 to 300 pounds

Users outside the standard range can be accommodated by:

- Low or Tall Cylinder
 - Advanced Armrests
-

Weight

39lbs.

Backrest Recline

22° recline plus 7° backrest tilt

Reference Angle between Seat and Back

100° to 129°

Advanced Task Armrests

- Horizontal angle change from elbow pivot point
 - New arm assembly features clean aesthetic and improves efficiency of use, allowing the user to adjust the arms with just one hand
-

Headrest Radial Motion (automatic motion during recline)

30°

Lumbar Support Increase in Recline

1"

Warranty Information

15 Years, 24/7 Warranty

Fabric/Cushions/Arm Pads: 5 Years, Single-Shift Warranty