

# Interface 2



**Black**



**Brushed Aluminum**



**Brushed Stainless**



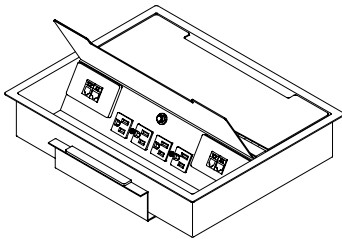
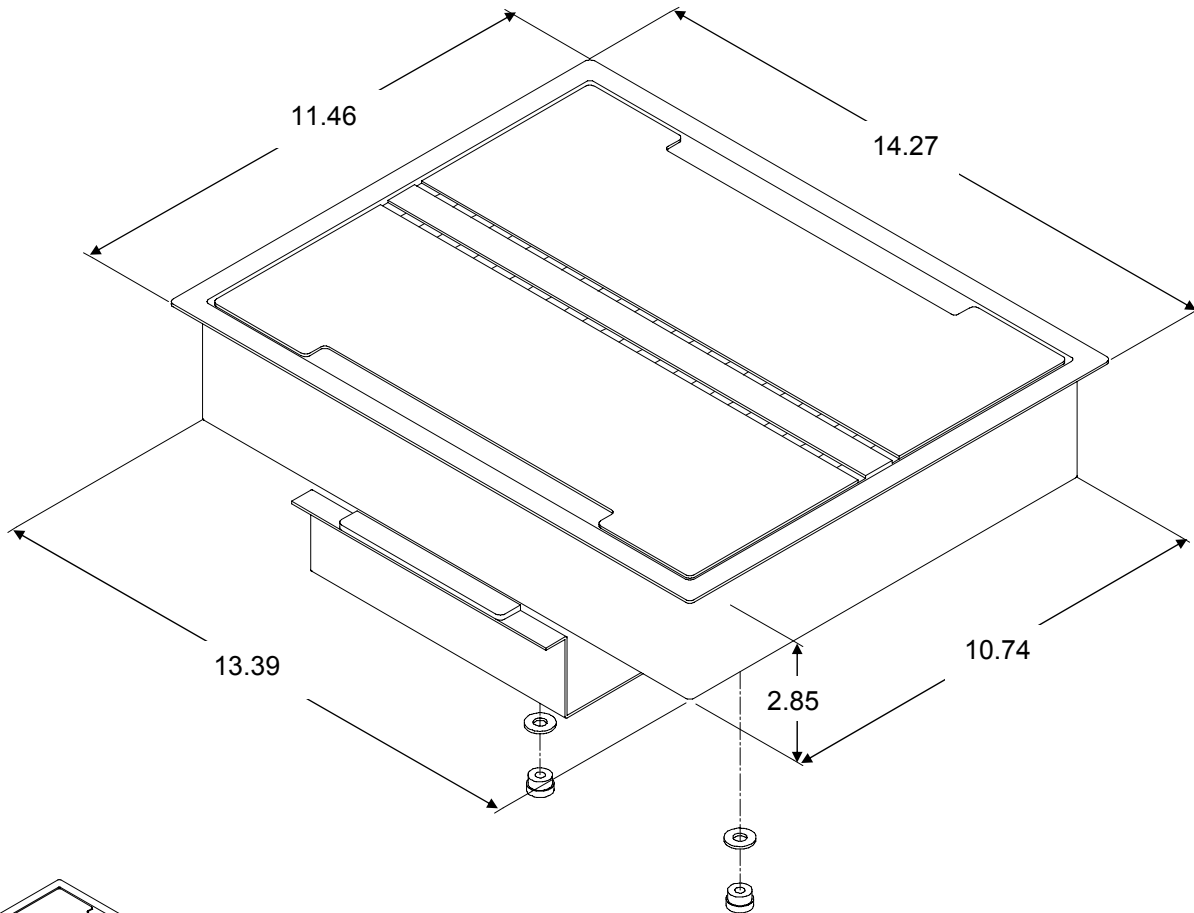
[www.smartdesks.com](http://www.smartdesks.com)

800 770 7042

©2007 CBT Supply, Inc. All rights reserved.

# INTERFACE II TT

## Specification Sheet



SHOWN WITH LID OPEN &  
OPTIONAL TEL-COM  
PLATES & CONNECTORS

### Product Specifications

- Fits table thickness between 7/8" – 2"
- Standard finish is black powder coat with light textured or brushed stainless steel
- Available as corded or hard wired
- Recommended table cutout 13-5/8" x 10-15/16"
- Corded units are UL Listed and CSA Certified
- Hard Wired units are CSA Certified

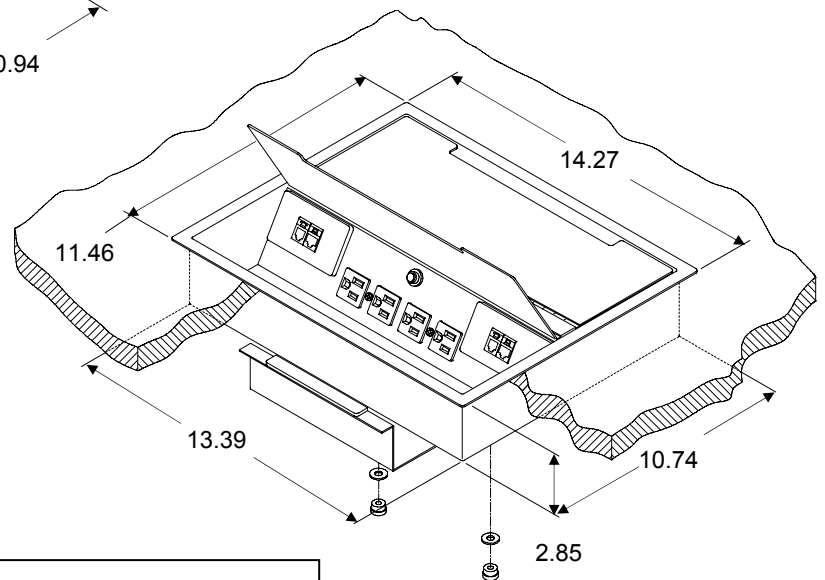
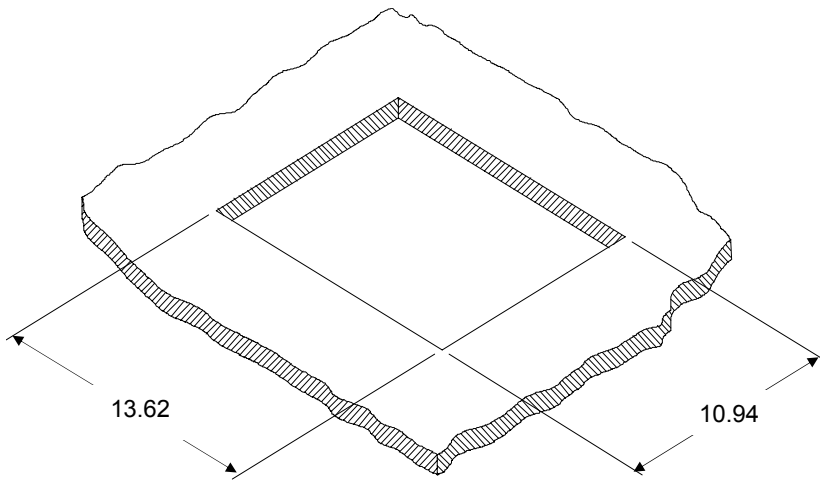


# Interface II TT Ordering Information

Interface II TT Standard Product Configurations	
Ordering Number	Product Configuration—2 Power Options
INTRFC II TT SC	Tabletop unit, 8 power, Cutouts for up to 8 telecom plates, 72" power cord, Black textured finish. UL Listed and CSA Certified.
INTRFC I TT HW	Tabletop unit, 8 power, Cutout for up to 8 telecom plates, 72" metal flex cable, Black textured finish. CSA Certified.
INTRFC II TT DC	Tabletop unit, 8 power, Cutout for up to 8 telecom plates, 72" power cord, receptacle on bottom for convenience outlet, Black textured finish.
INTRFC II TT AL	Tabletop unit, 8 power, Cutouts for up to 8 telecom plates, 72" power cord, Brushed and anodized aluminum finish.
INTRFC II TT SS	Tabletop unit, 8 power, Cutout for up to 8 telecom plate, 72" power cord, Brushed Stainless Steel finish. UL Listed and CSA Certified.
INTRFC II TT E	Interface II TT unit not wired for Chicago, New York and Los Angeles. All parts are included for wiring on site. UL Listed.

# Interface II TT

## Installation Instructions



### Installation Instructions

1. Select the location on the table surface for the installation of the Interface
2. Remove a section of the surface measuring 13-5/8" x 10-15/16".
3. Remove the Clamping Bracket from the underside of the Interface by removing the thumb-nuts and washers
4. Insert the Interface through the opening in the table surface until flange is flat on surface
5. From the underside of the table surface slide the Clamping Bracket over the threaded studs and secure to bottom of table surface with thumb nuts and washers. Tighten until Interface is snug.
6. Attach the power supply cord. - CAUTION: Test each outlet for continuity and grounding prior to use
7. Connect Tel-Com as needed and snap plates into cutouts of Interface.