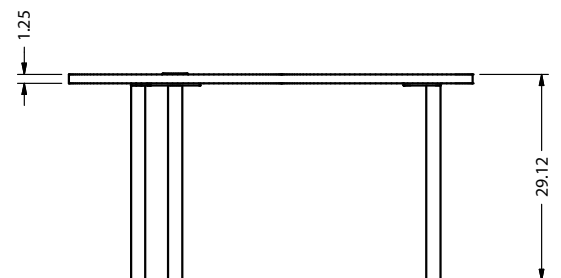
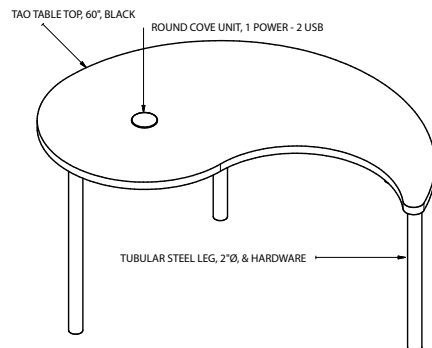
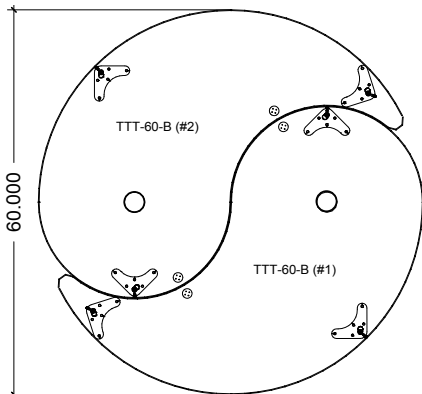


TAO | RIO SPECIFICATIONS

SMARTdesks®

TAO dynamic balance active learning round table TAOL-SET2-L-BL-WH-LC

- Tao Table Set of 2, black / white, yin-yang
- One black table with black legs and white cove
- One white table with white legs and black cove
- Each table consists of a curved teardrop top
- Round Cove unit has 1 power receptacle and 2 USB charging inserts (2.1 Amp) with a 108" power cord
- Includes 3 table connectors to attach tables in a variety of configurations (designed to work with Rio tables)
- Each table has three 2" diameter, 14 gauge steel post legs, locking casters.
- Legs are powder-coated black and white to match top color
- Top finished in high-pressure laminate with semirigid PVC edge trim.
- Each table is 60" w x 30" d x 29" h
- The set makes a round table with 60" diameter

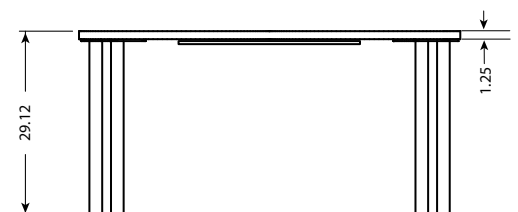
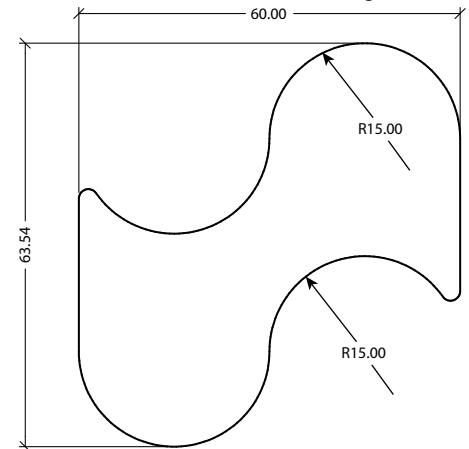
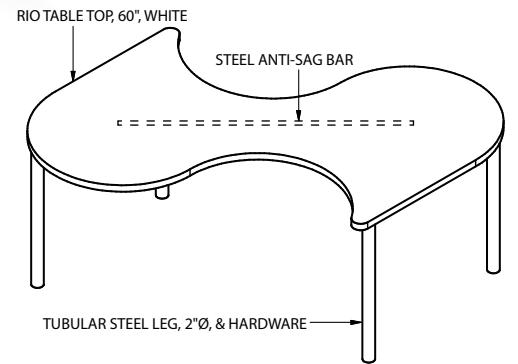


RIO SPECIFICATIONS

RIO dynamic balance active learning river table

RIOL-606429-L-XXXLC

- Rio Table double curve top
- Includes 6 table connectors to attach tables in a variety of configurations (designed to work with Tao tables)
- Four 2" diameter, 14 gauge steel post legs
- Legs are powder-coated
- Locking casters
- Anti-sag bar
- Top finished in high-pressure laminate with semi-rigid PVC edge trim.
- 60" w x 64" d x 29" h



TAO | RIO

SPECIFICATIONS

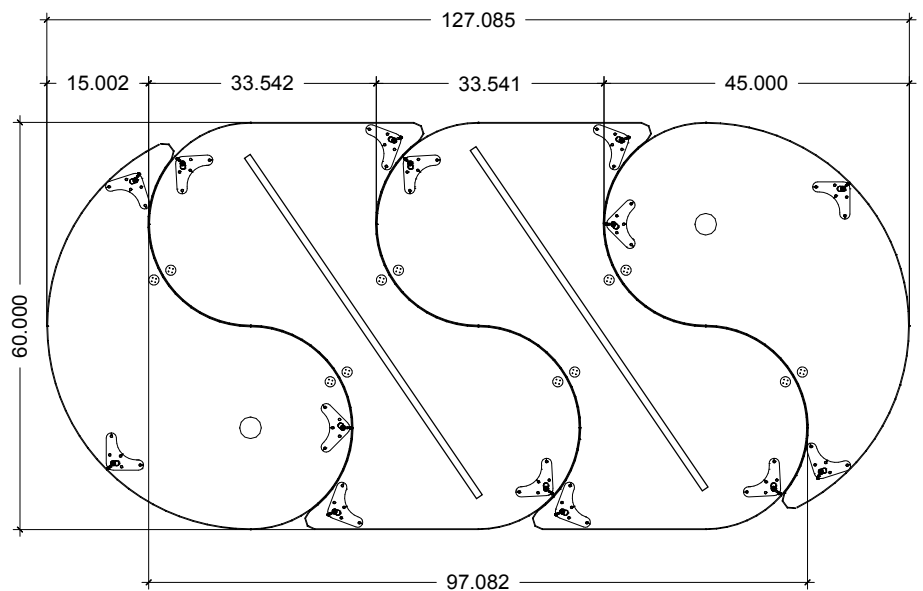
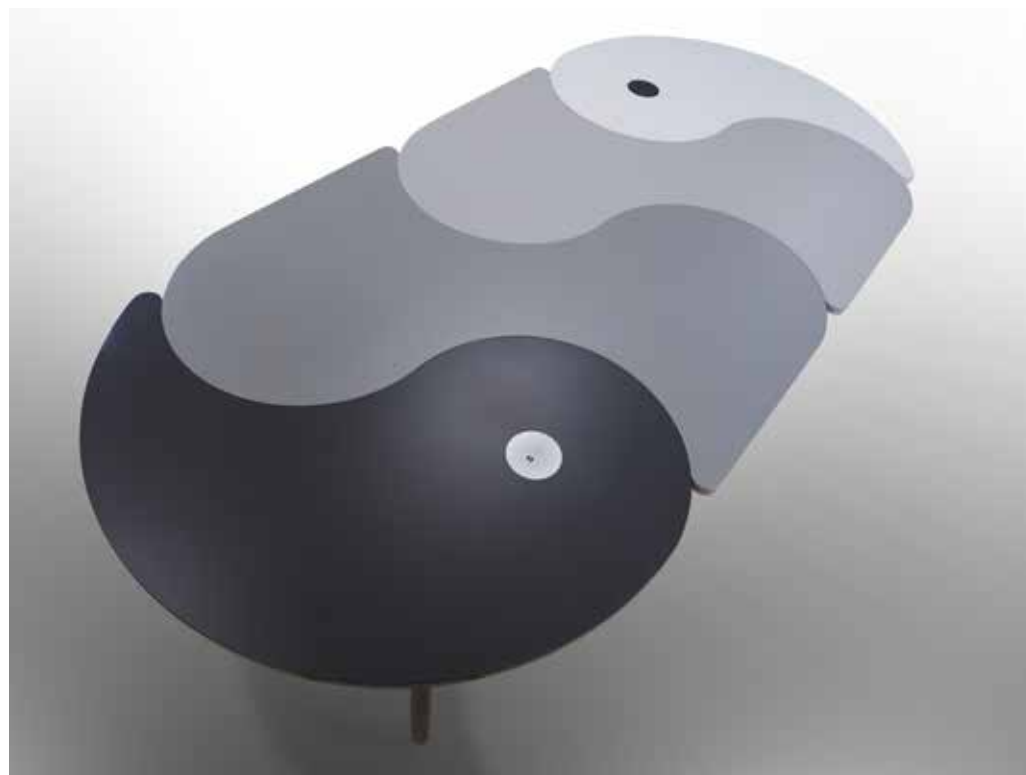
TAO|RIO dynamic balance active learning furniture system

TAOL-SET2-L-BL-WH-LC

RIOL-SET2-L-XXX-LC

- Tao Table Set of 2, black / white, yin-yang
- One black table with black legs and white cove
- One white table with white legs and black cove
- Each table consists of a curved teardrop top
- Round Cove unit has 1 power receptacle and 2 USB charging inserts (2.1 Amp) with a 108" power cord
- Includes 3 table connectors to attach tables in a variety of configurations (designed to work with Rio tables)
- Each table has three 2" diameter, 14 gauge steel post legs, locking casters.
- Legs are powder-coated black and white to match top color
- Top finished in high-pressure laminate with semirigid PVC edge trim.
- Two Rio Tables double curve tops
- Includes 6 table connectors to attach tables in a variety of configurations (designed to work with Tao tables)
- Four 2" diameter, 14 gauge steel post legs
- Legs are powder-coated
- Locking casters
- Anti-sag bar
- Top finished in high-pressure laminate with semi-rigid PVC edge trim.

Tables system may be used unitized, expanded, or separately.



TAO | RIO

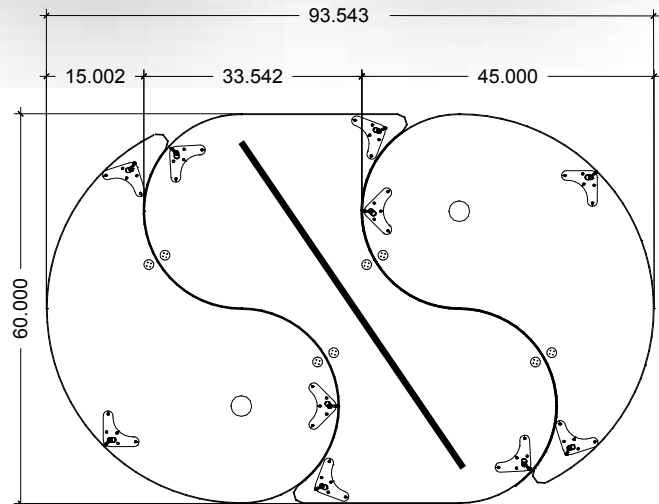
SPECIFICATIONS

TAO|RIO dynamic balance active learning furniture system

TAOL-SET2-L-BL-WH-LC
RIOL-606429-L-XXXLC



- Tao Table Set of 2, black / white, yin-yang
- One black table with black legs and white cove
- One white table with white legs and black cove
- Each table consists of a curved teardrop top
- Round Cove unit has 1 power receptacle and 2 USB charging inserts (2.1 Amp) with a 108" power cord
- Includes 3 table connectors to attach tables in a variety of configurations (designed to work with Rio tables)
- Each table has three 2" diameter, 14 gauge steel post legs, locking casters.
- Legs are powder-coated black and white to match top color
- Top finished in high-pressure laminate with semirigid PVC edge trim.
- One Rio Table double curve top
- Includes 6 table connectors to attach tables in a variety of configurations (designed to work with Tao tables)
- Four 2" diameter, 14 gauge steel post legs
- Legs are powder-coated
- Locking casters
- Anti-sag bar
- Top finished in high-pressure laminate with semi-rigid PVC edge trim.



Tables system may be used unitized, expanded, or separately.



SMARTdesks®

www.smartdesks.com

800 770 7042